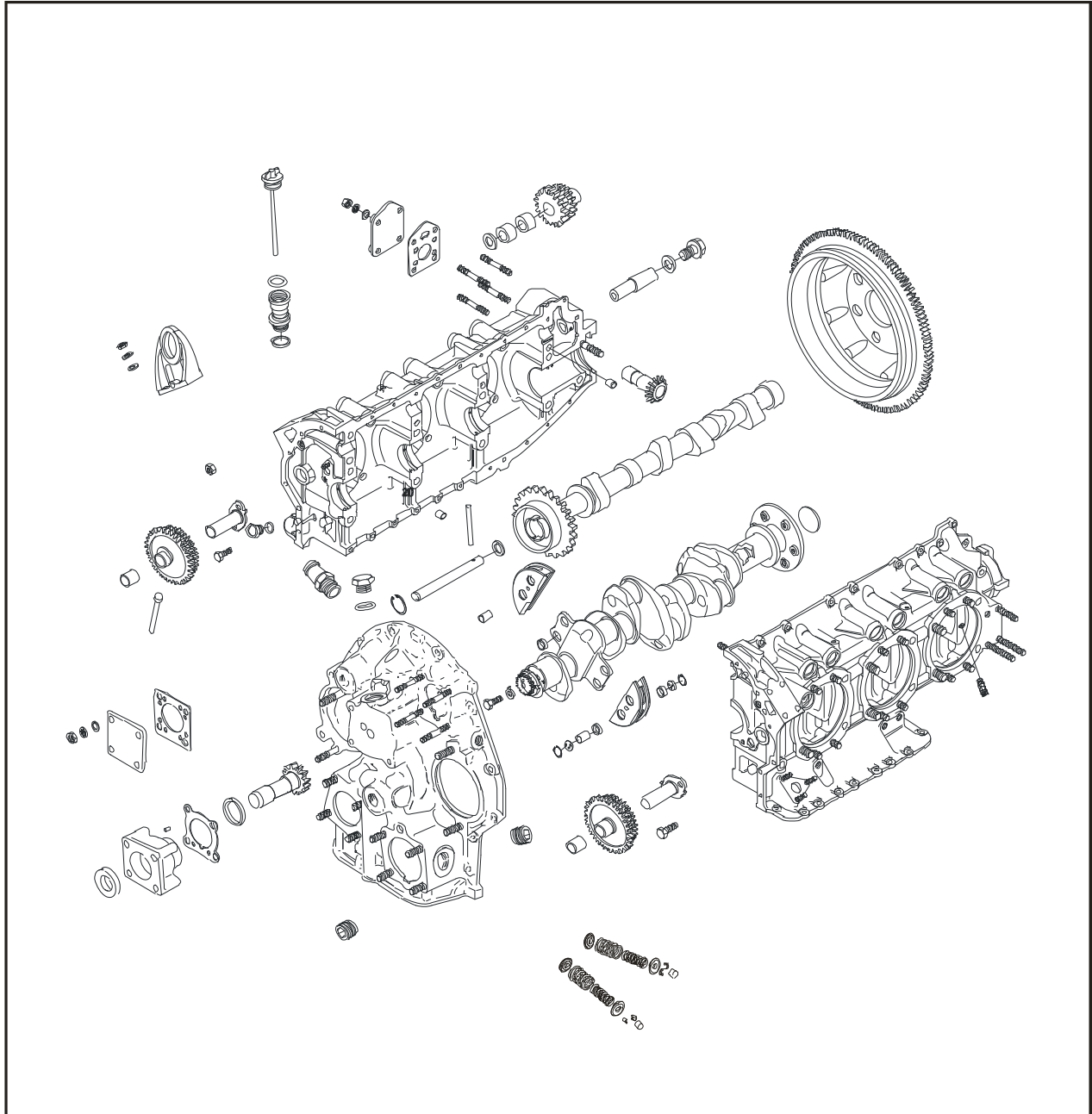


**LYCOMING**

# NUMERICAL PARTS HISTORY



SSP-499C

JULY 2012



**| This document is a reference guide and does not authorize the use of older superseded parts in place of new improved parts.**

**To do so without complete knowledge of the parts history could result in an UNAIRWORTHY condition.**

**INTRODUCTION**THIS PUBLICATION REPLACES SSP-499B DATED JUNE 2003

This document is a reference guide that shows the progression of superseded parts at Lycoming Engines as well as associated notes.

This Numerical Parts History is to be used in conjunction with the applicable engine Parts Catalog, Service Letters, Service Instructions, and Service Bulletins. Updated revisions will be supplied on a regular basis.

SSP-499C is the latest revision and has part number supersedures effective from SSP-499B up to May 1, 2012. Black vertical bars in the margin, as well as gray shading of part numbers and notes, are an indication of a revision from the previous edition of this document, SSP-449B

**HOW TO USE THIS NUMERICAL PARTS HISTORY**

This document has two sections: SECTION 1, NUMERICAL PARTS HISTORY – SUPERSEDURES and SECTION 2, NUMERICAL PART HISTORY – NOTES.

1. The first column in Section 1 titled ORIGINAL PART NUMBER is arranged in alphanumerical sequence. This column identifies all parts that have been superseded.
2. The second column is a brief descriptive name for the corresponding part number identified in Column 1. (In most instances, the name will not be the complete nomenclature as shown in the Description column in LYCOMING Engine Parts Catalogs.)
3. The superseding part number is listed in Column 3. There could be instances where this part number could also be superseded and shown in Column 1 at its appropriate alphanumeric sequence location. If the part number is not in Column 1, it is a currently active part number. If the letters N.L.A. (No Longer Available) are in this column, the part has been discontinued by LYCOMING and no replacement part is available.
4. If the word ALL is in Column 4, the supersedure is in effect in all instances where the part number from Column 1 was used. (All where applicable). It does not mean that the part was used on all engines.
5. Column 5 identifies applicable Service Publications and Notes from Section 2, of this publication. The notes apply to the situation at the time of the supersedure and are not necessarily indicative of the present situation. Service Publication numbers are given for better understanding of the present situation. Always use the latest revision of the referenced publication.

**SECTION 1  
NUMERICAL PARTS HISTORY SUPERSEDURES**

ORIGINAL PART NO.	NOMENCLATURE	SUPERSEDING PART NO.	USE	REFERENCES
AN101122	BOLT	N.L.A.		
AN102010	BOLT	LW-25S0.77	ALL	NOTE 201
AN102134	BOLT	STD-1860	ALL	
AN115734	SCREW	STD-1860	ALL	
AN115907	SCREW	STD-2208	ALL	
AN123029	GASKET	06E19769-0.75	ALL	
AN123857	SEAL "O"RING	MS29513-007	ALL	
AN123908	"O" RING	AS3570-248		
AN124001	SEAL	MS29513-241	ALL	
AN124003	SEAL	AN124001	ALL	
AN280H406	KEY	STD-1973	ALL	
AN3-5	BOLT	STD-1650		TIO-540 SERIES
AN3-10	BOLT	N.L.A.		
AN3104-1	ELBOW ASSY.	N.L.A.		
AN3104-2	ELBOW ASSY.	N.L.A.		
AN3-11	BOLT	AN3-14		NOTE 201, NOTE 406
AN3-14A	BOLT	LW-10-1.44		NOTE 407
AN3-15A	BOLT	AN3-14A	ALL	
AN3-16A	BOLT	N.L.A.		
AN315-4R	NUT	STD-9	ALL	
AN315-5R	NUT	STD-37	ALL	
AN320-4	NUT	STD 1409		NOTE 412
AN345C10	NUT	MS35650-304	ALL	
AN355-7	NUT	AN310-7	ALL	
AN363-428	NUT	STD-673	ALL	
AN364-624C	NUT	STD-1695	ALL	
AN365-1032	NUT	AN365-1032C	ALL	
AN365-1032C	NUT	MS-21045-3	ALL	
AN365-420C	NUT	STD-2044	ALL	
AN365-632A	NUT	MS21044N06	ALL	
AN365-632C	NUT	AN365-632A	ALL	
AN3-7	BOLT	AN3-11		NOTE 201, NOTE 405
AN3-7A	BOLT	N.L.A.		
AN380-3-3	PIN	N.L.A.		
AN380C3-3	PIN	STD- 713	ALL	
AN380C4-2	PIN	MS24665-366	ALL	
AN380C4-5	PIN	MS24665-372	ALL	
AN380C4-6	PIN	MS24665-374	ALL	
AN381-2-10	PIN	MS9245-27	ALL	
AN381-2-10	PIN	N.L.A.		
AN381-2-8	PIN	STD-68	ALL	
AN381-3-12	PIN	N.L.A.		

**SECTION 1  
NUMERICAL PARTS HISTORY SUPERSEDURES**

ORIGINAL PART NO.	NOMENCLATURE	SUPERSEDING PART NO.	USE	REFERENCES
AN381-4-20	PIN	MS24665-372	ALL	
AN381-4-22	PIN	MS24665-374	ALL	
AN3C4A	BOLT	N.L.A.		
AN3C-4A	BOLT	N.L.A.		S.I. 1190
AN4027-1	GASKET	STD-295	ALL	
AN4044-1	GASKET	20415	ALL	
AN4045-1	GASKET	8313	ALL	
AN4047-1	GASKET	MS9136-01	ALL	
AN4-13A	BOLT	N.L.A.		
AN4-14A	BOLT	N.L.A.		
AN4164-2	TERMINAL-SLEEVE	71489	ALL	
AN426AD3-4	RIVET-.09 DIA X .250 LG-SOLID	MS20426AD3-4	ALL	
AN4-16A	BOLT	AN4-15A	ALL	
AN4-20A	BOLT	STD- 1879		NOTE 408
AN4-31A	BOLT	STD-2123	ALL	
AN435-3-6	RIVET	STD-1017	ALL	
AN4-3A	BOLT	N.L.A.		
AN4-4A	BOLT	N.L.A.		
AN470AD3-6	RIVET	N.L.A.		
AN470AD4-6	RIVET	N.L.A.		
AN4-7A	BOLT	STD-1679	ALL	
AN486-2	CLEVIS	MS27975-2	ALL	
AN500-416-10	SCREW	AN500A416-10, STD 1925	ALL	NOTE 413
AN500-416-12	SCREW	STD-1874	ALL	
AN500-416-18	SCREW	STD-1916	ALL	
AN5007-20	CONE	LW-14577	ALL	
AN500-8-7	SCREW	N.L.A.		
AN500A10-14	SCREW	STD-1896	ALL	
AN500A10-8	SCREW	STD-82	ALL	
AN500A416-10	SCREW	STD-1296	ALL	
AN500A8-8	SCREW	N.L.A.		
AN501-10-14	SCREW	AN501-10-16	ALL	
AN501-10-7	SCREW	STD-665	ALL	
AN501-10-8	SCREW	N.L.A.		
AN501A416-6	SCREW	STD-1016	ALL	
AN505-8-7	SCREW	72281	ALL	
AN520-10-10	SCREW	N.L.A.		
AN520-10-8	SCREW	STD-692	ALL	
AN535-4-3	SCREW	STD-1901	ALL	
AN5541-1	THERMOCOUPLE	LW-14037	ALL	
AN6-12A	BOLT	AN6-12	ALL	
AN6-12A	BOLT	N.L.A.		

**SECTION 1  
NUMERICAL PARTS HISTORY SUPERSEDURES**

ORIGINAL PART NO.	NOMENCLATURE	SUPERSEDING PART NO.	USE	REFERENCES
AN6-13	BOLT	AN6-16		NOTE 409
AN6-14	BOLT	AN6-12, AN6-17		NOTE 410
AN6-14A	BOLT	AN6-14	ALL	
AN6-22A	BOLT	N.L.A.		
AN6270-3-10	HOSE ASSY.	AN6270-3D-0100	ALL	
AN6270-3-26	HOSE ASSY.	AN6270-3D-0260	ALL	
AN6270-3-28	HOSE ASSY.	AN6270-3D-235	ALL	
AN6270-3-32	HOSE ASSY.	AN6270-3-28	ALL	
AN6270-3D-0260	HOSE ASSY.	AN6270-3D-260	ALL	
AN6270-3D-235	HOSE ASSY.	N.L.A.		
AN6-27A	BOLT	N.L.A.	ALL	
AN6289D10	NUT	N.L.A.		
AN6289D16	NUT	N.L.A.		
AN6290-12	SEAL "O" RING	MS28778-12	ALL	
AN6-31A	BOLT	N.L.A.		
AN6-32	BOLT	N.L.A.		
AN6-50A	BOLT	N.L.A.		
AN6C13	BOLT	AN6C13A	ALL	
AN6C14A	BOLT	AN6C17A	ALL	
AN6C16A	BOLT	STD-2016	ALL	
AN6C27A	BOLT	AN6C30A	ALL	
AN6C30A	BOLT	N.L.A.		
AN6C5A	BOLT	N.L.A.		
AN735-28	CLAMP	72036		NOTE 414
AN735-28	CLAMP	N.L.A.		
AN735-32	CLAMP	N.L.A.	ALL	
AN737TW107	CLAMP	AN737TW114		NOTE 416
AN737TW114	CLAMP	LW-15592-8E48, LW-12553, STD-1241		NOTE 417
AN737TW30	CLAMP	LW-15592-8-08	ALL	
AN737TW34	CLAMP	STD 1640	ALL	
AN737TW34-38	CLAMP	STD 1914	ALL	NOTE 201
AN737TW38	CLAMP	LW-15592-8-12	ALL	
AN737TW46	CLAMP	LW-15592-8-16	ALL	
AN737TW66	CLAMP	LW-15592-8-24	ALL	
AN737TW74	CLAMP	LW-15592-8-28	ALL	
AN737TW82	CLAMP	AN737TW91, LW-15592-8-32, STD-1530		NOTE 415
AN737TW91	CLAMP	LW-15592-8-36	ALL	
AN7-41	BOLT	AN7-42		NOTE 411
AN742-5C	CLIP	73650	ALL	
AN742D16C	CLIP	N.L.A.		
AN74-3	BOLT	N.L.A.	ALL	

**SECTION 1  
NUMERICAL PARTS HISTORY SUPERSEDURES**

ORIGINAL PART NO.	NOMENCLATURE	SUPERSEDING PART NO.	USE	REFERENCES
AN74A10	BOLT	LW-25H1.13	ALL	
AN763-16	GASKET	06B21937	ALL	
AN777-8D	ELBOW	AS5163D08	ALL	
AN780-2	NIPPLE	STD-148	ALL	
AN780-4	NIPPLE	STD-822	ALL	
AN790-2	NIPPLE	STD-2166	ALL	
AN8-10A	BOLT - HEX HEAD	STD-2250	ALL	S.B.475D
AN814-10L	PLUG	03C21720	ALL	
AN8-14A	BOLT - HEX HEAD	STD-2251	ALL	S.B.475D
AN815-6	UNION	AN837-6, 75739, 72377		NOTE 418
AN815-6D	UNION	N.L.A.		
AN816-12-16B	NIPPLE	AN816-12-16C	ALL	
AN816-12-16C	NIPPLE	AN816-16	ALL	
AN816-16	NIPPLE	N.L.A.		
AN816-3	NIPPLE	AN823-3	ALL	NOTE 497
AN816-4-4D	NIPPLE	AN816-4-4	ALL	
AN816-5-4D	NIPPLE	N.L.A.		
AN816-6D	NIPPLE	75739		NOTE 201, NOTE 419
AN816-8D	NIPPLE	MS20823-8	ALL	NOTE 201
AN818-6J	NUT	N.L.A.	ALL	
AN821-6C	ELBOW	02A21169	ALL	
AN822-2	ELBOW	AN822-3	ALL	
AN822-3	ELBOW	MS20822-3	ALL	
AN822-4	ELBOW	MS20822-4	ALL	
AN822-4-4	ELBOW	MS20822-4-4, 75252, AN822-4, AN822-6		NOTE 420
AN822-5-4D	ELBOW	MS20822-5-4D	ALL	
AN822-6	ELBOW	76704, MS20822-6		NOTE 421
AN822-6-2	ELBOW	MS20822-6-2	ALL	
AN822-6-2D	ELBOW	N.L.A.		
AN822-6-6	ELBOW	MS20822-6-6	ALL	
AN822-6-6D	ELBOW	MS20822-6-6D	ALL	
AN822-6-8	ELBOW	MS20822-6-8	ALL	
AN822-6D	ELBOW	MS20822-6D	ALL	
AN822-8	ELBOW	MS20822-8	ALL	
AN823-3	ELBOW	MS20823-3	ALL	
AN823-4	ELBOW	MS20823-4		NOTE 422
AN823-6	ELBOW	MS20823-6	ALL	
AN823-6D	ELBOW	MS20823-6D	ALL	
AN823-8	ELBOW	MS20823-8	ALL	
AN823-8D	ELBOW	MS20823-8D,	ALL	
AN824-4	TEE	AN824-6, 02A21047		NOTE 423

**SECTION 1  
NUMERICAL PARTS HISTORY SUPERSEDURES**

ORIGINAL PART NO.	NOMENCLATURE	SUPERSEDING PART NO.	USE	REFERENCES
AN826-4D	TEE	N.L.A.		
AN833-3	ELBOW	75252		NOTE 424
AN833-4D	ELBOW	N.L.A.		
AN834-4D	TEE	N.L.A.		
AN837-6	ELBOW	74070	ALL	
AN838-12D	ELBOW	N.L.A.		
AN838-8	ELBOW	N.L.A.		NOTE 201
AN839-8D	ELBOW	N.L.A.		
AN840-10D	ADAPTER	LW-16999		NOTE 425
AN840-12D	FITTING, BREATHER	AN840-16D		NOTE 426
AN840-17	NIPPLE	N.L.A.		
AN840-9D	NIPPLE	N.L.A.		
AN844-10D	ELBOW	71140		NOTE 427
AN893-151	BUSHING	MS24397-151	ALL	
AN900-10	GASKET	STD-294	ALL	
AN900-12	GASKET	STD-351	ALL	
AN900-16	GASKET	06E19769-1.00	ALL	
AN900-28	GASKET	06E19769-1.75	ALL	
AN900-30	GASKET	06E19769-1.88	ALL	
AN900-5	GASKET	STD-1544	ALL	
AN900-7	GASKET	06E19769-0.44	ALL	
AN912-1	BUSHING	STD-949	ALL	
AN912-1S	BUSHING	STD-1932	ALL	
AN912-2D	BUSHING	N.L.A.		
AN915-2D	ELBOW	N.L.A.		
AN919-12	REDUCER	N.L.A.		
AN919-14	REDUCER	LW-12903	ALL	
AN924-10	NUT	LW-13487		NOTE 201
AN924-12D	NUT	N.L.A.		
AN924-8D	NUT	N.L.A.		
AN931-11S16	GROMMET	MS35489-19X	ALL	
AN931-12-17	GROMMET	AN931-12S17	ALL	
AN931-12S17	GROMMET	MS35489-20X	ALL	
AN931-12S23	GROMMET	N.L.A.		
AN931-14-20	GROMMET	MS35489-22X	ALL	
AN931-4S16	GROMMET	MS35489-8X	ALL	
AN931-6-10	GROMMET	MS35489-11X	ALL	
AN931-8-13	GROMMET	MS35489-14	ALL	
AN932-1	PLUG	STD-1339	ALL	
AN932-2	PLUG	1102	ALL	
AN932-3	PLUG	STD-783	ALL	
AN932-5	PLUG	STD-2229	ALL	



**SECTION 1  
NUMERICAL PARTS HISTORY SUPERSEDURES**

ORIGINAL PART NO.	NOMENCLATURE	SUPERSEDING PART NO.	USE	REFERENCES
AN932-7	PLUG	N.L.A.		
AN932-D8	PLUG	STD-2184	ALL	
AN935-8L	WASHER	N.L.A.	ALL	
AN936-A10	WASHER	STD-251	ALL	
AN936-A4	LOCKWASHER	STD-1901	ALL	
AN936-A416	WASHER	STD-160	ALL	
AN936-A5-16	WASHER	STD-475	ALL	
AN936B10B	WASHER	N.L.A.		
AN960-10	WASHER	STD-425	ALL	
AN960-416	WASHER	STD-8	ALL	
AN960-416L	WASHER	STD-696	ALL	
AN960-516	WASHER	STD-35	ALL	
AN960-516L	WASHER	STD-2205	ALL	
AN960-616	WASHER	STD-33	ALL	
AN960-8	WASHER	N.L.A.		
AN960-8	WASHER	STD-249	ALL	
AN960-C10	WASHER	N.L.A.		
AN960C416	WASHER	N.L.A.		
AN960C6	WASHER	N.L.A.	ALL	
AN960D516	WASHER	STD-1854	ALL	
E1046-41-8	BRACKET	N.L.A.		
E1064-10-1	BRACKET	6813 N.L.A.	ALL	
E1071-42-1	PLATE	N.L.A.		
E1134-109-10	CONDUIT ASSY.	N.L.A.		
E1134-109-20	CONDUIT ASSY.	N.L.A.		
E1134-109-30	CONDUIT ASSY.	N.L.A.		
E1134-109-50	CONDUIT ASSY.	N.L.A.		
E1134-110-10	CONDUIT ASSY.	N.L.A.		
E1134-110-20	CONDUIT ASSY.	N.L.A.		
E1134-110-30	CONDUIT ASSY.	N.L.A.		
E1134-110-40	CONDUIT ASSY.	59227 N.L.A.	ALL	
E1134-111-10	CONDUIT ASSY.	59273 N.L.A.	ALL	
E1134-111-20	CONDUIT ASSY.	59282 N.L.A.	ALL	
E1134-112-10	CONDUIT ASSY.	59280 N.L.A.	ALL	
E1134-112-20	CONDUIT ASSY.	59275 N.L.A.	ALL	
E1181-30-1	SLEEVE	5651 N.L.A.	ALL	
E1199-602-0812	CONDUIT ASSY.	N.L.A.	ALL	
E1199-602-0908	CONDUIT ASSY.	59274 N.L.A.	ALL	
E1199-602-1200	CONDUIT ASSY.	59281, 59277 N.L.A.		NOTE 483
E1199-602-1300	CONDUIT ASSY.	N.L.A.		
E1199-602-1808	CONDUIT ASSY.	59278 N.L.A.	ALL	
E1199-602-1908	CONDUIT ASSY.	N.L.A.		

**SECTION 1  
NUMERICAL PARTS HISTORY SUPERSEDURES**

ORIGINAL PART NO.	NOMENCLATURE	SUPERSEDING PART NO.	USE	REFERENCES
E1199-602-2512	CONDUIT ASSY.	N.L.A.		
E1199-603-0604	CONDUIT ASSY.	59279 N.L.A.	ALL	
E1199-603-0904	CONDUIT ASSY.	N.L.A.		
E1199-603-1304	CONDUIT ASSY.	N.L.A.		
E1199-603-1308	CONDUIT ASSY.	N.L.A.		
E1199-603-1600	CONDUIT ASSY.	N.L.A.		
E1199-603-1800	CONDUIT ASSY.	59276 N.L.A.	ALL	
E1199-603-1912	CONDUIT ASSY.	N.L.A.		
E1199-603-2004	CONDUIT ASSY.	N.L.A.		
E1199-603-2300	CONDUIT ASSY.	N.L.A.		
E1199-603-2804	CONDUIT ASSY.	N.L.A.		
E1348-13-10	CLAMP	54219 N.L.A.	ALL	N.L.A. NO REPLACEMENT
E1348-14-10	CLAMP	6783 N.L.A.	ALL	
E1360-9-3	GROMMET	50302	ALL	
E4240	EYELET	N.L.A.		
GMC120281	TEE	N.L.A.		
GMC120285	NIPPLE	N.L.A.		
GMC180120	BOLT	STD-1592	ALL	
LW 10144	CRANKCASE ASSY.	LW-11126	ALL	
LW 10481	PIPE	LW-13264		NOTE 253
LW-10009	ALTERNATOR	LW-14315	ALL	NOTE 201, S.I. 1154
LW-10023	PAINT	N.L.A.		
LW-10024	PAINT	N.L.A.		
LW-10037-1	SPACER	N.L.A.		
LW-10037-2	SPACER	N.L.A.		
LW-10038	HOSE ASSY.	LW-12876-4-066	ALL	NOTE 201
LW-10039	CYLINDER ASSY.	LW-11607	ALL	NOTE 200, S.B. 334
LW-10042	CONNECTOR	LW-14114	ALL	
LW-10044	TEE	75948	ALL	NOTE 201, S.B. 334
LW-10045	ELBOW	72376	ALL	NOTE 201, S.B. 334
LW-10049	TUBE ASSY.	LW-10445	ALL	
LW-10059	CRANKCASE ASSY.	LW-11034-S	ALL	
LW-10063	BRACKET	LW-13649	ALL	NOTE 201, S.I. 1339
LW-10066	SPACER	N.L.A.		
LW-10068	CAMSHAFT ASSY.	LW-12440	ALL	
LW-10069	CAMSHAFT & GEAR ASSY.	LW-12441	ALL	
LW-10070	CRANKCASE ASSY.	N.L.A.		
LW-10071	CRANKCASE ASSY.	N.L.A.		
LW-10075	TURBOCHARGER	LW-11336	ALL	
LW-10076	SEAT	LW-16475	ALL	S.B. 435
LW-10092	BELT	LW-13406	ALL	S.I. 1254

**SECTION 1  
NUMERICAL PARTS HISTORY SUPERSEDURES**

ORIGINAL PART NO.	NOMENCLATURE	SUPERSEDING PART NO.	USE	REFERENCES
LW-10098	CONTROLLER	48B21935		NOTE 391, S.I. 1474
LW-10105	HOUSING ASSY.	21A21534-03	ALL	
LW-10114	TUBE ASSY.	N.L.A.		
LW-10124	BEARING	LW-11021		NOTE 288, S.I. 1225
LW-10124	BEARING	18D23140	ALL	SI 1512
LW-10125	EXTENSION	N.L.A.		
LW-10135	PAINT	N.L.A.		
LW-10141-S	CRANKCASE ASSY.	LW-11963-S	ALL	NOTE 201, S.I. 1225
LW-10142-S	CRANKCASE ASSY.	LW-11964-S	ALL	NOTE 201, S.I. 1225
LW-10143	CRANKCASE ASSY.	LW-11574	ALL	NOTE 201, S.I. 1225
LW-10145	CRANKCASE ASSY.	LW-11127	ALL	S.B. 353
LW-10154	PIPE	N.L.A.		
LW-10170	PIPE	N.L.A.		
LW-10171	CARBURETOR	LW-10260	ALL	
LW-10172	MAGNETO	LW-349310-8	ALL	
LW-10175	CRANKCASE ASSY.	LW-11585	ALL	NOTE 201
LW-10177	CABLE ASSY.	LW-M-2421, LW-M-2422, LW-M-2375 or LW-721041-1	ALL	NOTE 250
LW-10178	HARNESS ASSY.	LW-620510-4	ALL	
LW-10179	REGULATOR	N.L.A.		S.I. 1154
LW-10185	REGULATOR	N.L.A.		S.I. 1154
LW-10188	MANIFOLD ASSY.	LW-16794	ALL	NOTE 201
LW-10189	MANIFOLD ASSY.	LW-16791	ALL	NOTE 201
LW-10191	TURBOCHARGER	LW-11976	ALL	
LW-10196	CARBURETOR	LW-10540	ALL	
LW-10207-S	PISTON	LW-11487-S		NOTE 289
LW-10207-S	PISTON - 8.7:1	14D23908		NOTE 289, S.I. 1526
LW-10256	ALTERNATOR	LW-12882, LW-18873	ALL	NOTE 290, S.I. 1154
LW-10257	ALTERNATOR	LW-18872	ALL	S.I. 1154
LW-10260	CARBURETOR	LW-12097, LW-12175		NOTE 291
LW-10263	HOUSING ASSY.	21A21534-08	ALL	
LW-10265	CRANKCASE ASSY.	LW-11992-S	ALL	
LW-10269	VALVE ASSY.	75944	ALL	S.I. 1255
LW-10280	CRANKCASE ASSY.	LW-13850-S	ALL	S.B. 392
LW-10284	GEAR	13S19649	ALL	S.B. 475
LW-10301	GEAR RETAINER	LW-13643	ALL	NOTE 201, S.I. 1299
LW-10302	GEAR RETAINER	LW-13642	ALL	NOTE 201, S.I. 1299
LW-10309	GEAR ASSY.	N.L.A.		
LW-10316	GEAR ASSY.	LW-14040	ALL	NOTE 201, S.I. 1230
LW-10321	SPRING	05S21021, 55K21022	ALL	NOTE 201, S.I. 1442
LW-10331	ADAPTER ASSY.	LW-14819	ALL	
LW-10350	ADAPTER ASSY.	LW-19072	ALL	NOTE 201

**SECTION 1  
NUMERICAL PARTS HISTORY SUPERSEDURES**

ORIGINAL PART NO.	NOMENCLATURE	SUPERSEDING PART NO.	USE	REFERENCES
LW-10350	ADAPTER ASSY.	N.L.A.		
LW-10356	TURBOCHARGER	LW-11968	ALL	
LW-10357	TURBOCHARGER	LW-11969	ALL	
LW-10372	ALTERNATOR	LW-14312	ALL	S.I. 1154
LW-10374	MANIFOLD ASSY.	N.L.A.		NOTE 205
LW-10384	CAP	N.L.A.		
LW-10386	EXTENSION	N.L.A.		
LW-10388	ELBOW	N.L.A.		
LW-10389	ELBOW	N.L.A.		
LW-10390	ELBOW	N.L.A.		
LW-10392	HARNES ASSY.	N.L.A.		
LW-10400	FERRULE	N.L.A.		
LW-10404	SLEEVE	N.L.A.	ALL	
LW-10406	CAP	N.L.A.		
LW-10407	RIVET	N.L.A.		
LW-10409	FUEL INJECTOR	LW-12586		NOTE 292,
LW-10416	SPACER	LW-11781		NOTE 201, S.I. 1242
LW-10419	TUBE ASSY.	LW-12098-4-412	ALL	
LW-10420	TUBE ASSY.	LW-12098-4-350	ALL	
LW-10421	ADAPTER ASSY.	LW-11784		NOTE 201, S.I. 1242
LW-10422	DRIVE ASSY.	LW-11785		NOTE 201, S.I. 1242
LW-10445	TUBE ASSY.	LW-12877-6S051		NOTE 293, S.B. 421
LW-10446	ELBOW	LW-12877-6S051		NOTE 293, S.B. 421
LW-10450	DRIVE ASSY.	LW-15546	ALL	NOTE 113
LW-10453	BOX, AIR INLET	LW-13436	ALL	
LW-10454	HOUSING ASSY.	56A21692-01	ALL	
LW-10456	HOUSING ASSY.	LW-15730	ALL	S.B. 417
LW-10468	VALVE ASSY.	LW-13437	ALL	
LW-10469	CRANKCASE ASSY.	N.L.A.		
LW-10474	HOSE ASSY.	LW-12879-6-380	ALL	
LW-10475	NOZZLE	LW-18267	ALL	
LW-10476	NOZZLE	LW-18266	ALL	
LW-10080	GAGE ASSY-RIGHT	N.L.A.		
LW-10081	GAGE ASSY-LEFT	N.L.A.		
LW-10482	HOUSING ASSY.	21A21533-04	ALL	
LW-10483	PIPE	LW-13266		NOTE 253
LW-10484	PIPE	LW-13267		NOTE 253
LW-10491	BODY ASSY.	LW-11839	ALL	NOTE 201, S.I. 1230, S.B. 524
LW-10494	TUBE ASSY.	75167		NOTE 294
LW-10496	CRANKSHAFT ASSY.	LW-17067	ALL	
LW-10501	HOUSING ASSY.	21A21651-01	ALL	
LW-10511	ALTERNATOR	LW-14313	ALL	S.I. 1154

**SECTION 1  
NUMERICAL PARTS HISTORY SUPERSEDURES**

ORIGINAL PART NO.	NOMENCLATURE	SUPERSEDING PART NO.	USE	REFERENCES
LW-10513	ALTERNATOR	LW-14351	ALL	S.I. 1154
LW-10518	MAGNETO	LW-51360-46	ALL	
LW-10525	CRANKSHAFT ASSY.	LW-17778	ALL	
LW-10539	CLAMP	LW-15858-75-400	ALL	
LW-10542	ELBOW	LW-11883	ALL	
LW-10543	ALTERNATOR	LW-18887	ALL	S.I. 1154
LW-10544	ALTERNATOR	LW-10966, LW-18888		NOTE 296, S.I. 1154
LW-10545-S	PISTON - 7.3:1	14D23907		S.I.1526
LW-10545-S	PISTON - 7.3:1	14D28056		TIO/TIGO-541 ENGINES ONLY
LW-10556	STARTER	LW-14215	ALL	S.I. 1154
LW-10559	FUEL INJECTOR	N.L.A.		
LW-10566	CAMSHAFT	LW-18842	ALL	
LW-10567	HOSE ASSY.	LW-13185-6-114	ALL	
LW-10572	BOLT	N.L.A.		
LW-10573	BOLT	N.L.A.		
LW-10574	SPACER	N.L.A.		
LW-10575	SHAFT	LW-13795		NOTE 201, S.I. 1310,
LW-10576	SHAFT	LW-19238	ALL	
LW-10577	BALL BEARING	78629	ALL	S.I. 1249
LW-10578	PULLEY & SHAFT ASSY.	LW-19265	ALL	NOTE 392
LW-10610	BAFFLE & CLIP ASSY.	LW-16362	ALL	
LW-10611	BAFFLE & CLIP ASSY.	LW-16363	ALL	
LW-10615	GAGE ASSY.	LW-14727	ALL	
LW-10616	TANK	LW-13425	ALL	NOTE 201
LW-10619	CARBURETOR	LW-13133, LW-14016, 61A26699	ALL	NOTE 297
LW-10621	CRANKSHAFT ASSY.	LW-17753	ALL	
LW-10623-S	CRANKCASE ASSY.	LW-11039-S	ALL	NOTE 201
LW-10625	BUSHING	LW-11904	ALL	NOTE 201, S.B. 344
LW-10639	CABLE ASSY.	LW-M-2424 & LW-M-2425 & LW-M-2376 or LW-721042-1	ALL	NOTE 250
LW-10641	HOUSING ASSY.	21C21538-02	ALL	
LW-10642	HOSE ASSY.	LW-13175-4-352	ALL	
LW-10646	CONNECTING ROD ASSY.	LW-19332-S	ALL	NOTE 200
LW-10649	HOUSING ASSY.	21A21533-01	ALL	
LW-10660	OIL FILTER ASSY.	N.L.A.	ALL	SSP-885-1
LW-10681	SLEEVE	N.L.A.		
LW-10691-S	CONNECTING ROD ASSY.	78030-S	ALL	NOTE 200
LW-10701	GROMMET	N.L.A.		
LW-10709	LINK	LW-14459	ALL	
LW-10715	HOSE ASSY.	LW-13176-8S220	ALL	

**SECTION 1  
NUMERICAL PARTS HISTORY SUPERSEDURES**

ORIGINAL PART NO.	NOMENCLATURE	SUPERSEDING PART NO.	USE	REFERENCES
LW-10718-S	CONNECTING ROD ASSY.	78030-S	ALL	NOTE 200, NOTE 298
LW-10725	CONNECTING ROD ASSY.	78028-S	ALL	NOTE 200, NOTE 298
LW-10726	CONNECTING ROD ASSY.	78029-S	ALL	NOTE 200, NOTE 298
LW-10730	BELT	74978	ALL	NOTE 201, S.I. 1254
LW-10731	ALTERNATOR	LW-18886	ALL	S.I. 1154
LW-10733	ALTERNATOR ASSY.	LW-18901	ALL	S.I. 1154
LW-10734-P10	DOWEL	N.L.A.		
LW-10751	SUMP ASSY.	LW-10830	ALL	NOTE 201
LW-10754	SHAFT	LW-11988	ALL	NOTE 201
LW-10762	ALTERNATOR	N.L.A.		S.I. 1154
LW-10768-S	CRANKCASE ASSY.	LW-11737-S	ALL	NOTE 201
LW-10776-S	CONNECTING ROD ASSY.	77450-S	ALL	
LW-10782	CRANKSHAFT ASSY.	LW-12335	ALL	
LW-10783	CRANKSHAFT ASSY.	LW-12336	ALL	
LW-10798	PIPE	N.L.A.		
LW-10800	CYLINDER ASSY.	LW-13539	ALL	NOTE 201
LW-10811	TERMINAL	N.L.A.		
LW-10812	COLLAR	N.L.A.		
LW-10814	SPRING	N.L.A.		
LW-10819	HOSE ASSY.	LW-12877-6-082	ALL	
LW-10826	SUMP ASSY.	LW-13861	ALL	NOTE 201
LW-10830	SUMP ASSY.	LW-14997	ALL	NOTE 201
LW-10843	CRANKSHAFT ASSY.	LW-17750	ALL	
LW-10844	CRANKSHAFT ASSY.	LW-17775	ALL	
LW-10882	HOUSING ASSY.	21B21068-2	ALL	
LW-10883	HOUSING ASSY.	LW-10887	ALL	
LW-10884	HOUSING ASSY.	LW-10885, 21B21068-1		NOTE 299
LW-10885	HOUSING ASSY.	21B21068-3	ALL	
LW-10886	HOUSING ASSY.	LW-10891		NOTE 393, S.I. 1110
LW-10887	HOUSING ASSY.	21B21068-6	ALL	
LW-10888	HOUSING ASSY.	21B21068-9	ALL	
LW-10889	HOUSING ASSY.	LW-10890	ALL	
LW-10890	HOUSING ASSY.	21B21068-4	ALL	
LW-10891	HOUSING ASSY.	21B21068-7	ALL	
LW-10892	HOUSING ASSY.	21B21068-5	ALL	
LW-10893	HOUSING ASSY.	21B21068-8	ALL	
LW-10894	HOUSING ASSY.	LW-10893	ALL	NOTE 393, S.I. 1110
LW-10902	HOUSING ASSY.	LW-10909	ALL	
LW-10903	HOUSING ASSY.	LW-10905	ALL	NOTE 201
LW-10904	HOUSING ASSY.	21D21069-6	ALL	

**SECTION 1  
NUMERICAL PARTS HISTORY SUPERSEDURES**

ORIGINAL PART NO.	NOMENCLATURE	SUPERSEDING PART NO.	USE	REFERENCES
LW-10905	HOUSING ASSY.	21D21069-8	ALL	
LW-10906	HOUSING ASSY.	21D21069-9	ALL	
LW-10907	HOUSING ASSY.	21D21069-10	ALL	
LW-10908	HOUSING ASSY.	21D21069-4	ALL	
LW-10909	HOUSING ASSY.	21D21069-5	ALL	
LW-10910	HOUSING ASSY.	21D21069-12	ALL	
LW-10911	HOUSING ASSY.	21D21069-13	ALL	
LW-10912	HOUSING ASSY.	21D21069-7	ALL	
LW-10913	HOUSING ASSY.	LW-10917	ALL	
LW-10915	HOUSING ASSY.	LW-10916	ALL	
LW-10916	HOUSING ASSY.	21D21069-1	ALL	
LW-10917	HOUSING ASSY.	21D21069-2	ALL	
LW-10918	HOUSING ASSY.	21D21069-11, LW-10919	ALL	NOTE 300
LW-10919	HOUSING ASSY.	21D21069-3	ALL	
LW-10920	HOUSING ASSY.	21D21069-14	ALL	
LW-10921	HOUSING ASSY.	21D21070-1	ALL	
LW-10923	HOUSING ASSY.	21F21070-2	ALL	
LW-10924	HOUSING ASSY.	21F21070-3	ALL	
LW-10932	SHAFT VAC. & MAG. DRIVE	N.L.A.		
LW-10933	ADAPTER	N.L.A.		
LW-10937	LIFTER	LW-15861	ALL	S.I.1529
LW-10941	STUD	LW-11866	ALL	NOTE 201
LW-10945	ROLLER	72797	ALL	
LW-10954	BELT	37B19774-412	ALL	S.I. 1254
LW-10955	BELT	37B19774-380	ALL	S.I. 1254
LW-10966	ALTERNATOR	LW-18885	ALL	S.I. 1154
LW-10967	ALTERNATOR	LW-18900	ALL	S.I. 1154
LW-10968	BRACKET	LW-14141	ALL	
LW-10969	BRACKET	LW-14142	ALL	
LW-10971	BELT	37A19773M396	ALL	
LW-10973	BAFFLE ASSY.	N.L.A.		
LW-10975	GAGE ASSY.	LW-14767	ALL	
LW-10977	ROLLER	14W21696	ALL	
LW-10978	ALTERNATOR	LW-18902	ALL	S.I. 1154
LW-10979	ALTERNATOR ASSY.	LW-18904	ALL	S.I. 1154
LW-10986	FUEL INJECTOR	N.L.A.		
LW-10989	ROD END	LW-13429	ALL	
LW-10990	ROD END	LW-13429	ALL	
LW-11007	FUEL INJECTOR	LW-11220	ALL	
LW-11010	SPACER	STD-1342	ALL	NOTE 201, S.I. 1339
LW-11011	PIPE	N.L.A.		
LW-11012	PIPE	N.L.A.		

**SECTION 1  
NUMERICAL PARTS HISTORY SUPERSEDURES**

ORIGINAL PART NO.	NOMENCLATURE	SUPERSEDING PART NO.	USE	REFERENCES
LW-11013	PIPE	N.L.A.		
LW-11014	PIPE	N.L.A.		
LW-11015	STUD	N.L.A.		
LW-11016	TRANSITION ASSY	N.L.A.		
LW-11018	COUPLING	LW-12125-3	ALL	
LW-11019	BRACKET	LW-13650	ALL	NOTE 201, S.I. 1339
LW-11020	BEARING	18D19394		NOTE 201, S.I. 1225, S.I. 1512, S.B. 326
LW-11021	BEARING	18D19394		NOTE 201, S.I. 1225, S.I. 1512, S.B. 326
LW-11022	CRANKCASE ASSY.	LW-11050	ALL	NOTE 201
LW-11023	CRANKCASE ASSY.	LW-11053	ALL	NOTE 201
LW-11024	CRANKCASE ASSY.	LW-11056	ALL	NOTE 201
LW-11025	CRANKCASE ASSY.	LW-11059	ALL	NOTE 201
LW-11026-S	CRANKCASE ASSY.	LW-12900-S	ALL	NOTE 201
LW-11027-S	CRANKCASE ASSY.	LW-11065-S	ALL	NOTE 201
LW-11028	CRANKCASE ASSY.	LW-11066	ALL	NOTE 201
LW-11029	CRANKCASE ASSY.	LW-11067	ALL	NOTE 201
LW-11030	CRANKCASE ASSY.	LW-11068	ALL	NOTE 201
LW-11031	CRANKCASE ASSY.	LW-11069	ALL	NOTE 201
LW-11032	CRANKCASE ASSY.	LW-14264	ALL	NOTE 201
LW-11033-S	CRANKCASE ASSY.	N.L.A.		
LW-11034-S	CRANKCASE ASSY.	LW-11037-S	ALL	
LW-11035-S	CRANKCASE ASSY.	N.L.A.		
LW-11036-S	CRANKCASE ASSY.	N.L.A.		
LW-11037-S	CRANKCASE ASSY.	N.L.A.		
LW-11038-S	CRANKCASE ASSY.	N.L.A.		
LW-11039-S	CRANKCASE ASSY.	LW-11221-S	ALL	
LW-11041	CRANKCASE ASSY.	N.L.A.		
LW-11042	CRANKCASE ASSY.	N.L.A.		
LW-11043	CRANKCASE ASSY.	N.L.A.		
LW-11044	CRANKCASE ASSY.	N.L.A.		S.B. 326
LW-11045	CRANKCASE ASSY.	N.L.A.		
LW-11046	CRANKCASE ASSY.	N.L.A.		
LW-11050	CRANKCASE ASSY.	LW-13808-S	ALL	NOTE 201, S.I. 1310
LW-11053-S	CRANKCASE ASSY.	LW-13809-S	ALL	NOTE 201, S.I. 1310
LW-11056	CRANKCASE ASSY.	LW-13810-S	ALL	NOTE 201, S.I. 1310
LW-11059	CRANKCASE ASSY.	LW-13811-S	ALL	NOTE 201, S.I. 1310
LW-11062	CRANKCASE ASSY.	LW-13812-S	ALL	NOTE 201, S.I. 1310
LW-11065	CRANKCASE ASSY.	LW-13814-S	ALL	NOTE 201, S.I. 1310
LW-11066	CRANKCASE ASSY.	LW-13819-S	ALL	NOTE 201, S.I. 1310
LW-11067	CRANKCASE ASSY.	LW-13818-S	ALL	NOTE 201, S.I. 1310
LW-11068	CRANKCASE ASSY.	LW-13820-S	ALL	NOTE 201, S.I. 1310
LW-11069	CRANKCASE ASSY.	LW-13821-S	ALL	NOTE 201, S.I. 1310



**SECTION 1  
NUMERICAL PARTS HISTORY SUPERSEDURES**

ORIGINAL PART NO.	NOMENCLATURE	SUPERSEDING PART NO.	USE	REFERENCES
LW-11078	CRANKCASE ASSY.	LW-11304	ALL	NOTE 201
LW-11080	BRACKET	LW-13651	ALL	NOTE 201
LW-11082	VALVE	LW-18498	ALL	S.I.1037M
LW-11083	TUBE ASSY.	LW-11954	ALL	NOTE 113
LW-11107	RETAINER	LW-12078	ALL	NOTE 113
LW-11108	FERRULE	N.L.A.		NOTE 250
LW-11111	ELBOW ASSY.	N.L.A.		NOTE 250
LW-11117	ELBOW ASSY.	N.L.A.		NOTE 250
LW-11118	ELBOW ASSY.	N.L.A.		NOTE 250
LW-11120	GROMMET	N.L.A.		NOTE 250
LW-11121	GROMMET	N.L.A.		NOTE 250
LW-11122	SPACER	N.L.A.		NOTE 250
LW-11123	SPACER	N.L.A.		NOTE 250
LW-11124	HOSE ASSY.	LW-12798-4S074	ALL	
LW-11125	HOSE ASSY.	LW-12799-6S170	ALL	
LW-11126	CRANKCASE ASSY.	LW-11991	ALL	NOTE 201
LW-11127	CRANKCASE ASSY.	LW-11992	ALL	S.B. 353
LW-11134	BUSHING	N.L.A.		S.I. 1339
LW-11139	REGULATOR	N.L.A.		S.I. 1154
LW-11140	REGULATOR	N.L.A.		S.I. 1154
LW-11141	PLATE	N.L.A.		NOTE 250
LW-11142	PLATE	N.L.A.		NOTE 250
LW-11145	MAGNETO	LW-51360-47	ALL	
LW-11149	ALTERNATOR ASSY.	LW-14354	ALL	NOTE 201, S.I. 1154
LW-11153	CRANKSHAFT ASSY.	LW-17132	ALL	
LW-11165	HOUSING ASSY.	21A21652-01	ALL	
LW-11166	FUEL PUMP	62D22570		S.B. 539A
LW-11167	VALVE	LW-16740	ALL	S.I. 1037M
LW-11168	INSTALLATION	LW-19233	ALL	
LW-11171	WASHER	N.L.A.		
LW-11172	SPACER	N.L.A.		
LW-11173-S	IMPELLER AND SHAFT ASSY.	N.L.A.		
LW-11176-A	GEAR	N.L.A.		
LW-11177	SPACER	LW-18131	ALL	NOTE 201, S.I. 1236
LW-11179-P11A	SHAFT	N.L.A.		
LW-11179-P11B	SHAFT	N.L.A.		
LW-11179-P11C	SHAFT	N.L.A.		
LW-11179-P22A	SHAFT	N.L.A.		
LW-11179-P22B	SHAFT	N.L.A.		
LW-11179-P22C	SHAFT	N.L.A.		
LW-11194	HARNESS ASSY.	LW-M-2460, LW-M-2461, LW-M-2376, or LW-721022-1	ALL	NOTE 250

**SECTION 1  
NUMERICAL PARTS HISTORY SUPERSEDURES**

ORIGINAL PART NO.	NOMENCLATURE	SUPERSEDING PART NO.	USE	REFERENCES
LW-11195	BAFFLE	N.L.A.		
LW-11196	BAFFLE	N.L.A.		
LW-11197	RETAINER	N.L.A.		
LW-11200	CLAMP	N.L.A.		
LW-11206	BRACKET-TURBOCHARGER	N.L.A.		
LW-11207	ADAPTER ASSY.	LW-13480	ALL	S.I. 1293
LW-11213	ALTERNATOR	LW-14327	ALL	NOTE 201, S.I. 1154
LW-11214	ALTERNATOR	LW-14355	ALL	NOTE 201, S.I. 1154
LW-11215	HOSE ASSY.	LW-12879-6S300	ALL	S.I. 1274
LW-11216	PIPE	LW-12281	ALL	NOTE 201
LW-11217	EXTENSION	LW- 11656 & LW-11657		NOTE 201
LW-11221	CRANKCASE ASSY.	N.L.A.		
LW-11222	CARBURETOR	78728	ALL	
LW-11228	CRANKSHAFT ASSY.	LW-17246	ALL	
LW-11229	CRANKSHAFT ASSY.	LW-17273	ALL	
LW-11237	CRANKCASE ASSY.	LW-11305	ALL	NOTE 201
LW-11245	BODY ASSY.	LW-15567	ALL	
LW-11264	MANIFOLD ASSY.	LW-12282	ALL	NOTE 201
LW-11274	ADAPTER	LW-11509	ALL	NOTE 201
LW-11301	HARNESS ASSY.	LW-M-2427, LW-M-2428, LW-M-2375 or LW-721019-1	ALL	NOTE 250
LW-11302	HARNESS ASSY.	LW-M-2493, LW-M-2494, LW-M-2375 or LW-721008-1	ALL	NOTE 250
LW-11303	CRANKCASE ASSY.	LW-14491-S	ALL	NOTE 201
LW-11304	CRANKCASE ASSY.	LW-11321	ALL	NOTE 201
LW-11305	CRANKCASE ASSY.	LW-11322	ALL	NOTE 201
LW-11306	HARNESS ASSY.	LW-M-2376 or LW-721020-1	ALL	NOTE 250
LW-11307	HARNESS ASSY.	LW-M-2448, LW-M-2449, LW-M-2376 or LW-721002-1	ALL	NOTE 250
LW-11308	HARNESS ASSY.	LW-620475-1	ALL	NOTE 250
LW-11309	HARNESS ASSY.	LW-M-2490, LW-M-2491, or LW-721021-1	ALL	NOTE 250
LW-11321	CRANKCASE ASSY.	LW-13815-S	ALL	NOTE 201, S.I. 1310
LW-11322	CRANKCASE ASSY.	LW-13816-S	ALL	NOTE 201, S.I. 1310
LW-11336	TURBOCHARGER	LW-12950	ALL	NOTE 201, S.I. 1286
LW-11338	SPRING	N.L.A.		
LW-11339	WASHER	N.L.A.		
LW-11356	CAMSHAFT	LW-13356	ALL	
LW-11357	REGULATOR	LW-12747	ALL	S.I. 1154, S.I. 1266
LW-11369	THRUST BUTTON	LW-11665	ALL	
LW-11377	CONTROLLER	LW-14299	ALL	
LW-11379	HOUSING ASSY.	LW-13889		NOTE 301
LW-11384	GROMMET	N.L.A.		

**SECTION 1  
NUMERICAL PARTS HISTORY SUPERSEDURES**

ORIGINAL PART NO.	NOMENCLATURE	SUPERSEDING PART NO.	USE	REFERENCES
LW-11385	PLATE	N.L.A.		
LW-11395	ALTERNATOR	N.L.A.		S.I. 1154
LW-11396	ALTERNATOR	N.L.A.		S.I. 1154
LW-11429	GENERATOR	N.L.A.		S.I. 1154
LW-11443	CYLINDER ASSY.	LW-13540	ALL	NOTE 201
LW-11457-S	CONNECTING ROD ASSY.	LW-11750-S, LW-13937-S	ALL	NOTE 302
LW-11487-S	PISTON	14D23909		S.I. 1526
LW-11507	FUEL INJECTOR	LW-14522	ALL	NOTE 201
LW-11509	BREATHER SEPARATOR	LW-11874	ALL	NOTE 201
LW-11520	HOUSING ASSY.	21A21651-02	ALL	
LW-11524	CRANKCASE ASSY.	LW-12930	ALL	
LW-11538	CAMSHAFT	LW-12311	ALL	S.I. 1263
LW-11540	PROPELLER SHAFT	N.L.A.		
LW-11549	HARNESS ASSY.	LW-M-2481, LW-M-2482, LW-M-2376 or LW-721014-1	ALL	NOTE 250
LW-11550	HARNESS ASSY.	LW-M-2484, LW-M-2485, LW-M-2376 or LW-721013-1	ALL	NOTE 250
LW-11552	HOUSING ASSY.	LW-15590	ALL	
LW-11563	MAGNETO	LW-349285-5	ALL	
LW-11564	TURBOCHARGER	LW-12521	ALL	NOTE 303
LW-11569	HOUSING ASSY.	N.L.A.		
LW-11573	SUPPORT ASSY.	LW-16581	ALL	
LW-11574	CRANKCASE ASSY.	LW-13766	ALL	
LW-11575	BEARING	18E23138		NOTE 3, NOTE 200, S.I. 1512
LW-11575-M03	BEARING	18E23138-M03		
LW-11575-M06	BEARING	18E23138-M06		
LW-11575-M10	BEARING	18E23138-M10		
LW-11575-P15	BEARING	N.L.A.		
LW-11575-P15M03	BEARING	N.L.A.		
LW-11575-P15-M03	BEARING	N.L.A.		
LW-11575-P15M06	BEARING	N.L.A.		
LW-11575-P15-M06	BEARING	N.L.A.		
LW-11575-P15M10	BEARING	N.L.A.		
LW-11575-P15-M10	BEARING	N.L.A.		
LW-11576	BEARING	18E19396		
LW-11578	CRANKSHAFT ASSY.	LW-17250	ALL	
LW-11579	CRANKSHAFT ASSY.	LW-17277	ALL	
LW-11585-S	CRANKCASE ASSY.	LW-13823-S	ALL	NOTE 201
LW-11587	COUPLING	LW-13249	ALL	
LW-11588	COUPLING ASSY.	LW-13250	ALL	
LW-11589	MAGNETO	LW-349290-9	ALL	

**SECTION 1  
NUMERICAL PARTS HISTORY SUPERSEDURES**

ORIGINAL PART NO.	NOMENCLATURE	SUPERSEDING PART NO.	USE	REFERENCES
LW-11595	BELT	LW-18129	ALL	
LW-11607	CYLINDER ASSY.	LW-12216	ALL	S.B. 334
LW-11621	PISTON	LW-18725	ALL	NOTE 200
LW-11631	CRANKCASE ASSY.	11A26478		NOTE 530
LW-11633	CYLINDER ASSY.	LW-16703	ALL	NOTE 201
LW-11634	VALVE	LW-19034	ALL	S.I. 1037M
LW-11648	ALTERNATOR	LW-14222	ALL	S.I. 1154
LW-11649	ALTERNATOR	LW-14223	ALL	S.I. 1154
LW-11650	MAGNETO	LW-349365-6	ALL	
LW-11651	MAGNETO	LW-349305-3	ALL	
LW-11660	CYLINDER ASSY.	N.L.A.		SFN-880-2
LW-11678	ADAPTER ASSY - TACH	LW-11679		IN COMPLETE SETS ONLY
LW-11679	ADAPTER ASSY - TACHOMETER	N.L.A.		
LW-11684	PLUG	N.L.A.		
LW-11685	HOUSING ASSY.	21E21547-02	ALL	
LW-11695	COVER ASSY.	N.L.A.		
LW-11701	INTAKE PIPE	N.L.A.		
LW-11702	INTAKE PIPE	N.L.A.		
LW-11703	INTAKE PIPE	N.L.A.		
LW-11704	INTAKE PIPE	N.L.A.		
LW-11718	TUBE	N.L.A.		
LW-11720	DUCT	N.L.A.		
LW-11737-S	CRANKCASE ASSY.	LW-11993-S	ALL	NOTE 201
LW-11739	TUBE	N.L.A.	ALL	S.I. 1321
LW-11745	FUEL INJECTOR	N.L.A.		
LW-11746	FUEL INJECTOR	N.L.A.		
LW-11754-S	CAMSHAFT	LW-18840	ALL	
LW-11772	SEAL	LW-12584	ALL	
LW-11773	COMPRESSOR KIT	N.L.A.		
LW-11774	COMPRESSOR KIT	N.L.A.		
LW-11775	PLUG	72198	ALL	S.I. 1267
LW-11778-2	WASHER	N.L.A.		
LW-11779-1	THRUST WASHER	LW-11952-1		S.I. 1242
LW-11779-2	THRUST WASHER	LW-11952-2		S.I. 1242
LW-11779-S	THRUST WASHER	LW-11952-S		S.I. 1242
LW-11782-S	SHAFTGEAR	LW-12241		S.I. 1242
LW-11785	DRIVE ASSY.	LW-11953		S.I. 1242
LW-11789	BRACKET	N.L.A.		
LW-11790	MANIFOLD ASSY.	N.L.A.		
LW-11791	BAFFLE	N.L.A.		
LW-11792	FUEL INJECTOR	N.L.A.		

**SECTION 1  
NUMERICAL PARTS HISTORY SUPERSEDURES**

ORIGINAL PART NO.	NOMENCLATURE	SUPERSEDING PART NO.	USE	REFERENCES
LW-11798	VALVE SPRING	LW-11796		NOTE 305, S.I. 1240
LW-11799	VALVE SPRING	LW-11797		NOTE 306, S.I. 1240
LW-11801	CONTROLLER, DENSITY	LW-10682		S.I. 1187
LW-11835	CLAMP	LW-13240, MS-21920-37	ALL	NOTE 307
LW-11837	SUPPORT ASSY.	N.L.A.		
LW-11847	TUBE ASSY-CYL #2	02P22209	ALL	
LW-11854	CRANKSHAFT ASSY.	LW-17066	ALL	
LW-11865	CYLINDER ASSY.	LW-19038	ALL	NOTE 201
LW-11873	TUBE	N.L.A.		
LW-11876	SPACER	N.L.A.		
LW-11877	SEAL	LW-12122	ALL	
LW-11884	ALTERNATOR	LW-18871	ALL	S.I. 1154
LW-11886	TUBE ASSY.	LW-14923	ALL	NOTE 201
LW-11901	INTAKE VALVE	17A23939		S.I.1037M
LW-11904	BUSHING	N.L.A.		S.I. 1339
LW-11905	SPACER	N.L.A.		S.I. 1339
LW-11908	CONTROLLER, DENSITY	N.L.A.		
LW-11909	NOZZLE ASSY.	N.L.A.		
LW-11921	GAGE ASSY.	LW-14766	ALL	
LW-11923	GAGE ASSY.	LW-14765	ALL	
LW-11936	STARTER	LW-14213	ALL	S.I. 1154
LW-11941	BRACKET	LW-13434	ALL	S.I. 1306
LW-11942	CRANKSHAFT ASSY.	LW-17760	ALL	
LW-11943	CRANKSHAFT ASSY.	LW-17785	ALL	
LW-11944	LEAD	N.L.A.		
LW-11945	INSTALLATION	LW-19234	ALL	
LW-11949	HOOK	N.L.A.	ALL	S.B. 393
LW-11950	CONTROLLER, ABS PRESS	LW-14298	ALL	
LW-11955	LINK	N.L.A.		
LW-11956	GUIDE	66713	ALL	
LW-11957	GUIDE	72897	ALL	NOTE 201, S.I. 1256, S.I. 1430
LW-11958	GUIDE	75838	ALL	NOTE 201, S.I. 1256, S.I. 1430
LW-11959	LEAD	N.L.A.		
LW-11960	DECAL	N.L.A.		
LW-11961	TUBE ASSY.	LW-12098-2-210	ALL	
LW-11963	CRANKCASE ASSY.	LW-12030-S	ALL	NOTE 201
LW-11964	CRANKCASE ASSY.	N.L.A.		
LW-11965	SPACER	N.L.A.		
LW-11966	HOUSING ASSY.	73031	ALL	

**SECTION 1  
NUMERICAL PARTS HISTORY SUPERSEDURES**

ORIGINAL PART NO.	NOMENCLATURE	SUPERSEDING PART NO.	USE	REFERENCES
LW-11968	TURBOCHARGER	N.L.A.		S.B. 383
LW-11969	TURBOCHARGER	LW-13309	ALL	NOTE 201, S.I. 1313
LW-11970	FUEL PUMP	LW-13920	ALL	
LW-11971	FUEL PUMP	LW-13921	ALL	S.I. 1309
LW-11972	FUEL INJECTOR	LW-10976	ALL	
LW-11973	HOSE	73781	ALL	NOTE 201
LW-11975	TURBOCHARGER	LW-13310	ALL	NOTE 201, S.I. 1313
LW-11976	TURBOCHARGER	LW-13234	ALL	NOTE 201, S.I. 1313
LW-11980	NOZZLE ASSY.	LW-14540	ALL	NOTE 201, S.I. 1275
LW-11982	NOZZLE ASSY.	N.L.A.		
LW-11984	HOUSING ASSY.	LW-13247	ALL	NOTE 201
LW-11988	SHAFT	N.L.A.		S.B. 350
LW-11989	SHAFT	N.L.A.		S.B. 350
LW-11990	SHAFT	N.L.A.		S.B. 350
LW-11991	CRANKCASE ASSY.	N.L.A.		
LW-11992	CRANKCASE ASSY.	LW-15612	ALL	
LW-11993-S	CRANKCASE ASSY.	LW-13082-S	ALL	NOTE 201
LW-12001	ADAPTER ASSY.	N.L.A.		
LW-12006	GEAR	N.L.A.		
LW-12010	ADAPTER ASSY.	N.L.A.		
LW-12017	GEAR ASSY.	N.L.A.		
LW-12019	COVER ASSY.	N.L.A.		
LW-12025	COVER ASSY.	N.L.A.		
LW-12027	HOUSING ASSY.	N.L.A.		
LW-12029	SUMP ASSY.	N.L.A.		
LW-12030	CRANKCASE ASSY.	N.L.A.		S.I. L220
LW-12042	CRANKSHAFT ASSY.	LW-12695	ALL	
LW-12045	COUPLING	LW-12093-5	ALL	
LW-12047	CRANKCASE ASSY.	LW-13825-S	ALL	NOTE 201
LW-12049	CRANKSHAFT ASSY.	LW-17174	ALL	
LW-12050-S	CAMSHAFT	LW-18846	ALL	
LW-12051	SUPPORT ASSY.	N.L.A.		
LW-12052	HOUSING ASSY.	21A21651-03	ALL	
LW-12053	MAGNETO	LW-163045-7	ALL	
LW-12054	MAGNETO	LW-163005-10	ALL	
LW-12055	BRACKET	LW-18459	ALL	
LW-12057	BOLT	LW-15996	ALL	
LW-12058	ALTERNATOR	LW-14314	ALL	S.I. 1154
LW-12059	ALTERNATOR	LW-14352	ALL	S.I. 1154
LW-12061	HOSE ASSY.	LW-12876-4-172	ALL	S.I. 1274
LW-12062	HOSE ASSY.	LW-12799-6-116	ALL	S.I. 1274
LW-12064	PUMP	N.L.A.		

**SECTION 1  
NUMERICAL PARTS HISTORY SUPERSEDURES**

<b>ORIGINAL PART NO.</b>	<b>NOMENCLATURE</b>	<b>SUPERSEDING PART NO.</b>	<b>USE</b>	<b>REFERENCES</b>
LW-12066	GAGE ASSY.	N.L.A.		
LW-12067	CONTROLLER, DENSITY	LW-10682	ALL	S.I. 1187
LW-12074	BRACKET	N.L.A.		
LW-12077	SEAL	LW-13792	ALL	
LW-12079	PLATE	N.L.A.		
LW-12080	GROMMET	N.L.A.		
LW-12083	SWITCH	N.L.A.		S.I. 1154
LW-12084	SWITCH	N.L.A.		S.I. 1154
LW-12085	SWITCH	N.L.A.		S.I. 1154
LW-12086	SWITCH	N.L.A.		S.I. 1154
LW-12087	TEE	LW-13235	ALL	NOTE 201
LW-12093-8	COUPLING	40D23255-340M		S.I. 1238, S.B. 492
LW-12096	HOSE ASSY.	LW-12876-4-250	ALL	
LW-12097	CARBURETOR	LW-15626, LW-15633, LW-15957	ALL	NOTE 308
LW-12098-0-092	TUBE ASSY.	LW-12098-0-100	ALL	S.I. 1301
LW-12098-0-116	TUBE ASSY.	LW-12098-0-120	ALL	S.I. 1301
LW-12098-0-120	TUBE ASSY.	LW-12098-0-130	ALL	S.I. 1301
LW-12098-0-124	TUBE ASSY.	LW-12098-0-130	ALL	S.I. 1301
LW-12098-0-134	TUBE ASSY.	LW-12098-0-140		S.I. 1301
LW-12098-0-153	TUBE ASSY.	LW-12098-0-160	ALL	S.I. 1301
LW-12098-0-183	TUBE ASSY.	LW-12098-0-190	ALL	S.I. 1301
LW-12098-0-200	TUBE ASSY.	LW-12098-0-210	ALL	S.I. 1301
LW-12098-0-230	TUBE ASSY.	LW-12098-0-240	ALL	S.I. 1301
LW-12098-0-256	TUBE ASSY.	LW-12098-0-260	ALL	S.I. 1301
LW-12098-0-274	TUBE ASSY.	LW-12098-0-270	ALL	S.I. 1301
LW-12098-0-276	TUBE ASSY.	LW-12098-0-280	ALL	S.I. 1301
LW-12098-0-296	TUBE ASSY.	LW-12098-0-300	ALL	S.I. 1301
LW-12098-0-334	TUBE ASSY.	LW-12098-0-340	ALL	S.I. 1301
LW-12098-1-092	TUBE ASSY.	LW-12098-0-100	ALL	S.I. 1301
LW-12098-1-100	TUBE ASSY.	LW-12098-0-100	ALL	S.I. 1301
LW-12098-1-116	TUBE ASSY.	LW-12098-0-120	ALL	S.I. 1301
LW-12098-1-134	TUBE ASSY.	LW-12098-0-140	ALL	S.I. 1301
LW-12098-1-146	TUBE ASSY.	LW-12098-0-150	ALL	S.I. 1301
LW-12098-1-153	TUBE ASSY.	LW-12098-0-160	ALL	S.I. 1301
LW-12098-1-160	TUBE ASSY.	LW-12098-0-160	ALL	S.I. 1301
LW-12098-1-170	TUBE ASSY.	LW-12098-0-170	ALL	S.I. 1301
LW-12098-1-174	TUBE ASSY.	LW-12098-0-180	ALL	S.I. 1301
LW-12098-1-180	TUBE ASSY.	LW-12098-0-180	ALL	S.I. 1301
LW-12098-1-183	TUBE ASSY.	LW-12098-0-190	ALL	S.I. 1301
LW-12098-1-200	TUBE ASSY.	LW-12098-0-200	ALL	S.I. 1301
LW-12098-1-210	TUBE ASSY.	LW-12098-0-210	ALL	S.I. 1301

**SECTION 1  
NUMERICAL PARTS HISTORY SUPERSEDURES**

ORIGINAL PART NO.	NOMENCLATURE	SUPERSEDING PART NO.	USE	REFERENCES
LW-12098-1-224	TUBE ASSY.	LW-12098-0-230	ALL	S.I. 1301
LW-12098-1-230	TUBE ASSY.	LW-12098-0-230	ALL	S.I. 1301
LW-12098-1-240	TUBE ASSY.	LW-12098-0-240	ALL	S.I. 1301
LW-12098-1-261	TUBE ASSY.	LW-12098-0-260	ALL	S.I. 1301
LW-12098-1-284	TUBE ASSY.	LW-12098-0-280	ALL	S.I. 1301
LW-12098-1-320	TUBE ASSY.	LW-12098-0-320	ALL	S.I. 1301
LW-12098-2-100	TUBE ASSY.	LW-12098-0-100	ALL	S.I. 1301
LW-12098-2-134	TUBE ASSY.	LW-12098-0-140	ALL	S.I. 1301
LW-12098-2-170	TUBE ASSY.	LW-12098-0-170	ALL	S.I. 1301
LW-12098-2-180	TUBE ASSY.	LW-12098-0-180	ALL	S.I. 1301
LW-12098-2-190	TUBE ASSY.	LW-12098-0-190	ALL	S.I. 1301
LW-12098-2-194	TUBE ASSY.	LW-12098-0-200	ALL	S.I. 1301
LW-12098-2-200	TUBE ASSY.	LW-12098-0-200	ALL	S.I. 1301
LW-12098-2-210	TUBE ASSY.	LW-12098-0-210	ALL	S.I. 1301
LW-12098-2-216	TUBE ASSY.	LW-12098-0-220	ALL	S.I. 1301
LW-12098-2-224	TUBE ASSY.	LW-12098-0-230	ALL	S.I. 1301
LW-12098-2-226	TUBE ASSY.	LW-12098-0-230	ALL	S.I. 1301
LW-12098-2-230	TUBE ASSY.	LW-12098-0-230	ALL	S.I. 1301
LW-12098-2-240	TUBE ASSY.	LW-12098-0-240	ALL	S.I. 1301
LW-12098-2-256	TUBE ASSY.	LW-12098-0-260	ALL	S.I. 1301
LW-12098-2-264	TUBE ASSY.	LW-12098-0-270	ALL	S.I. 1301
LW-12098-2-276	TUBE ASSY.	LW-12098-0-280	ALL	S.I. 1301
LW-12098-2-296	TUBE ASSY.	LW-12098-0-300	ALL	S.I. 1301
LW-12098-3-160	TUBE ASSY.	LW-12098-0-160	ALL	S.I. 1301
LW-12098-3-240	TUBE ASSY.	LW-12098-0-240	ALL	S.I. 1301
LW-12098-3-252	TUBE ASSY.	LW-12098-0-260	ALL	S.I. 1301
LW-12098-3-260	TUBE ASSY.	LW-12098-0-260	ALL	S.I. 1301
LW-12098-3-294	TUBE ASSY.	LW-12098-0-300	ALL	S.I. 1301
LW-12098-3-296	TUBE ASSY.	LW-12098-0-300	ALL	S.I. 1301
LW-12098-3-310	TUBE ASSY.	LW-12098-0-310	ALL	S.I. 1301
LW-12098-3-312	TUBE ASSY.	LW-12098-0-310	ALL	S.I. 1301
LW-12098-3-320	TUBE ASSY.	LW-12098-0-320	ALL	S.I. 1301
LW-12098-3-334	TUBE ASSY.	LW-12098-0-340	ALL	S.I. 1301
LW-12098-3-336	TUBE ASSY.	LW-12098-0-340	ALL	S.I. 1301
LW-12098-3-340	TUBE ASSY.	LW-12098-0-340	ALL	S.I. 1301
LW-12098-3-350	TUBE ASSY.	LW-12098-0-350	ALL	S.I. 1301
LW-12098-3-412	TUBE ASSY.	LW-12098-0-412	ALL	S.I. 1301
LW-12098-4-124	TUBE ASSY.	LW-12098-0-130	ALL	S.I. 1301
LW-12098-4-310	TUBE ASSY.	LW-12098-0-310	ALL	S.I. 1301
LW-12098-4-320	TUBE ASSY.	LW-12098-0-320	ALL	S.I. 1301
LW-12098-4-350	TUBE ASSY.	LW-12098-0-350	ALL	S.I. 1301
LW-12098-4-386	TUBE ASSY.	76361	ALL	S.I. 1301



**SECTION 1  
NUMERICAL PARTS HISTORY SUPERSEDURES**

ORIGINAL PART NO.	NOMENCLATURE	SUPERSEDING PART NO.	USE	REFERENCES
LW-12098-4-390	TUBE ASSY.	LW-12098-0-390	ALL	S.I. 1301
LW-12098-4-412	TUBE ASSY.	LW-12098-0-412	ALL	S.I. 1301
LW-12098-4-476	TUBE ASSY.	76362	ALL	S.I. 1301
LW-12101	U-BOLT	N.L.A.		S.B. 393
LW-12105	CLIP	LW-16266-10-1.25	ALL	
LW-12106	CLIP	LW-16266-10-88	ALL	
LW-12119	CRANKCASE ASSY.	N.L.A.		
LW-12122	SEAL	LW-13201	ALL	
LW-12131-S	CRANKCASE ASSY.	LW-13847-S	ALL	
LW-12136	CUSHION	LW-13641		NOTE 309
LW-12137	GUIDE	LW-11626	ALL	S.I. 1256
LW-12145	CLIP	MS21919-DF4	ALL	
LW-12146	CLAMP	MS21919-DG4	ALL	
LW-12147	KIT	LW-382698	ALL	
LW-12148	CLAMP	MS21919-G13	ALL	
LW-12155	MANIFOLD ASSY.	N.L.A.		
LW-12158	BAFFLE	N.L.A.		
LW-12159	STARTER	LW-14214	ALL	S.I. 1154
LW-12164	CRANKSHAFT ASSY.	LW-17761	ALL	
LW-12165	CRANKSHAFT ASSY.	LW-17786	ALL	
LW-12171	DRIVE ASSY.	N.L.A.		
LW-12173	CRANKSHAFT ASSY.	LW-17326	ALL	
LW-12174	CRANKSHAFT ASSY.	LW-17338	ALL	
LW-12175	CARBURETOR	LW-12097	ALL	
LW-12199	CLIP	MS21919-G14	ALL	
LW-12200	CRANKSHAFT ASSY.	LW-17473	ALL	
LW-12201-S	CAMSHAFT	LW-19173-S	ALL	
LW-12202	CLIP	MS21919-G12	ALL	
LW-12207	FUEL INJECTOR	N.L.A.		
LW-12208	FUEL INJECTOR	LW-14554	ALL	
LW-12209-S	FUEL INJECTOR	N.L.A.		
LW-12216	CYLINDER ASSY.	LW-13263	ALL	NOTE 201, S.B. 334, SFN-880-2
LW-12220-S	PUMP ASSY.	N.L.A.		
LW-12228	BEARING	N.L.A.		
LW-12229	BELT	LW-12701	ALL	
LW-12230	PULLEY	LW-13347	ALL	NOTE 201, S.I. 1283
LW-12234	ALTERNATOR ASSY.	LW-13349	ALL	S.I. 1283, S.I. 1154
LW-12235	PULLEY & SHAFT ASSY.	LW-19261	ALL	NOTE 201
LW-12238	KIT, COMPRESSOR	N.L.A.		
LW-12250	ELBOW	LW-13981	ALL	NOTE 201
LW-12254	RING	N.L.A.		S.B. 337

**SECTION 1  
NUMERICAL PARTS HISTORY SUPERSEDURES**

ORIGINAL PART NO.	NOMENCLATURE	SUPERSEDING PART NO.	USE	REFERENCES
LW-12258	HOUSING ASSY.	LW-14051	ALL	NOTE 201, S.B. 337
LW-12259	DECAL	N.L.A.		
LW-12262	BOLT ASSY.	LW-14049	ALL	NOTE 201, S.B. 337
LW-12263	BOLT ASSY.	LW-12262	ALL	
LW-12266-S	CRANKCASE ASSY.	LW-13799-S	ALL	NOTE 201, S.I. 1310
LW-12268	SEAL	LW-12271	ALL	
LW-12269	RETAINER	N.L.A.		S.I. 1292
LW-12270	SLEEVE	N.L.A.		S.I. 1292
LW-12271	SEAL	N.L.A.		S.I. 1292
LW-12273	SPRING	LW-13428	ALL	S.I. 1277
LW-12276-S	CRANKCASE ASSY.	LW-13844-S	ALL	
LW-12277	ALTERNATOR	LW-14322	ALL	S.I. 1154
LW-12279	CRANKSHAFT ASSY.	LW-17755	ALL	
LW-12280	CRANKSHAFT ASSY.	LW-17780	ALL	
LW-12282	MANIFOLD ASSY.	LW-16493	ALL	
LW-12284	CRANKSHAFT ASSY.	LW-17247	ALL	
LW-12285	CRANKSHAFT ASSY.	LW-17274	ALL	
LW-12286	HARNESS ASSY.	LW-11301	ALL	
LW-12288	TUBE	N.L.A.		
LW-12289	SLEEVE	N.L.A.		
LW-12290	TANK	N.L.A.		
LW-12293	CLIP	LW-16266-25-13	ALL	
LW-12297	CRANKCASE ASSY.	LW-13769	ALL	
LW-12298	FUEL INJECTOR	N.L.A.		
LW-12299	PUMP ASSY.	LW-13910	ALL	
LW-12300	TUBE ASSY.	N.L.A.		
LW-12301	SPRING	N.L.A.		S.I. 1351
LW-12302	GEAR ASSY.	N.L.A.		S.I. 1351
LW-12302-P30	GEAR ASSY.	N.L.A.		S.I. 1351
LW-12303	SPRING	N.L.A.		S.I. 1351
LW-12304-P30	GEAR ASSY.	N.L.A.		S.I. 1351
LW-12305	SPRING	N.L.A.		S.I. 1351
LW-12307-S	CRANKCASE ASSY.	LW-13851-S	ALL	S.B. 392
LW-12311-S	CAMSHAFT	LW-18845	ALL	
LW-12312-S	CAMSHAFT	LW-18843	ALL	
LW-12317	BRACKET	76790	ALL	NOTE 201, S.I. 1408
LW-12318	BRACKET	LW-12317	ALL	S.I. 1298
LW-12320	CONTROLLER	N.L.A.		
LW-12321	FUEL PUMP ASSY.	LW-13919	ALL	
LW-12328	RING	73857	ALL	
LW-12330	FUEL PUMP ASSY.	LW-13918	ALL	
LW-12332	HOUSING ASSY.	LW-11569	ALL	

**SECTION 1  
NUMERICAL PARTS HISTORY SUPERSEDURES**

ORIGINAL PART NO.	NOMENCLATURE	SUPERSEDING PART NO.	USE	REFERENCES
LW-12335	CRANKSHAFT ASSY.	LW-17254	ALL	
LW-12336	CRANKSHAFT ASSY.	LW-17281	ALL	
LW-12337	ELBOW	N.L.A.		
LW-12338	ELBOW	N.L.A.		
LW-12342	NIPPLE	N.L.A.		
LW-12343	STRUT	N.L.A.		
LW-12344	BRACKET	N.L.A.		
LW-12345	LINK	N.L.A.		
LW-12346	REDUCER	N.L.A.		
LW-12349	GEAR ASSY.	N.L.A.		
LW-12350	BRACKET	N.L.A.		
LW-12352	DEHYDRATOR	N.L.A.		
LW-12353	REGULATOR	N.L.A.		
LW-12354	HOSE ASSY.	LW-12784-4-130	ALL	S.I. 1274
LW-12355	HOSE ASSY.	LW-12784-4-090	ALL	S.I. 1274
LW-12356	HOSE ASSY.	LW-12784-4-226	ALL	S.I. 1274
LW-12360	GENERATOR	N.L.A.		S.I. 1154
LW-12363	CAP	75618	ALL	NOTE 201, S.I. 1292
LW-12364	REGULATOR	N.L.A.		S.I. 1154
LW-12365	PROP SHAFT & GEAR ASSY.	LW-12477	ALL	NOTE 201
LW-12369-S	CRANKCASE ASSY.	LW-18407-S	ALL	NOTE 201, S.I. 1432
LW-12372-S	CRANKCASE ASSY.	LW-18404-S	ALL	NOTE 201, S.I. 1432
LW-12373	CRANKCASE ASSY.	LW-18413-1	ALL	NOTE 201, S.I. 1432
LW-12374	HOSE	LW-15569	ALL	S.B. 372
LW-12376	CRANKSHAFT ASSY.	LW-17248	ALL	
LW-12377	CRANKSHAFT ASSY.	LW-17275	ALL	
LW-12379	CRANKSHAFT ASSY.	LW-17255	ALL	
LW-12380	CRANKSHAFT ASSY.	LW-17282	ALL	
LW-12381	CRANKSHAFT ASSY.	LW-17133	ALL	
LW-12383	PIN, PISTON	LW-14078	ALL	NOTE 514 SI1340, SB240, SI1256, IN COMPLETE SETS
LW-12394	CYLINDER ASSY.	76190	ALL	
LW-12396	FUEL INJECTOR	LW-11218	ALL	
LW-12408	HOUSING ASSY.	21A21533-04	ALL	
LW-12409	CYLINDER ASSY.	16B21508	ALL	
LW-12410	CYLINDER ASSY.	N.L.A.		SFN-880-2
LW-12411	CYLINDER ASSY.	LW-12413	ALL	
LW-12412	CYLINDER ASSY.	N.L.A.		SFN-880-2
LW-12413	CYLINDER ASSY.	05K21101	ALL	SFN-880-2
LW-12415	MANIFOLD ASSY.	N.L.A.	ALL	
LW-12417	CYLINDER ASSY.	LW-12416	ALL	NOTE 201

**SECTION 1  
NUMERICAL PARTS HISTORY SUPERSEDURES**

ORIGINAL PART NO.	NOMENCLATURE	SUPERSEDING PART NO.	USE	REFERENCES
LW-12418	CYLINDER ASSY.	05K21242		SFN-880-2
LW-12419	CYLINDER ASSY.	N.L.A.		SFN-880-2
LW-12420	CYLINDER ASSY.	N.L.A.		SFN-880-2
LW-12421	CYLINDER ASSY.	N.L.A.		SFN-880-2
LW-12422	CYLINDER ASSY.	LW-12425	ALL	NOTE 201
LW-12423	CYLINDER ASSY.	N.L.A.		SFN-880-2
LW-12424	CYLINDER ASSY.	LW-12425	ALL	SFN-880-2
LW-12426	CYLINDER ASSY.	N.L.A.		SFN-880-2
LW-12428	CYLINDER ASSY.	N.L.A.		SFN-880-2
LW-12429	CYLINDER ASSY.	16A22130		SFN-880-2
LW-12430	CYLINDER ASSY.	N.L.A.		SFN-880-2
LW-12431	CYLINDER ASSY.	LW-12432	ALL	
LW-12436	ELBOW	LW-18049	ALL	NOTE 201
LW-12446	CRANKSHAFT ASSY.	LW-17065	ALL	
LW-12447	CARBURETOR	LW-12097	ALL	
LW-12449	SUPPORT	N.L.A.		
LW-12451	COVER ASSY.	LW-13439	ALL	S.I. 1312
LW-12452	SUPPORT ASSY.	LW-18302	ALL	S.B. 463
LW-12453	PIPE	LW-12193	ALL	
LW-12454	PIPE	LW-12194	ALL	
LW-12455	PIPE	LW-12191	ALL	
LW-12456	CONTROLLER, DENSITY	LW-13142	ALL	
LW-12457	BOLT	N.L.A.		
LW-12458	FITTING	N.L.A.		
LW-12459	HOSE ASSY.	LW-12785-4-300	ALL	S.I. 1274
LW-12460	HOSE ASSY.	LW-12785-4-265	ALL	S.I. 1274
LW-12461	REGULATOR ASSY.	N.L.A.		
LW-12464	BRACKET	N.L.A.		
LW-12465	BRACKET	N.L.A.		
LW-12467	PIPE	LW-16696 & LW-16697	ALL	S.I. 1410
LW-12468	PIPE	LW-16620 & LW-16621	ALL	S.I. 1410
LW-12469	FITTING	N.L.A.		
LW-12470	FITTING	N.L.A.		
LW-12471	MANIFOLD ASSY.	LW-16825	ALL	S.I. 1410
LW-12472	MANIFOLD ASSY.	LW-16826	ALL	S.I. 1410
LW-12474-S	CRANKSHAFT ASSY.	N.L.A.		
LW-12475	TUBE ASSY.	LW-12920	ALL	
LW-12476	BEARING	LW-13335	ALL	
LW-12477	SHAFT & GEAR ASSY.	LW-13081	ALL	S.I. 1292
LW-12482	HOSE ASSY.	LW-12877-6-160	ALL	S.I. 1274
LW-12484	HEAT SHIELD	N.L.A.		
LW-12487	SHAFT & GEAR ASSY.	N.L.A.		

**SECTION 1  
NUMERICAL PARTS HISTORY SUPERSEDURES**

ORIGINAL PART NO.	NOMENCLATURE	SUPERSEDING PART NO.	USE	REFERENCES
LW-12499	BRACKET ASSY.	LW-12500	ALL	S.I. 1298
LW-12500	BRACKET	N.L.A.		
LW-12501	BRACKET	07F21411	ALL	
LW-12516	CLIP	LW-16266-10-13	ALL	
LW-12519	GEAR ASSY-PROP SHAFT DRIVE	N.L.A.		
LW-12521	TURBOCHARGER	N.L.A.		
LW-12522	OIL FILTER ASSY.	LW-12522-1	ALL	S.I. 1269
LW-12522-2	OIL FILTER ASSY.	LW-12522-1	ALL	S.I. 1269
LW-12528	CYLINDER ASSY.	LW-12996	ALL	NOTE 201
LW-12529	CYLINDER ASSY.	LW-12967	ALL	NOTE 201
LW-12530	CYLINDER ASSY.	LW-12997	ALL	NOTE 201
LW-12533	FUEL PUMP	62D22571		S.B. 539A
LW-12534	FUEL PUMP	62D22572		S.B. 539A
LW-12542	DIVIDER ASSY.	N.L.A.		
LW-12553	CLAMP	LW-15858-75-344	ALL	S.B. 372
LW-12558	MANIFOLD ASSY.	N.L.A.		
LW-12559	MANIFOLD ASSY.	N.L.A.		
LW-12561	CRANKSHAFT ASSY.	LW-17651	ALL	
LW-12562	CRANKSHAFT ASSY.	LW-17680	ALL	
LW-12563	CRANKSHAFT ASSY.	LW-17681	ALL	
LW-12565	CRANKSHAFT ASSY.	LW-17251	ALL	
LW-12566	CRANKSHAFT ASSY.	LW-17278	ALL	
LW-12569-S	CRANKCASE ASSY.	N.L.A.		
LW-12570-S	CRANKCASE ASSY.	LW-12569-S	ALL	
LW-12571	DRIVE ASSY.	N.L.A.		
LW-12573	CRANKSHAFT ASSY.	LW-17756	ALL	
LW-12574	CRANKSHAFT ASSY.	LW-17781	ALL	
LW-12577-S	CRANKCASE ASSY.	LW-13854-S	ALL	S.B. 392
LW-12582	CRANKSHAFT ASSY.	LW-17758	ALL	
LW-12583	CRANKSHAFT ASSY.	LW-17783	ALL	
LW-12584	SEAL	LW-13201	ALL	
LW-12587	RING	74673	ALL	
LW-12593	CRANKSHAFT ASSY.	LW-17164	ALL	
LW-12600	CRANKSHAFT ASSY.	LW-17169	ALL	
LW-12604	NIPPLE	02G21446	ALL	
LW-12631	CRANKCASE ASSY.	LW-13770	ALL	
LW-12632	CYLINDER ASSY.	75415	ALL	
LW-12634	HOUSING ASSY.	N.L.A.		
LW-12639	ADAPTER	LW-12903	ALL	
LW-12640	BLANKET	N.L.A.		
LW-12671	NIPPLE	02G21379	ALL	
LW-12673	ADAPTER ASSY.	N.L.A.		S.I. 1329

**SECTION 1  
NUMERICAL PARTS HISTORY SUPERSEDURES**

ORIGINAL PART NO.	NOMENCLATURE	SUPERSEDING PART NO.	USE	REFERENCES
LW-12674	ADAPTER ASSY.	N.L.A.		S.I. 1329
LW-12675	ADAPTER ASSY.	N.L.A.		S.I. 1329
LW-12684	REDUCTION GEAR ASSY.	N.L.A.		
LW-12685	ADAPTER ASSY.	N.L.A.		
LW-12686	FUEL INJECTOR	N.L.A.		
LW-12690	ELBOW	MS20823-4		NOTE 310
LW-12692	CRANKSHAFT ASSY.	N.L.A.		
LW-12693	CRANKSHAFT ASSY.	LW-12692	ALL	
LW-12694	CRANKSHAFT ASSY.	N.L.A.		
LW-12695	CRANKSHAFT ASSY.	LW-12694		
LW-12697	CRANKSHAFT ASSY.	13B21432	ALL	
LW-12698	CRANKSHAFT ASSY.	13B21945		NOTE 311
LW-12699	CRANKSHAFT ASSY.	LW-12698	ALL	
LW-12701	BELT	LW-13348	ALL	S.I. 1283
LW-12702	ROCKER ASSY.	17F21189	ALL	S.I. 1268
LW-12705	CRANKCASE ASSY.	LW-13817-S	ALL	NOTE 201, S.I. 1310
LW-12712	HOUSING ASSY.	21A21535-01	ALL	S.I. 1218
LW-12715	CYLINDER ASSY.	N.L.A.		S.I. 1037, SFN-880-2
LW-12716	CYLINDER ASSY.	N.L.A.		S.I. 1037, SFN-880-2
LW-12717	CYLINDER ASSY.	LW-13447	ALL	
LW-12730	PIPE	N.L.A.		
LW-12731	PIPE	N.L.A.		
LW-12732	PIPE	N.L.A.		
LW-12733	PISTON	14D23913	ALL	
LW-12735	HOUSING ASSY.	N.L.A.		
LW-12736	HOUSING ASSY.	N.L.A.		
LW-12737	ALTERNATOR ASSY.	LW-13350	ALL	NOTE 201, S.I. 1154
LW-12738	ALTERNATOR	LW-14323	ALL	NOTE 201, S.I. 1154
LW-12739	STRAP	N.L.A.		S.I. 1154
LW-12740	SUPPORT ASSY.	LW-13171	ALL	NOTE 201
LW-12745	CHECK VALVE-VENT LINE	02J26673		
LW-12747	REGULATOR	LW-15895	ALL	S.I. 1154
LW-12748	REGULATOR	N.L.A.		S.I. 1154
LW-12749	REGULATOR	N.L.A.		S.I. 1154
LW-12750	REGULATOR	N.L.A.		S.I. 1154
LW-12755	ADAPTER	N.L.A.		
LW-12756	FUEL DRAIN	N.L.A.		
LW-12761	CRANKSHAFT ASSY.	LW-12947	ALL	
LW-12762	SUPPORT	LW-13435	ALL	
LW-12764	ELBOW	N.L.A.		
LW-12768	CYLINDER ASSY.	LW-12427	ALL	NOTE 201

**SECTION 1  
NUMERICAL PARTS HISTORY SUPERSEDURES**

ORIGINAL PART NO.	NOMENCLATURE	SUPERSEDING PART NO.	USE	REFERENCES
LW-12769	CYLINDER ASSY.	LW-12429	ALL	
LW-12771	BOX, AIR INLET	N.L.A.		
LW-12779	ALTERNATOR ASSY.	LW-13352	ALL	S.I. 1154
LW-12780	TURBOCHARGER	LW-19174	ALL	
LW-12782	HOUSING ASSY.	21A21535-03	ALL	
LW-12783-6-074	HOSE ASSY.	LW-12799-6S074	ALL	S.I. 1274
LW-12783-6-086	HOSE ASSY.	LW-12799-6S090	ALL	S.I. 1274
LW-12783-6-094	HOSE ASSY.	N.L.A.		
LW-12783-6-113	HOSE ASSY.	LW-12799-6-113	ALL	S.I. 1274
LW-12783-6-194	HOSE ASSY.	LW-12799-6S210	ALL	NOTE 201, S.I. 1274
LW-12783-6-196	HOSE ASSY.	LW-12783-6-254	ALL	S.I. 1274
LW-12783-6-220	HOSE ASSY.	LW-12799-6S222	ALL	NOTE 201, S.I. 1274
LW-12783-6-254	HOSE ASSY.	LW-12799-6S254	ALL	NOTE 201, S.I. 1274
LW-12783-6-322	HOSE ASSY.	LW-12799-6S322		
LW-12783-6-332	HOSE ASSY.	N.L.A.		S.I. 1274
LW-12783-6-340	HOSE ASSY.	LW-12799-6S360	ALL	NOTE 201, S.I. 1274
LW-12783-6-360	HOSE ASSY.	LW-12799-6S360	ALL	NOTE 201, S.I. 1274
LW-12783-6-380	HOSE ASSY.	LW-12799-6S380	ALL	S.I. 1274
LW-12784-4-044	HOSE ASSY.	LW-12798-4-044	ALL	S.I. 1274
LW-12784-4-060	HOSE ASSY.	LW-12788-4S074	ALL	
LW-12784-4-074	HOSE ASSY.	LW-12798-4S074	ALL	S.I. 1274
LW-12784-4-080	HOSE ASSY.	LW-12784-4-102	ALL	S.I. 1274
LW-12784-4-090	HOSE ASSY.	N.L.A.		S.I. 1274
LW-12784-4-102	HOSE ASSY.	LW-12798-4S111	ALL	S.I. 1274
LW-12784-4-110	HOSE ASSY.	N.L.A.		S.I. 1274
LW-12784-4-120	HOSE ASSY.	LW-12798-4-120	ALL	S.I. 1274
LW-12784-4-160	HOSE ASSY.	LW-12798-4S160	ALL	S.I. 1274
LW-12784-4-172	HOSE ASSY.	LW-12798-4S172	ALL	S.I. 1274
LW-12784-4-183	HOSE ASSY.	LW-12798-4S190		S.I. 1274
LW-12784-4-202	HOSE ASSY.	LW-12798-4S202		
LW-12784-4-214	HOSE ASSY.	LW-12798-4S222		
LW-12784-4-226	HOSE ASSY.	N.L.A.		S.I. 1274
LW-12784-4-260	HOSE ASSY.	N.L.A.		S.I. 1274
LW-12784-4-290	HOSE ASSY.	LW-12784-4-303		S.I. 1274
LW-12784-4-303	HOSE ASSY.	LW-12798-4S303	ALL	S.I. 1274
LW-12784-4-310	HOSE ASSY.	LW-12798-4S313	ALL	S.I. 1274
LW-12784-4-340	HOSE ASSY.	LW-12798-4S340	ALL	S.I. 1274
LW-12784-4-352	HOSE ASSY.	LW-12798-4S340	ALL	S.I. 1274
LW-12785-4-062	HOSE ASSY.	LW-12876-4-062	ALL	S.I. 1274, S.B. 431
LW-12785-4-084	HOSE ASSY.	LW-12876-4S120	ALL	S.I. 1274
LW-12785-4-300	HOSE ASSY.	N.L.A.		S.I. 1274
LW-12785-4-334	HOSE ASSY.	LW-12876-4S334	ALL	S.I. 1274

**SECTION 1  
NUMERICAL PARTS HISTORY SUPERSEDURES**

ORIGINAL PART NO.	NOMENCLATURE	SUPERSEDING PART NO.	USE	REFERENCES
LW-12786-3-052	HOSE ASSY.	LW-16142-3-052	ALL	S.I. 1274, S.B. 431
LW-12786-3-130	HOSE ASSY.	LW-16142-3S130	ALL	S.I. 1274
LW-12786-3-250	HOSE ASSY.	LW-16142-3S250	ALL	S.I. 1274
LW-12786-3-314	HOSE ASSY.	LW-16142-3S314	ALL	S.I. 1274
LW-12788	BRACE	N.L.A.		
LW-12791	GAGE ASSY.	LW-14735	ALL	
LW-12793	GAGE ASSY.	LW-14733	ALL	
LW-12794	MAG. & HARNESS ASSY.	LW-16375	ALL	
LW-12795	GASKET-OIL FILTER ADAPTER	06B23862	ALL	
LW-12798-4-044	HOSE ASSY.	LW-12798-4S044	ALL	S.I. 1274
LW-12798-4-054	HOSE ASSY.	LW-12798-4S054	ALL	S.I. 1274
LW-12798-4-074	HOSE ASSY.	LW-12798-4S074	ALL	S.I. 1274
LW-12798-4-111	HOSE ASSY.	LW-12798-4S111	ALL	S.I. 1274
LW-12798-4-120	HOSE ASSY.	LW-12798-4S120	ALL	S.I. 1274, S.B. 431
LW-12798-4-130	HOSE ASSY.	LW-12798-4S130	ALL	S.I. 1274
LW-12798-4-172	HOSE ASSY.	LW-12798-4S172	ALL	S.I. 1274
LW-12798-4-190	HOSE ASSY.	LW-12798-4S190	ALL	S.I. 1274
LW-12798-4-204	HOSE ASSY.	LW-12798-4S204	ALL	S.I. 1274
LW-12798-4-222	HOSE ASSY.	LW-12798-4S222	ALL	S.I. 1274
LW-12798-4-242	HOSE ASSY.	LW-12798-4S242	ALL	S.I. 1274
LW-12798-4-274	HOSE ASSY.	LW-12798-4S274	ALL	S.I. 1274
LW-12798-4-334	HOSE ASSY.	LW-12798-4S334	ALL	S.I. 1274
LW-12798-4-340	HOSE ASSY.	LW-12798-4S340	ALL	S.I. 1274
LW-12798-4S082	HOSE ASSY.	LW-12799-6S082	ALL	NOTE 201, S.I. 1274, S.I. 1313
LW-12798-4S111	HOSE ASSY.	LW-12798-4S095	ALL	NOTE 201, NOTE 505, S.I. 1274
LW-12798-4S130	HOSE ASSY.	LW-12798-4S095, LW-12798-4S150		NOTE 201, NOTE 395, S.I. 1274
LW-12798-4S222	HOSE ASSY.	LW-12798-6S222, LW-12799-6S070		NOTE 397
LW-12798-4S260	HOSE ASSY.	LW-12798-4S274		S.I. 1274
LW-12798-4S303	HOSE ASSY.	LW-12798-4S313	ALL	S.I. 1274
LW-12798-4S313	HOSE ASSY.	LW-12798-4S340		NOTE 506, S.I. 1274
LW-12799-6-070	HOSE ASSY.	LW-12799-6S070	ALL	S.I. 1274
LW-12799-6-074	HOSE ASSY.	LW-12799-6S074	ALL	S.I. 1274
LW-12799-6-090	HOSE ASSY.	LW-12799-6S090	ALL	S.I. 1274
LW-12799-6-094	HOSE ASSY.	LW-12799-6S094	ALL	S.I. 1274
LW-12799-6-100	HOSE ASSY.	LW-12799-6S100	ALL	S.I. 1274
LW-12799-6-110	HOSE ASSY.	LW-12799-6S110	ALL	S.I. 1274
LW-12799-6-113	HOSE ASSY.	LW-12799-6S113	ALL	S.I. 1274, S.B. 431
LW-12799-6-116	HOSE ASSY.	LW-12799-6S116	ALL	S.I. 1274
LW-12799-6-130	HOSE ASSY.	LW-12799-6S130	ALL	S.I. 1274



**SECTION 1  
NUMERICAL PARTS HISTORY SUPERSEDURES**

ORIGINAL PART NO.	NOMENCLATURE	SUPERSEDING PART NO.	USE	REFERENCES
LW-12799-6-144	HOSE ASSY.	LW-12799-6S144	ALL	S.I. 1274
LW-12799-6-150	HOSE ASSY.	LW-12799-6S150	ALL	S.I. 1274
LW-12799-6-160	HOSE ASSY.	LW-12799-6S160	ALL	S.I. 1274
LW-12799-6-222	HOSE ASSY.	LW-12799-6S222	ALL	S.I. 1274
LW-12799-6-240	HOSE ASSY.	LW-12799-6S240	ALL	S.I. 1274
LW-12799-6-254	HOSE ASSY.	LW-12799-6S254	ALL	S.I. 1274
LW-12799-6-270	HOSE ASSY.	LW-12799-6S270	ALL	S.I. 1274
LW-12799-6-322	HOSE ASSY.	LW-12799-6S322	ALL	S.I. 1274
LW-12799-6-380	HOSE ASSY.	LW-12799-6S380	ALL	S.I. 1274
LW-12799-6S094	HOSE ASSY.	N.L.A.	ALL	
LW-12799-6S120	HOSE ASSY.	LW-12879-6S120	ALL	S.I. 1274
LW-12799-6S170	HOSE ASSY.	LW-12799-6S180	ALL	S.I. 1274
LW-12799-6S240	HOSE ASSY.	LW-12877-6S170		NOTE 201, S.I. 1274, S.I. 1396
LW-12808	ALTERNATOR ASSY.	LW-12832	ALL	S.I. 1154
LW-12809	ALTERNATOR ASSY.	LW-12833	ALL	S.I. 1154
LW-12810	ALTERNATOR ASSY.	LW-12834	ALL	S.I. 1154
LW-12811	ALTERNATOR ASSY.	LW-12835	ALL	S.I. 1154
LW-12812	ALTERNATOR ASSY.	LW-12836	ALL	S.I. 1154
LW-12813	ALTERNATOR ASSY.	LW-12837	ALL	S.I. 1154
LW-12814	ALTERNATOR ASSY.	LW-12838	ALL	S.I. 1154
LW-12815	ALTERNATOR ASSY.	LW-12839	ALL	S.I. 1154
LW-12816	ALTERNATOR ASSY.	LW-12840	ALL	S.I. 1154
LW-12817	ALTERNATOR ASSY.	LW-12841	ALL	S.I. 1154
LW-12818	ALTERNATOR ASSY.	LW-12842	ALL	S.I. 1154
LW-12819	ALTERNATOR ASSY.	LW-12843	ALL	S.I. 1154
LW-12824	ALTERNATOR ASSY.	LW-12845	ALL	S.I. 1154
LW-12825	ALTERNATOR ASSY.	LW-12846	ALL	S.I. 1154
LW-12826	ALTERNATOR ASSY.	LW-12847	ALL	S.I. 1154
LW-12827	ALTERNATOR ASSY.	LW-12848	ALL	S.I. 1154
LW-12828	ALTERNATOR ASSY.	LW-12849	ALL	S.I. 1154
LW-12829	ALTERNATOR ASSY.	LW-12850	ALL	S.I. 1154
LW-12830	ALTERNATOR ASSY.	LW-12851	ALL	S.I. 1154
LW-12831	ALTERNATOR ASSY.	LW-12852	ALL	S.I. 1154
LW-12832	ALTERNATOR ASSY.	LW-14308	ALL	NOTE 312, S.I. 1154
LW-12833	ALTERNATOR ASSY.	LW-14309	ALL	NOTE 312, S.I. 1154
LW-12834	ALTERNATOR ASSY.	LW-14310	ALL	NOTE 312, S.I. 1154
LW-12835	ALTERNATOR ASSY.	LW-14311	ALL	NOTE 312, S.I. 1154
LW-12836	ALTERNATOR ASSY.	LW-14315	ALL	NOTE 312, S.I. 1154
LW-12837	ALTERNATOR ASSY.	LW-14351	ALL	NOTE 312, S.I. 1154
LW-12838	ALTERNATOR ASSY.	LW-14352	ALL	NOTE 312, S.I. 1154
LW-12839	ALTERNATOR ASSY.	LW-14312	ALL	NOTE 312, S.I. 1154
LW-12840	ALTERNATOR ASSY.	LW-14316	ALL	NOTE 312, S.I. 1154

**SECTION 1  
NUMERICAL PARTS HISTORY SUPERSEDURES**

ORIGINAL PART NO.	NOMENCLATURE	SUPERSEDING PART NO.	USE	REFERENCES
LW-12841	ALTERNATOR ASSY.	LW-14317	ALL	NOTE 312, S.I. 1154
LW-12842	ALTERNATOR ASSY.	LW-14353	ALL	NOTE 312, S.I. 1154
LW-12843	ALTERNATOR ASSY.	N.L.A.		S.I. 1154
LW-12845	ALTERNATOR ASSY.	LW-14324	ALL	NOTE 312, S.I. 1154
LW-12846	ALTERNATOR ASSY.	LW-14325	ALL	NOTE 312, S.I. 1154
LW-12847	ALTERNATOR ASSY.	LW-14354	ALL	NOTE 312, S.I. 1154
LW-12848	ALTERNATOR ASSY.	LW-14355	ALL	NOTE 312, S.I. 1154
LW-12849	ALTERNATOR ASSY.	LW-14356	ALL	NOTE 312, S.I. 1154
LW-12850	ALTERNATOR ASSY.	LW-14357	ALL	NOTE 312, S.I. 1154
LW-12851	ALTERNATOR ASSY.	N.L.A.	ALL	S.I. 1154
LW-12852	ALTERNATOR ASSY.	N.L.A.	ALL	S.I. 1154
LW-12876-4-046	HOSE ASSY.	N.L.A.		S.I. 1274
LW-12876-4-062	HOSE ASSY.	LW-12876-4S062	ALL	S.I. 1274
LW-12876-4-066	HOSE ASSY.	LW-12876-4S066	ALL	S.I. 1274
LW-12876-4-172	HOSE ASSY.	LW-12876-4S172	ALL	S.I. 1274
LW-12876-4-224	HOSE ASSY.	LW-12876-4S224	ALL	S.I. 1274
LW-12876-4-250	HOSE ASSY.	LW-12876-4S250	ALL	S.I. 1274
LW-12876-4-334	HOSE ASSY.	LW-12876-4S334	ALL	S.I. 1274
LW-12876-4S032	HOSE ASSY.	N.L.A.		S.I. 1274
LW-12877-6-051	HOSE ASSY.	LW-12877-6S051	ALL	S.I. 1274
LW-12877-6-066	HOSE ASSY.	LW-12877-6S066	ALL	S.I. 1274
LW-12877-6-082	HOSE ASSY.	LW-12877-6S066	ALL	S.I. 1274
LW-12877-6-124	HOSE ASSY.	LW-12877-6S124	ALL	S.I. 1274
LW-12877-6-142	HOSE ASSY.	LW-12877-6S142	ALL	S.I. 1274
LW-12877-6-160	HOSE ASSY.	LW-12877-6S160	ALL	S.I. 1274
LW-12877-6-161	HOSE ASSY.	LW-12877-6S161	ALL	S.I. 1274
LW-12877-6-254	HOSE ASSY.	LW-12877-6S254	ALL	S.I. 1274
LW-12877-6-357	HOSE ASSY.	LW-12877-6S357	ALL	S.I. 1274
LW-12877-6-413	HOSE ASSY.	LW-12877-6S413	ALL	S.I. 1274
LW-12877-6S160	HOSE ASSY.	LW-12877-6S161	ALL	S.I.-1274
LW-12878-4-170	HOSE ASSY.	LW-12878-4S170	ALL	S.I. 1274
LW-12878-4-176	HOSE ASSY.	LW-12878-4S176	ALL	S.I. 1274
LW-12878-4-224	HOSE ASSY.	LW-12878-4S224	ALL	S.I. 1274
LW-12878-4-260	HOSE ASSY.	LW-12878-4S260	ALL	S.I. 1274
LW-12878-4S083	HOSE ASSY.	02M22027-3S090	ALL	S.I. 1274
LW-12878-4S184	HOSE ASSY.	LW-12878-4S200	ALL	S.I. 1274
LW-12878-4S224	HOSE ASSY.	N.L.A.		S.I. 1274
LW-12879-6-060	HOSE ASSY.	LW-12879-6S060	ALL	S.I. 1274
LW-12879-6-082	HOSE ASSY.	LW-12879-6S082	ALL	S.I. 1274
LW-12879-6-120	HOSE ASSY.	LW-12879-6S120	ALL	S.I. 1274
LW-12879-6-350	HOSE ASSY.	LW-12879-6S350	ALL	S.I.-1274
LW-12879-6-380	HOSE ASSY.	LW-12879-6S380	ALL	S.I. 1274

**SECTION 1  
NUMERICAL PARTS HISTORY SUPERSEDURES**

ORIGINAL PART NO.	NOMENCLATURE	SUPERSEDING PART NO.	USE	REFERENCES
LW-12882	ALTERNATOR	LW-18874	ALL	S.I. 1154
LW-12886	SPRING WASHER	N.L.A.		
LW-12897	IMPELLER, DRIVING	LW-14038	ALL	S.I. 1230, S.B. 524
LW-12900-S	CRANKCASE ASSY.	LW-13813-S	ALL	NOTE 201, S.I. 1310
LW-12916	GEAR ASSY.	LW-14040	ALL	NOTE 201, S.I. 1230
LW-12923	CRANKCASE ASSY.	LW-13822	ALL	S.I. 1310
LW-12926-S	CRANKCASE ASSY.	LW-18410-S	ALL	NOTE 201, S.I. 1432
LW-12929-S	CRANKCASE ASSY.	LW-12569-S	ALL	
LW-12930	CRANKCASE ASSY.	LW-13824-S	ALL	S.I. 1310
LW-12938	BEARING	LW-11575	ALL	S.I. 1377
LW-12939	BEARING	LW-11021	ALL	S.I. 1377
LW-12940	BEARING	LW-13884	ALL	S.I. 1377
LW-12941	BEARING	LW-13885	ALL	S.I. 1377
LW-12941-P15M10	BEARING	N.L.A.		
LW-12947	CRANKSHAFT ASSY.	N.L.A.		
LW-12948	HARNESS ASSY.	LW-M-2451, LW-M-2452, LW-M-2375 or LW-721046-1	ALL	NOTE 250
LW-12949	VALVE, INTAKE	17A23943	ALL	S.I. 1037M
LW-12951	BRACKET	N.L.A.		
LW-12953	BRACKET	N.L.A.		
LW-12960	VALVE	LW-18654, 47J21012		NOTE 313
LW-12961	VALVE ASSY.	N.L.A.		
LW-12963	FUEL INJECTOR	LW-11507	ALL	
LW-12967	CYLINDER ASSY.	N.L.A.		SFN-880-2
LW-12968	HOUSING ASSY.	21A21534-11	ALL	S.I. 1218
LW-12972	BUSHING	N.L.A.		
LW-12978	BEARING	LW-13335	ALL	S.B. 390
LW-12982	FUEL INJECTOR	61J19503	ALL	
LW-12986	CYLINDER ASSY.	LW-16704	ALL	NOTE 201, S.I. 1246
LW-12987	CYLINDER ASSY.	LW-12993	ALL	
LW-12989	CYLINDER ASSY.	N.L.A.		S.I. 1037, SFN-880-2
LW-12990	CYLINDER ASSY.	N.L.A.		S.I. 1037, SFN-880-2
LW-12991	CYLINDER ASSY.	N.L.A.		SFN-880-2
LW-12992	CYLINDER ASSY.	N.L.A.		S.I. 1037, SFN-880-2
LW-12994	CYLINDER ASSY.	N.L.A.		S.I. 1037, SFN-880-2
LW-12995	CYLINDER ASSY.	N.L.A.		S.I. 1037, SFN-880-2
LW-12996	CYLINDER ASSY.	N.L.A.		S.I. 1037, SFN-880-2
LW-12997	CYLINDER ASSY.	LW-19048		NOTE 201
LW-13005	PAINT	N.L.A.		
LW-13006	PAINT	N.L.A.		
LW-13010	GAGE ASSY.	LW-14730	ALL	
LW-13013	HEAT SHIELD	LW-19171 & LW-19172	ALL	NOTE 314
LW-13018	CRANKSHAFT ASSY.	LW-17134	ALL	

**SECTION 1  
NUMERICAL PARTS HISTORY SUPERSEDURES**

ORIGINAL PART NO.	NOMENCLATURE	SUPERSEDING PART NO.	USE	REFERENCES
LW-13027	PIPE	LW-10798	ALL	NOTE 201, S.B. 393
LW-13028	PULLEY, ALTERNATOR	N.L.A.		
LW-13030	ALTERNATOR ASSY.	LW-18905	ALL	
LW-13031	CLAMP	N.L.A.		NOTE 201, S.B. 393
LW-13034	MANIFOLD ASSY.	78961	ALL	NOTE 201, S.B. 393
LW-13035	MANIFOLD ASSY.	78962	ALL	NOTE 201, S.B. 393
LW-13037	TUBE ASSY.	LW-13146		NOTE 315
LW-13037	TUBE ASSY.	N.L.A.	ALL	
LW-13039	BRACKET	07A19474	ALL	NOTE 201
LW-13048	PLATE	N.L.A.	ALL	
LW-13050	VALVE ASSY.	LW-14437-3	ALL	NOTE 201, S.I. 1286
LW-13077	SPRING-SHROUD TUBE	15H21201	ALL	
LW-13082-S	CRANKCASE ASSY.	LW-13442-S	ALL	NOTE 201, S.I. 1312
LW-13087	VALVE, INTAKE	LW-13262	ALL	S.I. 1262, S.I. 1302, S.I. 1037M
LW-13112	TURBOCHARGER	N.L.A.		
LW-13127	ELBOW	MS20822-6	ALL	
LW-13133	CARBURETOR	LW-14016	ALL	
LW-13140	PLUNGER	N.L.A.		
LW-13141	PLUG	N.L.A.		
LW-13142	CONTROLLER, DENSITY	LW-16840	ALL	
LW-13143	CRANKCASE ASSY.	LW-13771	ALL	
LW-13145	VALVE ASSY.	LW-13779, LW-14445-1, LW- 14445-2		NOTE 316
LW-13148	ADAPTER	LW-13128		NOTE 317
LW-13150	BRACKET	75414	ALL	
LW-13151	MANIFOLD ASSY.	76777	ALL	
LW-13152	MANIFOLD ASSY.	75414	ALL	
LW-13171	SUPPORT ASSY.	N.L.A.	ALL	
LW-13173-3-052	HOSE ASSY.	LW-16142-3-052		S.B.431, S.I. 1274
LW-13173-3-075	HOSE ASSY.	LW-12786-3-075	ALL	S.I. 1274
LW-13174-4-044	HOSE ASSY.	LW-12798-4-044	ALL	S.B. 431, S.I. 1274
LW-13174-4-120	HOSE ASSY.	LW-12798-4-120	ALL	S.B. 431, S.I. 1274
LW-13174-4-160	HOSE ASSY.	LW-12784-4-160	ALL	S.I. 1274
LW-13175-4-102	HOSE ASSY.	LW-12784-4-102	ALL	S.I. 1274
LW-13175-4-147	HOSE ASSY.	LW-12784-4-147	ALL	S.I. 1274
LW-13175-4-172	HOSE ASSY.	LW-12784-4-172	ALL	S.I. 1274
LW-13175-4-183	HOSE ASSY.	LW-12784-4-183	ALL	S.I. 1274
LW-13175-4-202	HOSE ASSY.	LW-12784-4-202	ALL	S.I. 1274
LW-13175-4-214	HOSE ASSY.	LW-12784-4-214	ALL	S.I. 1274
LW-13175-4-252	HOSE ASSY.	LW-12784-4-252	ALL	S.I. 1274

**SECTION 1  
NUMERICAL PARTS HISTORY SUPERSEDURES**

ORIGINAL PART NO.	NOMENCLATURE	SUPERSEDING PART NO.	USE	REFERENCES
LW-13175-4-274	HOSE ASSY.	LW-12784-4-274	ALL	S.I. 1274
LW-13175-4-290	HOSE ASSY.	LW-12784-4-303	ALL	S.I. 1274
LW-13175-4-303	HOSE ASSY.	LW-12784-4-303	ALL	S.I. 1274
LW-13175-4-340	HOSE ASSY.	LW-12784-4-340	ALL	S.I. 1274
LW-13175-4-343	HOSE ASSY.	LW-12784-4-343	ALL	S.I. 1274
LW-13175-4-352	HOSE ASSY.	LW-12784-4-352	ALL	S.I. 1274
LW-13175-4-480	HOSE ASSY.	LW-12784-4-480	ALL	S.I. 1274
LW-13176-8-220	HOSE ASSY.	LW-13176-8S220	ALL	S.I. 1274
LW-13176-8S152	HOSE ASSY.	LW-13176-8S180	ALL	S.I. 1274
LW-13176-8S180	HOSE ASSY.	N.L.A.	ALL	
LW-13177-4-084	HOSE ASSY.	LW-12785-4-084	ALL	S.I. 1274
LW-13177-4-334	HOSE ASSY.	LW-12785-4-334	ALL	S.I. 1274
LW-13178-4-032	HOSE ASSY.	LW-12785-4-032	ALL	S.I. 1274
LW-13178-4-062	HOSE ASSY.	LW-12876-4-062	ALL	S.B. 431, S.I. 1274
LW-13180-4-106	HOSE ASSY.	LW-13180-4S106	ALL	S.I. 1274
LW-13180-4S106	HOSE ASSY.	LW-12876-4S120	ALL	S.I. 1274
LW-13181-6-112	HOSE ASSY.	LW-12783-6-112	ALL	S.I. 1274
LW-13181-6-196	HOSE ASSY.	LW-12783-6-196	ALL	S.I. 1274
LW-13181-6-240	HOSE ASSY.	LW-12783-6-240	ALL	S.I. 1274
LW-13181-6-254	HOSE ASSY.	LW-12783-6-254	ALL	S.I. 1274
LW-13181-6-290	HOSE ASSY.	LW-12783-6-322	ALL	S.I. 1274
LW-13181-6-300	HOSE ASSY.	LW-12783-6-332	ALL	S.I. 1274
LW-13181-6-303	HOSE ASSY.	LW-12783-6-322	ALL	S.I. 1274
LW-13181-6-310	HOSE ASSY.	LW-12783-6-322	ALL	S.I. 1274
LW-13181-6-322	HOSE ASSY.	LW-12783-6-322	ALL	S.I. 1274
LW-13181-6-330	HOSE ASSY.	LW-12783-6-330	ALL	S.I. 1274
LW-13181-6-360	HOSE ASSY.	LW-12783-6-360	ALL	S.I. 1274
LW-13181-6-380	HOSE ASSY.	LW-12783-6-380	ALL	S.I. 1274
LW-13182-6-074	HOSE ASSY.	LW-12783-6-074	ALL	S.I. 1274
LW-13182-6-086	HOSE ASSY.	LW-12799-6-090	ALL	S.I. 1274, S.B. 431
LW-13182-6-094	HOSE ASSY.	LW-12799-6S094	ALL	S.I. 1274
LW-13182-6-113	HOSE ASSY.	LW-12799-6-113	ALL	S.B. 431, S.I. 1274
LW-13183-6-161	HOSE ASSY.	LW-13183-6S161	ALL	S.I. 1274
LW-13183-6S161	HOSE ASSY.	LW-12877-6S161	ALL	S.I. 1274
LW-13184-4-075	HOSE ASSY.	LW-16140-4S075	ALL	S.I. 1274
LW-13186-4-224	HOSE ASSY.	LW-12878-4-224	ALL	S.I. 1274
LW-13192-4-334	HOSE ASSY.	LW-13192-4S334	ALL	S.I. 1274
LW-13192-4S334	HOSE ASSY.	LW-12798-4S334	ALL	S.I. 1274
LW-13193-6-160	HOSE ASSY.	LW-12799-6-160	ALL	S.I. 1274
LW-13193-6-322	HOSE ASSY.	LW-13193-6S322	ALL	S.I. 1274
LW-13193-6S322	HOSE ASSY.	LW-12799-6S322	ALL	S.I. 1274
LW-13194	BELT	37B19774-400	ALL	

**SECTION 1  
NUMERICAL PARTS HISTORY SUPERSEDURES**

ORIGINAL PART NO.	NOMENCLATURE	SUPERSEDING PART NO.	USE	REFERENCES
LW-13209	BEARING	LW-13212	ALL	
LW-13212	BEARING	LW-16143	ALL	S.B. 547, S.I. 1512
LW-13217	CONVERTER PLATE	54E23092	ALL	S.I. 1453
LW-13230	VALVE ASSY.	53E19980	ALL	
LW-13231	BAFFLE	LW-13383	ALL	NOTE 201, S.I. 1279
LW-13232	HOUSING ASSY.	56A21692-03	ALL	NOTE 201, S.I. 1279
LW-13233	HOUSING ASSY.	56A21692-08	ALL	NOTE 201,
LW-13238	HOUSING ASSY.	21A21533-12	ALL	
LW-13239	FUEL PUMP	LW-13921	ALL	NOTE 201
LW-13240	CLAMP, T-BOLT	LW-15570	ALL	S.B. 372
LW-13249	COUPLING	N.L.A.		
LW-13250	COUPLING ASSY.	N.L.A.		
LW-13254	GAGE ASSY.	LW-14781	ALL	
LW-13257	CRANKCASE ASSEMBLY	11A26479		NOTE 530
LW-13258	FUEL PUMP ASSY.	LW-13736	ALL	NOTE 201
LW-13259	FUEL PUMP ASSY.	LW-13918	ALL	NOTE 201
LW-13262	VALVE-INTAKE ROT. TYPE	17A23942		S.I. 1037M
LW-13263	CYLINDER ASSY.	LW-13561	ALL	NOTE 201, SFN-880-2
LW-13269	CRANKSHAFT ASSY.	LW-17757	ALL	
LW-13270	CRANKSHAFT ASSY.	LW-17782	ALL	
LW-13273	CRANKCASE ASSY.	LW-13857-S	ALL	
LW-13276	SUPPORT ASSY.	LW-16470	ALL	NOTE 201
LW-13282	CRANKCASE ASSEMBLY	11A26476		NOTE 530
LW-13288-S	CRANKCASE ASSY.	LW-14675-S	ALL	
LW-13301	ROD, TOP SUPPORT	LW-18248	ALL	
LW-13306	GASKET	06B21326	ALL	
LW-13309	TURBOCHARGER	N.L.A.		S.I. 1313, S.I. 1328
LW-13314	PIPE	N.L.A.		
LW-13315	PIPE	N.L.A.		
LW-13320	SEAT	65441	ALL	
LW-13323	SEAT	61252, 65441, LW-13320		NOTE 318, S.I. 1256
LW-13328	TUBE ASSY.	N.L.A.		
LW-13332	MANIFOLD ASSY.	LW-16922	ALL	NOTE 201, NOTE 205
LW-13333	MANIFOLD ASSY.	LW-16923	ALL	NOTE 201, NOTE 205
LW-13338	VALVE ASSY.	73129	ALL	
LW-13339	SHROUD TUBE	LW-14015	ALL	
LW-13342	HOUSING ASSY.	N.L.A.		
LW-13343	CHECK VALVE	N.L.A.		
LW-13348	BELT	LW-15813	ALL	
LW-13349	ALTERNATOR ASSY.	LW-14356	ALL	S.I. 1154

**SECTION 1  
NUMERICAL PARTS HISTORY SUPERSEDURES**

ORIGINAL PART NO.	NOMENCLATURE	SUPERSEDING PART NO.	USE	REFERENCES
LW-13350	ALTERNATOR ASSY.	LW-14360	ALL	S.I. 1154
LW-13352	ALTERNATOR ASSY.	LW-14361	ALL	S.I. 1154
LW-13356-S	CAMSHAFT	LW-14970-S	ALL	S.B. 402
LW-13358-S	PISTON	N.L.A.		NOTE 515
LW-13359	GAGE ASSY.	LW-14764	ALL	
LW-13369	CRANKSHAFT ASSY.	LW-17829	ALL	
LW-13370	CRANKSHAFT ASSY.	LW-17840	ALL	
LW-13381	SUPPORT ASSY.	N.L.A.		
LW-13382	SUPPORT ASSY.	N.L.A.		
LW-13383	OIL SUMP BAFFLE	57G23399		NOTE 512
LW-13388	GASKET-OIL FILTER CONV.	06B23072	ALL	S.I. 1453, S.B. 543
LW-13392	CYLINDER ASSY.	N.L.A.		SFN-880-2
LW-13393	CYLINDER ASSY.	LW-12411	ALL	S.I. 1037, SFN-880-2
LW-13394	CYLINDER ASSY.	16A21005	ALL	NOTE 201
LW-13397	FUEL INJECTOR	N.L.A.		
LW-13402	RING	73998	ALL	
LW-13406	BELT	37A19773-367	ALL	
LW-13425	TANK	LW-13928	ALL	NOTE 201
LW-13428	SPRING	LW-14995	ALL	
LW-13429	ROD END	05R19950	ALL	S.I. 1431
LW-13433	CRANKCASE ASSY.	N.L.A.		
LW-13439	COVER ASSY.	N.L.A.	ALL	
LW-13441	SEAT	N.L.A.	ALL	
LW-13442-S	CRANKCASE ASSY.	LW-14052	ALL	NOTE 201
LW-13444	PIN, PISTON	LW-14078	ALL	S.I. 1340
LW-13446	PIN, PISTON	LW-14077	ALL	S.I. 1340; S.B. 501
LW-13448	CYLINDER ASSY.	N.L.A.		SFN-880-2
LW-13460	MOUNT	N.L.A.		
LW-13470	GASKET	LW-14528	ALL	
LW-13475	BUSHING	LW-15692	ALL	
LW-13478	ELBOW	02A19416	ALL	
LW-13479	KIT	N.L.A.		
LW-13516	CYLINDER ASSY.	05K21109	ALL	
LW-13517	BLANKET	N.L.A.		
LW-13520	CRANKCASE ASSY.	LW-13772	ALL	
LW-13521	BEARING	18M19389		TO: S.I.1512
LW-13521-M03	BEARING	18M19389-M03		
LW-13521-M06	BEARING	18M19389-M06		
LW-13521-M10	BEARING	18M19389-M10		
LW-13521-M03-P10	BEARING	N.L.A.		
LW-13521-M06-P10	BEARING	N.L.A.		
LW-13521-M10-P10	BEARING	N.L.A.		

**SECTION 1  
NUMERICAL PARTS HISTORY SUPERSEDURES**

ORIGINAL PART NO.	NOMENCLATURE	SUPERSEDING PART NO.	USE	REFERENCES
LW-13521-P10	BEARING	N.L.A.		
LW-13521STD-P10	BEARING	N.L.A.		
LW-13522	BEARING	18M19389	ALL	S.I. 1512
LW-13522-M10	BEARING	N.L.A.		
LW-13528	CYLINDER ASSY.	LW-13530	ALL	NOTE 201
LW-13529	CYLINDER ASSY.	N.L.A.		SFN-880-2
LW-13531	CYLINDER ASSY.	N.L.A.		SFN-880-2
LW-13535	CYLINDER ASSY.	N.L.A.		SFN-880-2
LW-13536	CYLINDER ASSY.	N.L.A.		SFN-880-2
LW-13537	CYLINDER ASSY.	LW-13532	ALL	NOTE 201
LW-13538	CYLINDER ASSY.	N.L.A.		SFN-880-2
LW-13539	CYLINDER ASSY.	N.L.A.		SFN-880-2
LW-13540	CYLINDER ASSY.	N.L.A.		SFN-880-2
LW-13558	GAGE ASSY.	LW-14763	ALL	
LW-13561	CYLINDER ASSY.	LW-14116	ALL	S.I. 1297, S.B. 334
LW-13564	CONTROLLER	N.L.A.		
LW-13566	ADAPTER	N.L.A.	ALL	
LW-13570	FUEL INJECTOR	N.L.A.		
LW-13573	CARBURETOR	N.L.A.		
LW-13622	VALVE-INTAKE ROT. TYPE	17A23937	ALL	S.I. 1037M
LW-13623	PISTON	LW-18729	ALL	NOTE 200
LW-13624	CYLINDER ASSY.	LW-12986	ALL	
LW-13641	MAGNETO DRIVE CUSHION	68H22624	ALL	S.I. 1299
LW-13642	GEAR RETAINER	LW-13899	ALL	S.I. 1299
LW-13649	BRACKET	LW-15953	ALL	NOTE 201, S.I. 1339
LW-13650	BRACKET	N.L.A.		
LW-13651	BRACKET	N.L.A.		
LW-13652	SUPPORT	N.L.A.		
LW-13656	CRANKSHAFT ASSY.	LW-17256	ALL	
LW-13657	CRANKSHAFT ASSY.	LW-17283	ALL	
LW-13659	CARBURETOR	LW-15986	ALL	
LW-13661	SUMP ASSY.	LW-15796	ALL	
LW-13667	TUBE ASSY.	N.L.A.	ALL	
LW-13672	RING	N.L.A.		
LW-13680-S	CRANKCASE ASSY.	LW-13680-1	ALL	
LW-13681	RING	69457	ALL	
LW-13683	BEARING	LW-14830	ALL	S.I.1512
LW-13686	GAGE ASSY.	LW-14757	ALL	
LW-13688	CRANKSHAFT ASSY.	LW-17170	ALL	
LW-13694-S	CRANKCASE ASSY.	LW-14666-S	ALL	
LW-13697	VALVE ASSY.	N.L.A.		



**SECTION 1  
NUMERICAL PARTS HISTORY SUPERSEDURES**

ORIGINAL PART NO.	NOMENCLATURE	SUPERSEDING PART NO.	USE	REFERENCES
LW-13705	ADAPTER	LW-15886	ALL	NOTE 201, S.I. 1361
LW-13710	PLUG	N.L.A.		
LW-13712	CHECK VALVE ASSY.	LW-13050	ALL	S.I. 1286
LW-13719	HOSE	73783	ALL	NOTE 201
LW-13720	TURBOCHARGER	LW-12950	ALL	
LW-13721	TURBOCHARGER	LW-12689	ALL	
LW-13736	FUEL PUMP	LW-13917	ALL	
LW-13740	GEAR ASSY.	N.L.A.		
LW-13749	OIL SEPERATOR	57A21009	ALL	
LW-13750	OIL VALVE	57B19829	ALL	
LW-13757	CARBURETOR	LW-15958	ALL	S.I.1523
LW-13760	SLEEVE	N.L.A.		
LW-13766	CRANKCASE ASSY.	N.L.A.		
LW-13769	CRANKCASE ASSY.	N.L.A.		
LW-13770	CRANKCASE ASSY.	N.L.A.		
LW-13771	CRANKCASE ASSY.	N.L.A.		
LW-13772	CRANKCASE ASSY.	N.L.A.		
LW-13774	IMPELLER	LW-18108	ALL	NOTE 201, S.B. 524
LW-13775	IMPELLER ASSY.	LW-18110	ALL	NOTE 201, S.B. 524
LW-13777	AIR BOX	N.L.A.		
LW-13778	ROD	N.L.A.		
LW-13779	VALVE ASSY.	LW-14445-4, LW-14445-6	ALL	NOTE 319
LW-13781-S	CRANKCASE ASSY.	LW-16761-S	ALL	
LW-13794-P12	STUD	N.L.A.		
LW-13799-S	CRANKCASE ASSY.	LW-13831-S	ALL	
LW-13800-S	CRANKCASE ASSY.	LW-13834-S	ALL	
LW-13801-S	CRANKCASE ASSY.	LW-13837-S	ALL	
LW-13802-S	CRANKCASE ASSY.	LW-13838-S	ALL	
LW-13803-S	CRANKCASE ASSY.	LW-13841-S	ALL	
LW-13808-S	CRANKCASE ASSY.	LW-18369-S	ALL	NOTE 201, S.I. 1432
LW-13809-S	CRANKCASE ASSY.	LW-18372-S	ALL	NOTE 201, S.I. 1432
LW-13810-S	CRANKCASE ASSY.	LW-18375-1	ALL	NOTE 201, S.I. 1432
LW-13811-S	CRANKCASE ASSY.	LW-18382-1	ALL	NOTE 201, S.I. 1432
LW-13812-S	CRANKCASE ASSY.	LW-18379-S	ALL	NOTE 201, S.I. 1432
LW-13813-S	CRANKCASE ASSY.	LW-18386-1	ALL	NOTE 201, S.I. 1432
LW-13814-S	CRANKCASE ASSY.	LW-18389-S	ALL	NOTE 201, S.I. 1432
LW-13815-S	CRANKCASE ASSY.	LW-13810-S	ALL	NOTE 201, S.I. 1432
LW-13816-S	CRANKCASE ASSY.	LW-13811-S	ALL	NOTE 201, S.I. 1432
LW-13817-S	CRANKCASE ASSY.	LW-18392-1	ALL	NOTE 201, S.I. 1432
LW-13818-S	CRANKCASE ASSY.	LW-18395-S	ALL	NOTE 201, S.I. 1432
LW-13819-S	CRANKCASE ASSY.	LW-13819-1	ALL	
LW-13819-1	CRANKCASE ASSY.	LW-13823-1		SELL LW-13823-S

**SECTION 1  
NUMERICAL PARTS HISTORY SUPERSEDURES**

ORIGINAL PART NO.	NOMENCLATURE	SUPERSEDING PART NO.	USE	REFERENCES
LW-13820-S	CRANKCASE ASSY.	LW-18398-S	ALL	NOTE 201, S.I. 1432
LW-13821-S	CRANKCASE ASSY.	LW-13821-1	ALL	
LW-13822-S	CRANKCASE ASSY.	LW-18399-1	ALL	NOTE 201, S.I. 1432
LW-13823-S	CRANKCASE ASSY.	LW-13823-1	ALL	
LW-13824-S	CRANKCASE ASSY.	LW-13822-S	ALL	
LW-13825-S	CRANKCASE ASSY.	LW-13809-S	ALL	
LW-13831-S	CRANKCASE ASSY.	LW-18349-1	ALL	NOTE 201, S.I. 1432
LW-13834-S	CRANKCASE ASSY.	N.L.A.		
LW-13837-S	CRANKCASE ASSY.	LW-18354-1	ALL	NOTE 201, S.I. 1432
LW-13838-S	CRANKCASE ASSY.	LW-16762-S	ALL	
LW-13841-S	CRANKCASE ASSY.	LW-15631-S	ALL	
LW-13844-S	CRANKCASE ASSY.	LW-16750	ALL	
LW-13847-S	CRANKCASE ASSY.	LW-14675-S	ALL	
LW-13850-S	CRANKCASE ASSY.	LW-15452-S	ALL	S.B. 392
LW-13851-S	CRANKCASE ASSY.	LW-15453-S	ALL	S.B. 392
LW-13854-S	CRANKCASE ASSY.	LW-15608-S	ALL	NOTE 201, S.I. 1432
LW-13857-S	CRANKCASE ASSY.	LW-16753-S	ALL	
LW-13863	SUMP ASSY.	LW-14257	ALL	
LW-13867	CRANKSHAFT ASSY.	LW-17652	ALL	
LW-13868	CRANKSHAFT ASSY.	LW-17682	ALL	
LW-13872	BAFFLE ASSY.	LW-15839	ALL	
LW-13873	CONTROLLER ASSY.	LW-16061	ALL	
LW-13877	CAMSHAFT ASSY.	LW-13879	ALL	NOTE 320
LW-13884	BEARING	18A19441		NOTE 3, NOTE 200, S.I. 1512
LW-13884-M03	BEARING	18A19441-M03		
LW-13884-M06	BEARING	18A19441-M06		
LW-13884-M10	BEARING	18A19441-M10		
LW-13884-P15	BEARING	N.L.A.		
LW-13884-P15M03	BEARING	N.L.A.		
LW-13884-P15-M03	BEARING	N.L.A.		
LW-13884-P15M06	BEARING	N.L.A.		
LW-13884-P15M10	BEARING	N.L.A.		
LW-13885	BEARING	18A19399		NOTE 3, NOTE 200, S.I. 1512
LW-13888	OIL SUCTION SCREEN	70484		AEIO-360-A1B6, A1E,H1B S.B. 564A
LW-13889	HOUSING ASSY.	LW-15584		NOTE 321
LW-13889	HOUSING ASSY.	N.L.A.		
LW-13890-S	HARNESS KIT	N.L.A.		
LW-13904	KIT, CONVERTER PLATE	54E23073	ALL	S.I. 1453, S.B. 543, SSP-885-2
LW-13908	CAMSHAFT	LW-19340		NOTE 322
LW-13909	FUEL PUMP	62E22581		S.B. 539

**SECTION 1  
NUMERICAL PARTS HISTORY SUPERSEDURES**

ORIGINAL PART NO.	NOMENCLATURE	SUPERSEDING PART NO.	USE	REFERENCES
LW-13910	FUEL PUMP ASSY.	62E22757	ALL	
LW-13911	PIPE	N.L.A.		
LW-13912	PIPE	N.L.A.		
LW-13913	PIPE	N.L.A.		
LW-13916	PIPE	N.L.A.		
LW-13917	FUEL PUMP ASSY.	62E22758	ALL	S.B. 494, S.B. 497
LW-13918	FUEL PUMP ASSY.	62E22759	ALL	S.B. 494, S.B. 497
LW-13919	FUEL PUMP ASSY.	62E22760	ALL	S.B. 494, S.B. 497
LW-13920	FUEL PUMP	62E22582	ALL	S.B. 539
LW-13921	FUEL PUMP ASSY.	62E22764	ALL	
LW-13936	COUPLING	LW-14985, LW-15768	ALL	NOTE 323
LW-13939	CLAMP	LW-18959-163-25	ALL	
LW-13944	PIPE	42E21363, 42E21364	ALL	NOTE 324
LW-13954-S	CAMSHAFT	LW-14827-S	ALL	NOTE 325
LW-13956	STRUT	LW-16757	ALL	NOTE 201, S.I. 1415
LW-13956	STRUT	N.L.A.		
LW-13958	STRUT	LW-16757	ALL	NOTE 201, S.I. 1415
LW-13959	STRUT	LW-18607	ALL	NOTE 201, S.I. 1415
LW-13961	MOUNT ASSY.	LW-18605	ALL	NOTE 201, S.I. 1415
LW-13962	MOUNT	LW-15770	ALL	
LW-13963	MOUNT ASSY.	LW-14723		S.B. 420
LW-13965	TURBOCHARGER	46A21184	ALL	NOTE 201, S.I. 1449
LW-13967	BAFFLE ASSY.	N.L.A.		
LW-13981	ELBOW	LW-18025	ALL	
LW-13982-P15	BEARING	74801-P15	ALL	
LW-13983-P15	BEARING	75517-P15	ALL	
LW-13986	PIPE	LW-15887	ALL	
LW-13989	CRANKSHAFT ASSY.	N.L.A.		
LW-13998	MANIFOLD ASSY.	N.L.A.		NOTE 205
LW-13999	MANIFOLD ASSY.	N.L.A.		NOTE 205
LW-14003	PIPE	LW-15689	ALL	S.I. 1363
LW-14006	TRANS. & WSTGTE ASSY.	LW-14717	ALL	NOTE 201
LW-14007	RING	N.L.A.		
LW-14009	HOUSING ASSY.	21A21536-01	ALL	
LW-14016	CARBURETOR	LW-16073		NOTE 326
LW-14016	CARBURETOR	61A26382		
LW-14022	CONTROLLER	LW-15792	ALL	
LW-14032	CRANKCASE ASSY.	LW-14135	ALL	
LW-14038	IMPELLER	LW-14712	ALL	S.B. 524
LW-14041	NOZZLE	N.L.A.		
LW-14042	FUEL INJECTOR	N.L.A.		

**SECTION 1  
NUMERICAL PARTS HISTORY SUPERSEDURES**

ORIGINAL PART NO.	NOMENCLATURE	SUPERSEDING PART NO.	USE	REFERENCES
LW-14043	SUPPORT-TURBOCHARGER	N.L.A.		
LW-14045	GUIDE	16R21705	ALL	S.I. 1256
LW-14047	HOUSING ASSY.	21A21536-01	ALL	
LW-14049	BOLT	LW-13904	ALL	SSP-885-1
LW-14050	PLUG	03C21076		NOTE 327
LW-14051	HOUSING ASSY.	N.L.A.		SSP-885-1
LW-14052-S	CRANKCASE ASSY.	N.L.A.		
LW-14053-S	CRANKCASE ASSY.	LW-15603-S	ALL	
LW-14057	CLIP	LW-620026-2	ALL	
LW-14060	CLIP	LW-620028-3		NOTE 328
LW-14062	FRONT THRUST BEARING	N.L.A.		
LW-14068	PIN	LW-13445	ALL	
LW-14069	VALVE ASSY.	LW-14445-3	ALL	
LW-14074	ADAPTER ASSY.	N.L.A.		
LW-14077	PIN, PISTON	LW-14078	ALL	S.B. 501
LW-14105	BEARING	18D19395		NOTE 3, NOTE 200, S.I. 1512
LW-14113	MANIFOLD ASSY.	N.L.A.		
LW-14134	HOSE	LW-18101	ALL	
LW-14135	CRANKCASE ASSY.	LW-18363-1	ALL	
LW-14138	FITTING	N.L.A.		
LW-14147	ALTERNATOR ASSY.	LW-14359	ALL	S.I. 1154
LW-14149	FITTING	LW-15394	ALL	NOTE 329
LW-14151	GASKET	STD 295	ALL	
LW-14163	SUMP ASSY.	LW-14900	ALL	
LW-14166	CRANKCASE ASSY.	LW-13781	ALL	
LW-14173	PULLEY & SHAFT ASSY.	LW-19263	ALL	NOTE 201
LW-14177	BELT	37A19773M464	ALL	
LW-14178	PLUG	03C21720	ALL	
LW-14180	CRANKSHAFT ASSY.	LW-17175	ALL	
LW-14195	FUEL INJECTOR	LW-15892	ALL	NOTE 201
LW-14197	MANIFOLD ASSY.	N.L.A.		NOTE 205
LW-14198	MANIFOLD ASSY.	N.L.A.		NOTE 205
LW-14204	NIPPLE	LW-16561	ALL	
LW-14207	STARTER	LW-15571	ALL	S.I. 1154
LW-14208	STARTER	LW-15572	ALL	S.I. 1154
LW-14209	STARTER	LW-15573	ALL	S.I. 1154
LW-14210	STARTER	LW-15574	ALL	S.I. 1154
LW-14211	STARTER	LW-15575	ALL	S.I. 1154
LW-14212	STARTER	LW-15576	ALL	S.I. 1154
LW-14213	STARTER	LW-15577	ALL	S.I. 1154

**SECTION 1  
NUMERICAL PARTS HISTORY SUPERSEDURES**

ORIGINAL PART NO.	NOMENCLATURE	SUPERSEDING PART NO.	USE	REFERENCES
LW-14220	ALTERNATOR	N.L.A.		S.I. 1154
LW-14221	ALTERNATOR	N.L.A.		S.I. 1154
LW-14222	ALTERNATOR	N.L.A.		S.I. 1154
LW-14223	ALTERNATOR	N.L.A.		S.I. 1154
LW-14229	BEARING, MAG. DRIVE	05B22779	ALL	
LW-14231	COUPLING	LW-14910	ALL	NOTE 200, NOTE 201
LW-14234	RING-PISTON-TOP COMPRESSION	COMPLETE CYLINDER KIT	0-235	NOTE 521 SEE SFN-880-3
LW-14252	HOUSING ASSY.	21A21534-09	ALL	
LW-14259	ELBOW	02A21378	ALL	S.B. 494, S.B. 497
LW-14262	CRANKCASE ASSY.	LW-13824-S	ALL	
LW-14263-S	CRANKCASE ASSY.	LW-13813-S	ALL	
LW-14264	CRANKCASE ASSY.	LW-12923	ALL	
LW-14278	BELT	37B19774-446	ALL	
LW-14282	PUMP, FUEL	75247	ALL	
LW-14290	SUMP ASSY.	N.L.A.		
LW-14299	CONTROLLER	N.L.A.		
LW-14300	ALTERNATOR	LW-14308	ALL	S.I. 1154
LW-14301	ALTERNATOR	N.L.A.		S.I. 1154
LW-14302	ALTERNATOR	N.L.A.		S.I. 1154
LW-14303	ALTERNATOR	N.L.A.		S.I. 1154
LW-14305	ALTERNATOR	LW-14372	ALL	S.I. 1154
LW-14306	ALTERNATOR	N.L.A.		S.I. 1154
LW-14307	ALTERNATOR	N.L.A.		S.I. 1154
LW-14308	ALTERNATOR	LW-14313	ALL	S.I. 1154
LW-14309	ALTERNATOR	LW-14314	ALL	S.I. 1154
LW-14310	ALTERNATOR	LW-14333	ALL	S.I. 1154
LW-14311	ALTERNATOR	LW-14334	ALL	S.I. 1154
LW-14312	ALTERNATOR	LW-14335	ALL	S.I. 1154
LW-14316	ALTERNATOR	LW-14318	ALL	S.I. 1154
LW-14317	ALTERNATOR	LW-14336	ALL	S.I. 1154
LW-14319	ALTERNATOR	32C19551	ALL	S.I. 1154
LW-14320	ALTERNATOR	LW-14323	ALL	S.I. 1154
LW-14321	ALTERNATOR	LW-14326	ALL	S.I. 1154
LW-14322	ALTERNATOR	32C19556	ALL	S.I. 1154
LW-14323	ALTERNATOR	LW-14327	ALL	S.I. 1154
LW-14324	ALTERNATOR	32C19553	ALL	S.I. 1154
LW-14325	ALTERNATOR	LW-14327	ALL	S.I. 1154
LW-14328	ALTERNATOR	N.L.A.		S.I. 1154
LW-14330	ALTERNATOR	N.L.A.		S.I. 1154
LW-14331	ALTERNATOR	LW-14329	ALL	S.I. 1154
LW-14334	ALTERNATOR	N.L.A.		S.I. 1154

**SECTION 1  
NUMERICAL PARTS HISTORY SUPERSEDURES**

ORIGINAL PART NO.	NOMENCLATURE	SUPERSEDING PART NO.	USE	REFERENCES
LW-14335	ALTERNATOR	N.L.A.		S.I. 1154
LW-14336	ALTERNATOR	N.L.A.		S.I. 1154
LW-14352	ALTERNATOR ASSY.	N.L.A.		S.I. 1154
LW-14355	ALTERNATOR ASSY.	N.L.A.		S.I. 1154
LW-14358	ALTERNATOR ASSY.	LW-14357	ALL	S.I. 1154
LW-14360	ALTERNATOR ASSY.	LW-14359	ALL	S.I. 1154
LW-14361	ALTERNATOR ASSY.	N.L.A.		S.I. 1154
LW-14362	ALTERNATOR ASSY.	N.L.A.		S.I. 1154
LW-14363	ALTERNATOR ASSY.	N.L.A.		S.I. 1154
LW-14364	ALTERNATOR ASSY.	N.L.A.		S.I. 1154
LW-14366	ALTERNATOR ASSY.	N.L.A.		S.I. 1154
LW-14372	ALTERNATOR ASSY.	N.L.A.		S.I. 1154
LW-14374	ALTERNATOR ASSY.	N.L.A.		S.I. 1154
LW-14375	ALTERNATOR ASSY.	N.L.A.		S.I. 1154
LW-14384	PUMP, FUEL	LW-13921	ALL	
LW-14391	FLANGE	LW-16036	ALL	
LW-14392	TUBE	LW-16716	ALL	
LW-14412	CRANKSHAFT ASSY.	LW-17165	ALL	
LW-14416	HOUSING ASSY.	21A21533-04	ALL	
LW-14419-S	CRANKCASE ASSY.	N.L.A.		
LW-14429	FUEL INJECTOR	LW-14609	ALL	
LW-14430	HEAT SHIELD	N.L.A.		
LW-14437	VALVE CHECK	LW-14437-3	ALL	
LW-14440	PLUG	N.L.A.		
LW-14445-1	VALVE ASSY.	LW-14445-10	ALL	
LW-14445-3	VALVE ASSY.	LW-14445-7		
LW-14445-5	VALVE ASSY.	LW-14445-7		
LW-14446	TURBOCHARGER	LW-15749	ALL	NOTE 201
LW-14447	STARTER	N.L.A.		S.I. 1154
LW-14451	BEARING	68763	ALL	
LW-14452	STRUT	LW-15979	ALL	
LW-14453	STRUT	LW-15978	ALL	
LW-14455	BRACKET	LW-15797	ALL	
LW-14456	PIPE	LW-15642	ALL	NOTE 201
LW-14463	TANK	LW-16446	ALL	
LW-14464	COUPLING ASSY.	N.L.A.		
LW-14473	LIFTER, HYDRAULIC	LW-15861	ALL	
LW-14474	FUEL INJECTOR	LW-15987	ALL	
LW-14480	GAGE ASSY.	LW-14784	ALL	
LW-14484	BRACKET	LW-15750	ALL	NOTE 201
LW-14487	ADAPTER ASSY.	N.L.A.		
LW-14491-S	CRANKCASE ASSY.	N.L.A.		

**SECTION 1  
NUMERICAL PARTS HISTORY SUPERSEDURES**

ORIGINAL PART NO.	NOMENCLATURE	SUPERSEDING PART NO.	USE	REFERENCES
LW-14493	PIPE	N.L.A.		
LW-14494	PIPE	N.L.A.		
LW-14495	PIPE	LW-15805	ALL	NOTE 201
LW-14496	PIPE	LW-15809	ALL	NOTE 201
LW-14497	BALL JOINT ASSY.	N.L.A.		
LW-14498	MANIFOLD ASSY.	LW-15812	ALL	NOTE 113, NOTE 205
LW-14499	MANIFOLD ASSY.	LW-15807	ALL	NOTE 205
LW-14500	TRANSITION	LW-16240	ALL	
LW-14504	CLAMP	LW-14525	ALL	NOTE 330
LW-14505	VALVE, WASTEGATE	LW-16237	ALL	NOTE 201
LW-14511	SHAFT	LW-15853		NOTE 201, NOTE 331
LW-14512	DRIVE ASSY.	LW-15856	ALL	NOTE 201
LW-14516-S	CRANKCASE ASSY.	N.L.A.		
LW-14520	CYLINDER ASSY.	N.L.A.		SFN-880-2
LW-14521	CRANKCASE ASSY.	N.L.A.		
LW-14548	BRACKET	LW-16013	ALL	
LW-14554	FUEL INJECTOR	N.L.A.		
LW-14555	FLANGE	73346, LW-16731	ALL	NOTE 332
LW-14559-S	CRANKCASE ASSY.	N.L.A.		
LW-14561	MAGNETO, LEFT	LW-15864, LW-16368		NOTE 333, S.I. 1362
LW-14562	MAG & HARNESS ASSY.	LW-15867, LW-16369		NOTE 333, S.I. 1362
LW-14571-S	CRANKCASE ASSY.	N.L.A.		
LW-14572	CABLE	LW-15437	ALL	
LW-14573	BRACKET	N.L.A.		
LW-14575-S	CRANKCASE ASSY.	N.L.A.		
LW-14577	CONE	LW-15520	ALL	
LW-14578	FUEL INJECTOR	LW-15664	ALL	
LW-14580	GAGE ASSY.	LW-14738	ALL	
LW-14581	ADAPTER	N.L.A.		
LW-14582	VALVE ASSY.	LW-14445-5	ALL	
LW-14583	SONIC NOZZLE	LW-15777	ALL	
LW-14585	FUEL INJECTOR	N.L.A.		
LW-14587	ADAPTER ASSY.	N.L.A.		
LW-14588	BAFFLE	N.L.A.		
LW-14589	LEVER	N.L.A.		
LW-14590	CONTROLLER	N.L.A.		
LW-14592	EXTENSION ASSY.	N.L.A.		
LW-14594	TRANSITION ASSY.	N.L.A.		
LW-14598-S	CRANKCASE ASSY.	LW-15634-S	ALL	
LW-14599	GAGE ASSY.	LW-14782	ALL	
LW-14603	CHAIN ASSY.	N.L.A.		

**SECTION 1  
NUMERICAL PARTS HISTORY SUPERSEDURES**

ORIGINAL PART NO.	NOMENCLATURE	SUPERSEDING PART NO.	USE	REFERENCES
LW-14604	BREATHER, SEPERATOR	N.L.A.		
LW-14605	CAP & EXT ASSY.	N.L.A.		
LW-14606	SPACER	N.L.A.		
LW-14607	SPACER	N.L.A.		
LW-14609	FUEL INJECTOR	LW-15971	ALL	
LW-14610-S	PISTON	14D23910	ALL	S.I. 1526
LW-14611	PIPE	N.L.A.		
LW-14612	PIPE	N.L.A.		
LW-14613	PIPE	N.L.A.		
LW-14614	PIPE	N.L.A.		
LW-14615	PIPE	N.L.A.		
LW-14616	PIPE	N.L.A.		
LW-14617	PIPE	N.L.A.		
LW-14618	PIPE	N.L.A.		
LW-14619	MANIFOLD ASSY., LEFT	N.L.A.		NOTE 205
LW-14620	MANIFOLD ASSY., RIGHT	N.L.A.		NOTE 205
LW-14621	ROD	N.L.A.		
LW-14622	TURBOCHARCER ASSY.	N.L.A.		
LW-14623	CONTROLLER	N.L.A.		
LW-14634	BRACKET ASSY.	LW-15953	ALL	
LW-14636	STUD	N.L.A.		
LW-14653	HEAT SHIELD	N.L.A.		
LW-14654	BRACKET	N.L.A.		
LW-14655	BRACKET	LW-15874	ALL	
LW-14657	CRANKSHAFT ASSY.	LW-15919	ALL	
LW-14659	CRANKSHAFT ASSY.	LW-15917	ALL	
LW-14663-S	CRANKCASE ASSY.	N.L.A.		
LW-14669-S	CRANKCASE ASSY.	N.L.A.		
LW-14675-S	CRANKCASE ASSY.	11E20000-D1-S, LW-16531	ALL	NOTE 334
LW-14688	BRACKET	N.L.A.		
LW-14689	CARBURETOR	LW-15504	ALL	S.B. 409
LW-14706	HOUSING ASSY.	21A21533-13, 21A19412		NOTE 335
LW-14709	OIL COOLER	N.L.A.		
LW-14712	IMPELLER ASSY.	LW-18109	ALL	S.B. 524
LW-14717	TRANS. & WSTGTE ASSY.	LW-14944	ALL	
LW-14721	BUSHING	LW-15692	ALL	S.I. 1358
LW-14723	MOUNT ASSY.	LW-15769	ALL	
LW-14726	GAGE	N.L.A.		
LW-14738	GAGE ASSY.	LW-14743	ALL	



**SECTION 1  
NUMERICAL PARTS HISTORY SUPERSEDURES**

ORIGINAL PART NO.	NOMENCLATURE	SUPERSEDING PART NO.	USE	REFERENCES
LW-14740	GAGE ASSY-OIL LEVEL	LW-14729	ALL	
LW-14748	GAGE ASSY.	LW-14796		NOTE 336
LW-14755	GAGE ASSY.	N.L.A.		
LW-14756-1	GAGE ASSY.	N.L.A.		S.B. 281
LW-14758	GAGE ASSY.	LW-16783-18	ALL	
LW-14762	GAGE ASSY.	N.L.A.		
LW-14764	GAGE ASSY.	N.L.A.		
LW-14768	GAGE ASSY.	LW-14798		NOTE 337
LW-14774-1	GAGE ASSY.	N.L.A.		S.B. 281
LW-14775-1	GAGE ASSY.	N.L.A.		S.B. 281
LW-14776	GAGE ASSY.	N.L.A.		
LW-14783	GAGE ASSY.	N.L.A.		
LW-14784	GAGE ASSY.	LW-15481		S.B. 407
LW-14786	GAGE ASSY.	LW-16783-1	ALL	
LW-14793	GAGE ASSY.	LW-16783-11		NOTE 398
LW-14797	GAGE ASSY.	LW-14799	ALL	NOTE 201
LW-14811	WASTEGATE ASSY.	N.L.A.		
LW-14817	ALTERNATOR ASSY.	LW-18906		S.I. 1154
LW-14821	CONNECTOR	LW-16019	ALL	
LW-14822	BRACKET	N.L.A.		
LW-14824	TRANS. & WSTGTE ASSY.	LW-16239	ALL	NOTE 201
LW-14826	ELBOW	N.L.A.		
LW-14827-S	CAMSHAFT	LW-14897-S	ALL	
LW-14828	REDUCER	AN919-15	ALL	
LW-14830	BEARING-CRANKSHAFT	18E23886	ALL	S.I. 1512 Sup. No. 1 NOTE 3
LW-14830-M03	BEARING-CRANKSHAFT	18E23886-M03	ALL	
LW-14830-M06	BEARING-CRANKSHAFT	18E23886-M06	ALL	
LW-14830-M10	BEARING-CRANKSHAFT	18E23886-M10	ALL	
LW-14831	BEARING	18D19395	ALL	
LW-14832	ALTERNATOR ASSY.	LW-18903	ALL	S.I. 1154
LW-14846	CYLINDER ASSY.	N.L.A.		SFN-880-2
LW-14848-8-186	HOSE ASSY.	LW-14848-8S186	ALL	S.I. 1274
LW-14851	PIPE	N.L.A.		
LW-14852	MANIFOLD ASSY.	N.L.A.		
LW-14884	CRANKSHAFT ASSY.	LW-15836	ALL	NOTE 201
LW-14887	CRANKSHAFT ASSY.	LW-16018	ALL	NOTE 201
LW-14891	SPACER	N.L.A.		
LW-14894	SEAT	LW-14893		NOTE 338
LW-14896	ELBOW	N.L.A.		

**SECTION 1  
NUMERICAL PARTS HISTORY SUPERSEDURES**

ORIGINAL PART NO.	NOMENCLATURE	SUPERSEDING PART NO.	USE	REFERENCES
LW-14897-S	CAMSHAFT	LW-18847	ALL	
LW-14898	BOLT	LW-16012	ALL	
LW-14900	SUMP ASSY.	LW-18438	ALL	NOTE 201
LW-14915	ELBOW	N.L.A.		
LW-14918	BODY ASSY.	LW-15933	ALL	
LW-14920	GAGE ASSY.	N.L.A.		
LW-14921	ADAPTER	N.L.A.		
LW-14922	BRACKET ASSY.	N.L.A.		
LW-14923	TUBE ASSY.	N.L.A.		
LW-14924	TUBE ASSY.	N.L.A.		
LW-14925	TUBE ASSY.	N.L.A.		
LW-14931-C	PIPE	N.L.A.		
LW-14933-C	PIPE	N.L.A.		
LW-14934-C	PIPE	N.L.A.		
LW-14935-C	PIPE	N.L.A.		
LW-14936	INTAKE PIPE	LW-16477	ALL	
LW-14944	TRANS. & WSTGTE ASSY.	LW-16863	ALL	S.B. 473
LW-14946	HOUSING ASSY.	56A21692-04	ALL	
LW-14948	ELBOW	N.L.A.		
LW-14952	HEAT SHIELD	N.L.A.		
LW-14954	BEARING	18N19391, 74309	ALL	NOTE 3
LW-14955	CLAMP	07C21369	ALL	S.B. 484, S.B. 499
LW-14958	CYLINDER ASSY.	LW-19048	ALL	
LW-14967	SUPPORT	LW-15764	ALL	
LW-14968	GASKET	N.L.A.		
LW-14970-S	CAMSHAFT	LW-18844	ALL	
LW-14971	KIT ASSY.	N.L.A.		
LW-14973	ADAPTER	LW-16254	ALL	NOTE 201, S.I. 1379
LW-14974	TUBE ASSY.	LW-16255	ALL	NOTE 201, S.I. 1379
LW-14975	GAGE ASSY.	LW-16256	ALL	NOTE 201, S.I. 1379
LW-14979	CRANKSHAFT ASSY.	LW-15921	ALL	NOTE 201
LW-15010	SEAT	LW-15402	ALL	
LW-15013	FUEL PUMP	LW-15399	ALL	
LW-15068	IMPELLER ASSY.	LW-15929	ALL	NOTE 201, S.B. 423
LW-15091	WASHER	LW-15709	ALL	
LW-15096	GEAR	LW-15659	ALL	
LW-15102	GAGE ASSY.	LW-14783	ALL	
LW-15143	BODY ASSY.	LW-15931	ALL	NOTE 201, S.B. 423
LW-15167	ADAPTER ASSY.	54C22166		
LW-15168	TAPPET	LW-16168	ALL	S.B. 424
LW-15260	RETAINER	LW-15790		NOTE 201, S.I. 1368
LW-15261	ADAPTER	LW-15389		NOTE 201

**SECTION 1  
NUMERICAL PARTS HISTORY SUPERSEDURES**

ORIGINAL PART NO.	NOMENCLATURE	SUPERSEDING PART NO.	USE	REFERENCES
LW-15265	STRUT	LW-16390	ALL	
LW-15269	GEAR	LW-15949	ALL	NOTE 201
LW-15273	CRANKCASE ASSY.	LW-15374	ALL	
LW-15274-P30	GEAR	N.L.A.		
LW-15276-P03	GEAR	N.L.A.		
LW-15278	BEARING	18D23136		NOTE 3, NOTE 200, S.I. 1512
LW-15281	TUBE	LW-16055	ALL	
LW-15288-H5-S	CONNECTING ROD ASSY.	N.L.A.		
LW-15311	CAMSHAFT ASSY.	LW-15645	ALL	NOTE 201
LW-15314	VALVE-INTAKE	17A23945	ALL	S.I. 1037
LW-15323	TUBE	LW-16056	ALL	
LW-15328	BEARING	18D23139	ALL	NOTE 3, NOTE 200, S.I. 1512
LW-15329	BEARING	LW-18017	ALL	
LW-15336	CAMSHAFT ASSY.	LW-15648	ALL	
LW-15343	CRANKCASE ASSY.	LW-15375	ALL	
LW-15347	IMPELLER ASSY.	LW-15927	ALL	S.B. 423
LW-15350	BRACKET	07A21516	ALL	
LW-15357	PISTON	14D23914	ALL	S.I. 1526
LW-15364	FITTING, BREATHER	AN840-12D	ALL	
LW-15366	PULLEY	LW-18804	ALL	
LW-15367	PULLEY & SHAFT ASSY.	LW-18809	ALL	
LW-15369	BRACKET	LW-16347	ALL	
LW-15372	CAMSHAFT ASSY.	LW-15657	ALL	
LW-15374	CRANKCASE ASSY.	LW-16605	ALL	
LW-15375	CRANKCASE ASSY.	LW-15668	ALL	S.I. 1402, S.I. 1406
LW-15377	TUBE	N.L.A.		
LW-15378-S	CRANKCASE ASSY.	LW-16608	ALL	
LW-15380	CARBURETOR	61C26049		S.I. 1523 ALTERNATE (O-360-SERIES)
LW-15385	CAMSHAFT ASSY.	LW-15649	ALL	
LW-15386	CAMSHAFT ASSY.	LW-15646	ALL	
LW-15389	ADAPTER & SEAL ASSY.	LW-16575	ALL	NOTE 201
LW-15402	SEAT	LW-15407	ALL	
LW-15404	ALTERNATOR ASSY.	32B19555	ALL	S.I. 1154
LW-15416	MAG. DR. ADAPTER ASSY.	68N23130	ALL	S.I. 1510A S.I. 1436A
LW-15420	HOUSING ASSY.	21A21533-14	ALL	
LW-15421	HOUSING ASSY.	21A21533-15	ALL	
LW-15438	CYLINDER ASSY.	LW-12988	ALL	NOTE 201
LW-15445-S	CAMSHAFT	LW-11754	ALL	

**SECTION 1  
NUMERICAL PARTS HISTORY SUPERSEDURES**

ORIGINAL PART NO.	NOMENCLATURE	SUPERSEDING PART NO.	USE	REFERENCES
LW-15447	GAGE ASSY.	LW-15481	ALL	S.B. 407
LW-15452-S	CRANKCASE ASSY.	LW-15634-S	ALL	NOTE 201
LW-15453-S	CRANKCASE ASSY.	LW-15452-S	ALL	NOTE 201
LW-15475	SUPPORT ASSY.	N.L.A.		
LW-15479	ELBOW	LW-16741	ALL	
LW-15481	GAGE ASSY.	N.L.A.		S.B. 407
LW-15482	ELBOW	N.L.A.		
LW-15483	STARTER	LW-16207	ALL	S.I. 1154, S.I. 1383
LW-15484-15	PLUG-SHIPPING	N.L.A.		
LW-15484-17	PLUG-SHIPPING	N.L.A.		
LW-15484-19	PLUG-SHIPPING	N.L.A.		
LW-15484-20	PLUG-SHIPPING	N.L.A.		
LW-15484-21	PLUG-SHIPPING	N.L.A.		
LW-15484-22	PLUG-SHIPPING	N.L.A.		
LW-15484-25	PLUG-SHIPPING	N.L.A.		
LW-15484-29	PLUG-SHIPPING	N.L.A.		
LW-15497	CYLINDER ASSY.	N.L.A.		SFN-880-2
LW-15504	CARBURETOR	LW-15674	ALL	
LW-15506	FUEL PUMP	62D22570, 62D22574	ALL	S.B. 539, NOTE 496
LW-15520	CONE	N.L.A.		
LW-15526	COUNTERWEIGHT ASSY.	LW-15956		
LW-15540	CRANKSHAFT ASSY.	LW-17257	ALL	
LW-15541	CRANKSHAFT ASSY.	LW-17284	ALL	
LW-15542-S	CRANKCASE ASSY.	LW-12372-S	ALL	
LW-15546	DRIVE ASSY.	LW-19073	ALL	NOTE 201
LW-15551	CRANKSHAFT ASSY.	LW-15564	ALL	
LW-15568	ADAPTER	LW-19066	ALL	NOTE 201
LW-15573	STARTER	LW-18989	ALL	S.I. 1154
LW-15574	STARTER	LW-18990	ALL	S.I. 1154
LW-15575	STARTER	N.L.A.		S.I. 1154
LW-15579	ADAPTER ASSY.	LW-19068	ALL	NOTE 201
LW-15580	DRIVE ASSY.	LW-19069	ALL	NOTE 201
LW-15584	HOUSING ASSY.	N.L.A.		
LW-15585	TAPPET	LW-16585	ALL	S.B. 424
LW-15590	HOUSING ASSY.	LW-16030	ALL	NOTE 339
LW-15592-8E48	CLAMP	N.L.A.		
LW-15608-S	CRANKCASE ASSY.	11E20000-D1-S, LW-16529	ALL	NOTE 340
LW-15613	KIT, COMPRESSOR DRIVE	N.L.A.		
LW-15614	SUMP	N.L.A.		
LW-15616	TEE, RESTRICTED	LW-15808	ALL	NOTE 113
LW-15622	FILTER ASSY.	N.L.A.		SSP-885-1

**SECTION 1  
NUMERICAL PARTS HISTORY SUPERSEDURES**

ORIGINAL PART NO.	NOMENCLATURE	SUPERSEDING PART NO.	USE	REFERENCES
LW-15623	FILTER ASSY.	N.L.A.		SSP-885-1
LW-15624	FILTER ASSY.	N.L.A.		SSP-885-1
LW-15625	FILTER ASSY.	N.L.A.		SSP-885-1
LW-15626	CARBURETOR	LW-16062	ALL	
LW-15631-S	CRANKCASE ASSY.	LW-18723	ALL	S.I. 1432
LW-15634-S	CRANKCASE ASSY.	11F20022-D3-S, 11F20022-D3-S-1	ALL	NOTE 341. S.B. 392
LW-15635	MAG. & HARNESS ASSY.	66HP-0SANN & 67P20406	ALL	
LW-15636	MAGNETO	66HP-0SANN	ALL	
LW-15637	MAG. & HARNESS ASSY.	66HC20SFNN & 67P20407	ALL	
LW-15638	MAGNETO	66HC20SFNN	ALL	
LW-15645	CAMSHAFT ASSY.	LW-15651	ALL	S.I. 1406
LW-15646	CAMSHAFT ASSY.	LW-15652	ALL	S.I. 1406
LW-15648	CAMSHAFT ASSY.	LW-15654	ALL	S.I. 1406
LW-15649	CAMSHAFT ASSY.	LW-15655	ALL	S.I. 1406
LW-15651	CAMSHAFT ASSY.	LW-16001	ALL	S.I. 1406
LW-15652	CAMSHAFT ASSY.	LW-16002	ALL	S.I. 1406
LW-15654	CAMSHAFT ASSY.	LW-16004	ALL	S.I. 1406
LW-15655	CAMSHAFT ASSY.	LW-16005	ALL	S.I. 1406
LW-15657	CAMSHAFT ASSY.	LW-16007	ALL	S.I. 1406
LW-15658	CAMSHAFT ASSY.	LW-16008	ALL	S.I. 1406
LW-15661	CASE ASSY.	N.L.A.		
LW-15662	BRACKET	N.L.A.		
LW-15663	CARBURETOR	LW-15960	ALL	
LW-15668	CRANKCASE ASSY.	LW-16609	ALL	
LW-15674	CARBURETOR	LW-15985, LW-15961	ALL	NOTE 342
LW-15679	HARNESS ASSY.	N.L.A.		
LW-15682	CYLINDER ASSY.	N.L.A.		SFN-880-2
LW-15691	MANIFOLD ASSY.	N.L.A.		NOTE 205
LW-15693	CLAMP	LW-16222	ALL	NOTE 201
LW-15694	STRAP	LW-18095	ALL	NOTE 201
LW-15705	CRANKSHAFT ASSY.	LW-17249	ALL	
LW-15706	CRANKSHAFT ASSY.	LW-17276	ALL	
LW-15712	SUPPORT ASSY.	N.L.A.		
LW-15715	SUMP ASSY.	LW-18436	ALL	
LW-15720	MANIFOLD ASSY.	N.L.A.		
LW-15732	VALVE	LW-18497	ALL	S.I. 1037
LW-15740	FUEL PUMP	62E22584		S.B. 539
LW-15766	TRANS. & WSTGTE ASSY.	LW-16864	ALL	NOTE 201
LW-15767	LEVER	LW-16611		NOTE 201, NOTE 343

**SECTION 1  
NUMERICAL PARTS HISTORY SUPERSEDURES**

ORIGINAL PART NO.	NOMENCLATURE	SUPERSEDING PART NO.	USE	REFERENCES
LW-15768	COUPLING	LW-16757	ALL	NOTE 201, S.I. 1415, NOTE 344
LW-15769	MOUNT ASSY.	LW-16757	ALL	NOTE 201, S.I. 1415
LW-15770	MOUNT	LW-16757	ALL	NOTE 201, S.I. 1415
LW-15771	CARBURETOR	LW-15963	ALL	
LW-15777	SONIC NOZZLE	N.L.A.		
LW-15789	FUEL INJECTOR	LW-16063	ALL	
LW-15793	KIT ASSY.	N.L.A.		SFN-880-2
LW-15797	BRACKET	LW-16076	ALL	
LW-15798	TRANS & WSTGTE ASSY.	LW-16238	ALL	NOTE 201
LW-15803	CRANKSHAFT ASSY.	LW-17759	ALL	
LW-15804	CRANKSHAFT ASSY.	LW-17784	ALL	
LW-15807	MANIFOLD ASSY.	N.L.A.		NOTE 205
LW-15808	TEE, RESTRICTED	02A21381	ALL	S.B. 494, S.B. 497
LW-15809	PIPE, EXHAUST	40B21375	ALL	S.B. 484, S.B. 499
LW-15810	PIPE, EXHAUST	LW-16102 & LW-16103	ALL	S.B. 484, S.B. 499
LW-15811	PIPE, EXHAUST	40B21375	ALL	S.B. 484, S.B. 499
LW-15811	PIPE, EXHAUST	N.L.A.		
LW-15812	MANIFOLD ASSY.	N.L.A.		NOTE 205
LW-15813	BELT	LW-18129	ALL	
LW-15830	GEAR	LW-16656	ALL	
LW-15831	COVER ASSY.	28M21734	ALL	
LW-15832	ADAPTER ASSY.	LW-16745	ALL	
LW-15833	DUAL DRIVE ASSY.	LW-16657	ALL	
LW-15835	CRANKSHAFT ASSY.	LW-17252	ALL	
LW-15836	CRANKSHAFT ASSY.	LW-17279	ALL	
LW-15851	ADAPTER ASSY.	LW-19082	ALL	NOTE 201
LW-15852	ADAPTER ASSY.	LW-19080	ALL	NOTE 201
LW-15856	DRIVE ASSY.	LW-19083	ALL	NOTE 201
LW-15858-62-262	CLAMP	LW-15858-62-269	ALL	
LW-15858-62-344	CLAMP	LW-15858-62-350	ALL	
LW-15858-62-438	CLAMP	LW-15858-62-443	ALL	
LW-15858-75-344	CLAMP	LW-15858-62-350	ALL	
LW-15858-75-400	CLAMP	N.L.A.		
LW-15861	HYDRAULIC LIFTER	15B26090		S.I. 1529, IN COMPLETE SETS
LW-15863	IMPELLER ASSY.	LW-18110 or 05K19423-S	ALL	S.B. 524
LW-15864	MAGNETO	LW-16370	ALL	
LW-15865	MAG. & HARNESS ASSY.	LW-16372	ALL	
LW-15866	HARNESS	67P20438	ALL	
LW-15867	MAG. & HARNESS ASSY.	LW-16371	ALL	S.I. 1385

**SECTION 1  
NUMERICAL PARTS HISTORY SUPERSEDURES**

ORIGINAL PART NO.	NOMENCLATURE	SUPERSEDING PART NO.	USE	REFERENCES
LW-15868	HARNESS ASSY.	67P20437	ALL	
LW-15872	CRANKSHAFT ASSY.	N.L.A.		
LW-15874	BRACKET	N.L.A.		
LW-15877-S	CAMSHAFT	LW-18848	ALL	
LW-15880-S	CRANKCASE ASSY.	N.L.A.		
LW-15881	HOUSING ASSY.	21C21539-01	ALL	
LW-15887	PIPE, EXHAUST	LW-19347		NOTE 366
LW-15892	FUEL INJECTOR	N.L.A.		
LW-15893	COVER, OIL PUMP	N.L.A.		
LW-15895	REGULATOR	N.L.A.		S.I. 1154
LW-15917	CRANKSHAFT ASSY.	LW-15948	ALL	S.B. 422
LW-15919	CRANKSHAFT ASSY.	LW-15946	ALL	
LW-15921	CRANKSHAFT ASSY.	LW-15947	ALL	
LW-15927	IMPELLER, OIL PUMP	LW-15998	ALL	S.B. 423
LW-15929	IMPELLER ASSY.	LW-15999	ALL	S.B. 423
LW-15931	BODY ASSY.	51A21091	ALL	
LW-15933	BODY ASSY.	LW-15976	ALL	
LW-15946	CRANKSHAFT ASSY.	LW-17070	ALL	
LW-15947	CRANKSHAFT ASSY.	LW-17068	ALL	
LW-15948	CRANKSHAFT ASSY.	LW-17069	ALL	
LW-15956	COUNTERWEIGHT ASSY.	LW-19210	ALL	
LW-15957	CARBURETOR	61E21713	ALL	S.I. 1110
LW-15959	CARBURETOR	LW-16625, LW-18663		NOTE 345
LW-15961	CARBURETOR	LW-16028, LW-16560		NOTE 346
LW-15963	CARBURETOR	LW-18987	ALL	
LW-15971	FUEL INJECTOR	LW-18111		NOTE 347
LW-15976	BODY ASSY.	51A21092	ALL	
LW-15978	STRUT	LW-16952	ALL	S.I. 1408
LW-15979	STRUT	LW-16953	ALL	S.I. 1408
LW-15981	CARBURETOR	N.L.A.		S.I. 1421
LW-15985	CARBURETOR	LW-16028	ALL	
LW-16001	CAMSHAFT ASSY.	LW-16508	ALL	S.I. 1406
LW-16002	CAMSHAFT ASSY.	LW-16509	ALL	
LW-16004	CAMSHAFT ASSY.	LW-16511	ALL	
LW-16005	CAMSHAFT ASSY.	LW-16512	ALL	
LW-16007	CAMSHAFT ASSY.	LW-16514	ALL	S.I. 1406
LW-16008	CAMSHAFT ASSY.	LW-16515	ALL	S.I. 1406
LW-16009	MAG. & HARNESS ASSY.	LW-16373	ALL	S.I. 1385
LW-16010	MAG. & HARNESS ASSY.	LW-16374	ALL	S.I. 1385
LW-16011	HOUSING ASSY.	21A23000-11-S	ALL	

**SECTION 1  
NUMERICAL PARTS HISTORY SUPERSEDURES**

ORIGINAL PART NO.	NOMENCLATURE	SUPERSEDING PART NO.	USE	REFERENCES
LW-16012	BOLT	LW-15996		NOTE 348
LW-16017	CRANKSHAFT ASSY.	LW-17253	ALL	
LW-16018	CRANKSHAFT ASSY.	LW-17280	ALL	
LW-16039	SUPPORT ASSY.	LW-16471	ALL	
LW-16040	CRANKSHAFT ASSY.	LW-17683	ALL	
LW-16047	BEARING	LW-11021	ALL	
LW-16048	BEARING	LW-13521	ALL	
LW-16059	CRANKSHAFT ASSY.	LW-17327	ALL	
LW-16062	CARBURETOR	LW-15959	ALL	
LW-16063	FUEL INJECTOR	LW-16667	ALL	
LW-16066	CARBURETOR	LW-16206	ALL	
LW-16071	CONTROLLER ASSY.	N.L.A.		
LW-16073	CARBURETOR	LW-16907		NOTE 349
LW-16074	ADAPTER	N.L.A.		
LW-16075	ELBOW	N.L.A.		
LW-16076	BRACKET	LW-16090	ALL	
LW-16081	HOUSING ASSY.	N.L.A.		S.I. 1394
LW-16083	HOUSING ASSY.	N.L.A.		
LW-16092	MAG. & HARNESS ASSY.	LW-16377	ALL	
LW-16093	MAG. & HARNESS ASSY.	LW-16378	ALL	S.I. 1385
LW-16094	MAGNETO	LW-16376	ALL	
LW-16095	HARNESS ASSY.	LW-16549	ALL	
LW-16096	HARNESS ASSY.	LW-16550	ALL	
LW-16109-S	CRANKCASE ASSY.	LW-18414-S	ALL	S.I. 1432
LW-16134	BODY ASSY.	N.L.A.		
LW-16136	BODY ASSY.	N.L.A.		
LW-16140-4S075	HOSE	LW-12876-4S066	ALL	
LW-16143	BEARING CONNECTING ROD	18M23887	ALL	S.I. 1512 Sup. No. 1 NOTE 3
LW-16143-M03	BEARING CONNECTING ROD	18M23887-M03	ALL	
LW-16143-M06	BEARING CONNECTING ROD	18M23887-M06	ALL	
LW-16143-M10	BEARING CONNECTING ROD	18M23887-M10	ALL	
LW-16168	TAPPET	LW-16585	ALL	S.B. 424
LW-16181	CLAMP	LW-16457	ALL	
LW-16206	CARBURETOR	LW-18987	ALL	
LW-16238	TRANS & WSTGTE ASSY.	LW-16482	ALL	NOTE 201
LW-16239	TRANS. & WSTGTE ASSY.	LW-16616	ALL	NOTE 201
LW-16254	ADAPTER	02E19869	ALL	S.I. 1379
LW-16266-10-1.25	CLAMP	N.L.A.		



**SECTION 1  
NUMERICAL PARTS HISTORY SUPERSEDURES**

ORIGINAL PART NO.	NOMENCLATURE	SUPERSEDING PART NO.	USE	REFERENCES
LW-16266-10-75	CLAMP	LW-16266-10-63		(L)TIO-540-J2B
LW-16266-31-75	CLAMP	N.L.A.		
LW-16286	FILTER ASSY.	LW-13906	ALL	SSP-885-1
LW-16287	FILTER ASSY.	LW-13905	ALL	SSP-885-1
LW-163005-11	MAGNETO	66B21773	ALL	
LW-163005-2	MAGNETO	LW-163005-11, 66B21772	ALL	NOTE 403, S.I. 1325
LW-163010-1	MAGNETO	66B21775	ALL	
LW-163010-10	MAGNETO	66B21774	ALL	
LW-163010-15	MAGNETO	66B21777	ALL	
LW-163010-2	MAGNETO	66B21776	ALL	
LW-16304	GEAR ASSY.	LW-19292	ALL	NOTE 201
LW-163045-3	MAGNETO	66B21778	ALL	
LW-163045-6	MAGNETO	66B21779	ALL	
LW-163045-8	MAGNETO	LW-163045-3	ALL	
LW-163050-1	MAGNETO	66B21781	ALL	
LW-163050-12	MAGNETO	66B21783	ALL	
LW-163050-7	MAGNETO	66B21782	ALL	
LW-163050-9	MAGNETO	66B21780	ALL	
LW-16309-S	CRANKCASE ASSY.	LW-16735	ALL	
LW-16310-S	CRANKCASE ASSY.	LW-16734	ALL	
LW-16311	VALVE ASSY.	N.L.A.		
LW-16334-S	CRANKCASE ASSY.	LW-16756-S	ALL	
LW-16337	SUMP ASSY.	LW-16890	ALL	NOTE 201
LW-16341	PIPE, INTAKE	LW-18641	ALL	NOTE 350
LW-16346	PIPE, INTAKE	LW-16768	ALL	
LW-16347	BRACKET	LW-19282	ALL	
LW-16354	CRANKCASE ASSY.	N.L.A.		
LW-16364	MAGNETO	LW-15636	ALL	S.I. 1385
LW-16365	MAG. & HARNESS ASSY.	LW-15635	ALL	S.I. 1385
LW-16366	MAGNETO	LW-15638	ALL	S.I. 1385
LW-16367	MAG. & HARNESS ASSY.	LW-15637	ALL	S.I. 1385
LW-16368	MAGNETO	LW-16594	ALL	S.I. 1385
LW-16369	MAG. & HARNESS ASSY.	LW-16587	ALL	S.I. 1385
LW-16370	MAGNETO	LW-16595	ALL	S.I. 1385
LW-16371	MAG. & HARNESS ASSY.	LW-16588	ALL	S.I. 1385
LW-16372	MAG. & HARNESS ASSY.	LW-16596	ALL	S.I. 1385
LW-16373	MAG. & HARNESS ASSY.	LW-16589	ALL	S.I. 1385
LW-16374	MAG. & HARNESS ASSY.	LW-16590	ALL	S.I. 1385

**SECTION 1  
NUMERICAL PARTS HISTORY SUPERSEDURES**

ORIGINAL PART NO.	NOMENCLATURE	SUPERSEDING PART NO.	USE	REFERENCES
LW-16375	MAG. & HARNESS ASSY.	LW-16591	ALL	S.I. 1385
LW-16376	MAGNETO	LW-15638	ALL	S.I. 1385
LW-16377	MAG. & HARNESS ASSY.	LW-16650	ALL	S.I. 1385
LW-16378	MAG. & HARNESS ASSY.	LW-16651	ALL	S.I. 1385
LW-16388	MANIFOLD ASSY.	N.L.A.		NOTE 205
LW-16389	MANIFOLD ASSY.	N.L.A.		NOTE 205
LW-16413	CARBURETOR	LW-18813	ALL	
LW-16418	ELBOW	LW-16747	ALL	
LW-16419	CARBURETOR	61E22563	ALL	
LW-16427	FUEL PUMP	LW-16928	ALL	
LW-16437	HOUSING ASSY.	21A21533-05	ALL	
LW-16450-S	CRANKCASE ASSY.	LW-18402-S	ALL	S.I. 1432
LW-16457	CLAMP-HOSE	LW-15592-8-28	ALL	
LW-16458	FILTER & STUD ASSY.	LW-13215	ALL	SSP-885-1
LW-16459	FILTER & STUD ASSY.	LW-13216	ALL	SSP-885-1
LW-16468	MANIFOLD ASSY.	N.L.A.		NOTE 205
LW-16469	MANIFOLD ASSY.	N.L.A.		NOTE 205
LW-16470	SUPPORT ASSY.	LW-16471	ALL	
LW-16471	SUPPORT ASSY.	31M21951		NOTE 400
LW-16474	CLAMP	LW-15592-8-24	ALL	
LW-16477-C	PIPE	N.L.A.		
LW-16480	SUPPORT	N.L.A.		
LW-16481	STRUT ASSY.	LW-18607	ALL	S.I. 1415
LW-16482	TRANS. & WSTGTE ASSY.	LW-16813	ALL	NOTE 201
LW-16486	PIPE, INTAKE	LW-16706	ALL	NOTE 401
LW-16491	FLANGE	LW-16902	ALL	NOTE 201,NOTE 218
LW-16492	PIPE	LW-16901	ALL	NOTE 201,NOTE 218
LW-16493	MANIFOLD ASSY.	LW-16909		NOTE 205
LW-16494	GEAR RETAINER ASSY.	LW-19096	ALL	NOTE 201
LW-16495	GEAR RETAINER ASSY.	LW-19102	ALL	NOTE 201
LW-16496	GEAR RETAINER ASSY.	LW-19100	ALL	NOTE 201
LW-16523	SUPPORT ASSY.	LW-16795, LW-16796	ALL	NOTE 351
LW-16529-S	CRANKCASE ASSY.	11E20000-D2-S	ALL	NOTE 352
LW-16531-S	CRANKCASE ASSY.	11E20000-D2-S	ALL	
LW-16549	MAG. & HARNESS ASSY.	LW-16893	ALL	NOTE 201
LW-16550	MAG. & HARNESS ASSY.	LW-16892	ALL	NOTE 201
LW-16551	MAG. & HARNESS ASSY.	LW-16650	ALL	S.I. 1385

**SECTION 1  
NUMERICAL PARTS HISTORY SUPERSEDURES**

ORIGINAL PART NO.	NOMENCLATURE	SUPERSEDING PART NO.	USE	REFERENCES
LW-16552	MAG. & HARNESS ASSY.	LW-16651	ALL	S.I. 1385
LW-16553	FUEL PUMP ASSY.	62E22767	ALL	
LW-16554	FUEL PUMP ASSY.	62E22761	ALL	
LW-16555	FUEL PUMP ASSY.	62E22768	ALL	
LW-16556	FUEL PUMP ASSY.	62E22771	ALL	
LW-16559	CARBURETOR	61B26215		S.I. 1523 ALTERNATES (O-360-D2A)
LW-16560	CARBURETOR	LW-16871	ALL	
LW-16566	BEARING	18A19399	ALL	
LW-16577	SUPPORT ASSY.	LW-13675, LW-18694	ALL	NOTE 353
LW-16585	TAPPET	LW-16586	ALL	S.B. 424, S.B. 435
LW-16586	HYDRAULIC LIFTER	15B26089		S.I. 1529B
LW-16587	MAG. & HARNESS ASSY.	66HC15SFNN, 67P20407	ALL	NOTE 205
LW-16588	MAG. & HARNESS ASSY.	66HC05SFNN, 67P20437	ALL	NOTE 205
LW-16589	MAG. & HARNESS ASSY.	66HC05SFNN, 67P20407	ALL	NOTE 205
LW-16590	MAG. & HARNESS ASSY.	66HC05SFNN, 67P20406	ALL	NOTE 205
LW-16591	MAG. & HARNESS ASSY.	66HC20SFNN, 67P20406	ALL	NOTE 205
LW-16592	MAG. & HARNESS ASSY.	LW-16650	ALL	
LW-16593	MAG. & HARNESS ASSY.	LW-16651	ALL	
LW-16594	MAGNETO	66HC15SFNN	ALL	
LW-16595	MAGNETO	66HC05SFNN	ALL	
LW-16596	MAG. & HARNESS ASSY.	66HP-0SANN, 67P20438	ALL	NOTE 205
LW-16604	BAFFLE	LW-18107	ALL	
LW-16605	CRANKCASE ASSY.	LW-16799-S	ALL	
LW-16608	CRANKCASE ASSY.	LW-16806-S	ALL	
LW-16609	CRANKCASE ASSY.	LW-16805-S	ALL	
LW-16616	TRANS. & WSTGTE ASSY.	LW-16811	ALL	
LW-16624	BAND	LW-16705	ALL	NOTE 201
LW-16625	CARBURETOR	61E26393		S.I.1523B
LW-16650	MAG. & HARNESS ASSY.	LW-16894	ALL	
LW-16651	MAG. & HARNESS ASSY.	LW-16895	ALL	
LW-16657	DUAL DRIVE ASSY.	27K21733	ALL	
LW-16658	STRUT	N.L.A.		
LW-16661	BRACKET	N.L.A.		
LW-16667	FUEL INJECTOR ASSY.	LW-16610	ALL	NOTE 201

**SECTION 1  
NUMERICAL PARTS HISTORY SUPERSEDURES**

ORIGINAL PART NO.	NOMENCLATURE	SUPERSEDING PART NO.	USE	REFERENCES
LW-16674	NOZZLE	LW-18265	ALL	
LW-16675	NOZZLE	LW-18267	ALL	
LW-16676	NOZZLE	LW-18266	ALL	
LW-16677	CARBURETOR	61A26384		S.I. 1523
LW-16684	BODY ASSY.	51A21091	ALL	
LW-16685	MAG. & HARNESS ASSY.	66HC15SFNN, 67P20406	ALL	NOTE 205
LW-16688	BODY ASSY.	51A21092	ALL	
LW-16689	HOUSING ASSY.	21A21536-02	ALL	
LW-16690	HOUSING ASSY.	21A21536-02	ALL	
LW-16692	BAFFLE ASSY.	LW-18832	ALL	
LW-16701	CYLINDER ASSY.	16A19731	ALL	NOTE 201
LW-16703	CYLINDER ASSY.	16A23033	ALL	S.I. 1504
LW-16704	CYLINDER ASSY.	16A23034	ALL	S.I. 1504
LW-16711	BEARING	18D23135		NOTE 3, NOTE 200, S.I. 1512
LW-16711-M03	BEARING	18D23135-M03		
LW-16711-M06	BEARING	18D23135-M06		
LW-16711-M10	BEARING	18D23135-M10		
LW-16711-P15	BEARING	N.L.A.		
LW-16716	TUBE	02P21177		NOTE 354, NOTE 201
LW-16721	CARBURETOR	LW-18987	ALL	
LW-16725	HOUSING ASSY.	LW-18309	ALL	
LW-16731	FLANGE	74360	ALL	
LW-16733	SPACER	N.L.A.		
LW-16734-S	CRANKCASE ASSY.	LW-16804	ALL	
LW-16735-S	CRANKCASE ASSY.	LW-16802-S	ALL	NOTE 201
LW-16740	VALVE-EXH. ROT. TYPE	17B23935		SSN 254B NOTE 517 S.I. 1037M
LW-16741	ELBOW	LW-18977	ALL	
LW-16746	TUBE	LW-18944	ALL	NOTE 201
LW-16750-S	CRANKCASE ASSY.	LW-18339-S	ALL	
LW-16753-S	CRANKCASE ASSY.	LW-18343-S	ALL	S.I. 1432
LW-16756-S	CRANKCASE ASSY.	LW-18093	ALL	S.I. 1432
LW-16761-S	CRANKCASE ASSY.	LW-18342-S	ALL	S.I. 1432
LW-16762-S	CRANKCASE ASSY.	LW-18337-S	ALL	S.I. 1432
LW-16767	PIPE	N.L.A.		
LW-16781	BEARING	LW-14830	ALL	
LW-16782-2	GAGE ASSY.	N.L.A.		
LW-16783-11	GAGE ASSY.	LW-16783-13	ALL	
LW-16783-17	GAGE ASSY.	LW-16783-17P		
LW-16783-19	GAGE ASSY.	LW-16783-27	ALL	
LW-16783-20	GAGE ASSY.	N.L.A.		

**SECTION 1  
NUMERICAL PARTS HISTORY SUPERSEDURES**

ORIGINAL PART NO.	NOMENCLATURE	SUPERSEDING PART NO.	USE	REFERENCES
LW-16783-26	GAGE ASSY.	LW-16783-29		IO-540-AC1A5, TIO-540-AJ1A
LW-16783-27	GAGE ASSY.	N.L.A.		
LW-16783-7	GAGE ASSY.	N.L.A.		
LW-16783-8	GAGE ASSY.	LW-14756	ALL	
LW-16783-9	GAGE ASSY.	LW-16783-10	ALL	
LW-16783-11	GAGE ASSY.	LW-16783-13	ALL	
LW-16783-17	GAGE ASSY.	LW-16783-17P		
LW-16783-19	GAGE ASSY.	LW-16783-27	ALL	
LW-16783-22	GAGE ASSY.	LW-16783-22P	ALL	
LW-16791	MANIFOLD ASSY.	N.L.A.		NOTE 205, S.I. 1410
LW-16794	MANIFOLD ASSY.	N.L.A.		NOTE 205, S.I. 1410
LW-16796	SUPPORT ASSY.	N.L.A.		
LW-16799	CRANKCASE ASSY.	LW-16818-S	ALL	
LW-16800	SEAT	LW-11900		NOTE 113, NOTE 355
LW-16802-S	CRANKCASE ASSY.	LW-18282	ALL	NOTE 201, S.I. 1402 S.I. 1406
LW-16804	CRANKCASE ASSY.	LW-18283-S	ALL	NOTE 201, S.I. 1402, S.I. 1406
LW-16805	CRANKCASE ASSY.	LW-16819-S	ALL	NOTE 201, S.I. 1402, S.I. 1406
LW-16806	CRANKCASE ASSY.	LW-16820-S	ALL	NOTE 201
LW-16811	TRANS. & WSTGTE ASSY.	LW-16858	ALL	S.B. 448
LW-16812	HYDRAULIC LIFTER	15B26090		S.I. 1529
LW-16813	TRANS. WG, ROD END ASSY.	LW-16859	ALL	S.B. 448
LW-16818-S	CRANKCASE ASSY.	LW-18431-S	ALL	NOTE 201, S.I. 1402, S.I. 1406
LW-16819-S	CRANKCASE ASSY.	LW-18652-S	ALL	NOTE 201, S.I. 1402, S.I. 1406
LW-16820-S	CRANKCASE ASSY.	LW-18432-S	ALL	NOTE 201, S.I. 1402, S.I. 1406
LW-16823-S	CRANKCASE ASSY.	LW-18282	ALL	NOTE 201, S.I. 1402, S.I. 1406
LW-16825	MANIFOLD ASSY.	N.L.A.	ALL	NOTE 205, S.I. 1410
LW-16826	MANIFOLD ASSY.	N.L.A.	ALL	NOTE 205, S.I. 1410
LW-16840	DENSITY CONTROLLER	LW-10682		NOTE 356
LW-16843	SUPPORT ASSY.	76628	ALL	
LW-16871	CARBURETOR	LW-18999	ALL	
LW-16877	FUEL INJECTOR ASSY.	N.L.A.		
LW-16890	OIL SUMP ASSY.	LW-16964	ALL	
LW-16892	HARNESS ASSY.	67P20408	ALL	
LW-16893	HARNESS ASSY.	67P20409	ALL	
LW-16894	MAG. & HARNESS ASSY.	66HC20SFNN, 67P20409	ALL	NOTE 205

**SECTION 1  
NUMERICAL PARTS HISTORY SUPERSEDURES**

ORIGINAL PART NO.	NOMENCLATURE	SUPERSEDING PART NO.	USE	REFERENCES
LW-16895	MAG. & HARNESS ASSY.	66HC20SFNN, 67P20408	ALL	NOTE 205
LW-16907	CARBURETOR	61A26385		
LW-16909	MANIFOLD ASSY.	N.L.A.		NOTE 205
LW-16922	MANIFOLD ASSY.	N.L.A.		NOTE 205, S.I. 1410
LW-16923	MANIFOLD ASSY.	N.L.A.		NOTE 205, S.I. 1410
LW-16928	FUEL PUMP	LW-16947	ALL	
LW-16964	SUMP ASSY.	LW-16975	ALL	
LW-16974	BAFFLE	56G21286	ALL	
LW-16999	ADAPTER	AN840-16D	ALL	
LW-17060	CRANKSHAFT ASSY.	13B17060	ALL	
LW-17061	CRANKSHAFT ASSY.	13B17061	ALL	
LW-17062	CRANKSHAFT ASSY.	13B17062	ALL	
LW-17063	CRANKSHAFT ASSY.	13B17063	ALL	
LW-17064	CRANKSHAFT ASSY.	13B17064	ALL	
LW-17065	CRANKSHAFT ASSY.	13B17065	ALL	
LW-17066	CRANKSHAFT ASSY.	13B17066	ALL	
LW-17067	CRANKSHAFT ASSY.	13B17067	ALL	
LW-17068	CRANKSHAFT ASSY.	13B17068	ALL	
LW-17069	CRANKSHAFT ASSY.	13B17069	ALL	
LW-17070	CRANKSHAFT ASSY.	13B17070	ALL	
LW-17071	CRANKSHAFT ASSY.	13B17071	ALL	
LW-17072	CRANKSHAFT ASSY.	13B17072	ALL	
LW-17073	CRANKSHAFT ASSY.	13B17073	ALL	
LW-17074	CRANKSHAFT ASSY.	13B17074	ALL	
LW-17075	CRANKSHAFT ASSY.	13B17075	ALL	
LW-171191	KIT, MAG. RETARD	N.L.A.		
LW-171192	KIT, MAG. RETARD	N.L.A.		
LW-17131	CRANKSHAFT ASSY.	13B17131	ALL	
LW-17132	CRANKSHAFT ASSY.	13B17132	ALL	
LW-17133	CRANKSHAFT ASSY.	13B17133	ALL	
LW-17134	CRANKSHAFT ASSY.	13B17134	ALL	
LW-17144	CRANKSHAFT ASSY.	13B17144	ALL	S.L. L202, S.B. 465
LW-17147	CRANKSHAFT ASSY.	13B17147	ALL	S.L. L202, S.B. 465
LW-17148	CRANKSHAFT ASSY.	13B17148	ALL	S.L. L202, S.B. 465
LW-17160	CRANKSHAFT ASSY.	13B17160	ALL	
LW-17161	CRANKSHAFT ASSY.	13B17161	ALL	
LW-17162	CRANKSHAFT ASSY.	13B17162	ALL	
LW-17163	CRANKSHAFT ASSY.	13B17163	ALL	
LW-17164	CRANKSHAFT ASSY.	13B17164	ALL	
LW-17165	CRANKSHAFT ASSY.	13B17165	ALL	
LW-17166	CRANKSHAFT ASSY.	13B17166	ALL	
LW-17167	CRANKSHAFT ASSY.	13B17167	ALL	

**SECTION 1  
NUMERICAL PARTS HISTORY SUPERSEDURES**

ORIGINAL PART NO.	NOMENCLATURE	SUPERSEDING PART NO.	USE	REFERENCES
LW-17168	CRANKSHAFT ASSY.	13B17168	ALL	
LW-17169	CRANKSHAFT ASSY.	13B17169	ALL	
LW-17170	CRANKSHAFT ASSY.	13B17170	ALL	
LW-17171	CRANKSHAFT ASSY.	13B17171	ALL	
LW-17172	CRANKSHAFT ASSY.	13B17172	ALL	
LW-17173	CRANKSHAFT ASSY.	13B17173	ALL	
LW-17174	CRANKSHAFT ASSY.	13B17174	ALL	
LW-17175	CRANKSHAFT ASSY.	13B17175	ALL	
LW-17176	CRANKSHAFT ASSY.	13B17176	ALL	S.L. L202, S.B. 465
LW-17177	CRANKSHAFT ASSY.	13B17177	ALL	S.L. L202, S.B. 465
LW-17178	CRANKSHAFT ASSY.	13B17178	ALL	S.L. L202, S.B. 465
LW-17179	CRANKSHAFT ASSY.	13B17179	ALL	S.L. L202, S.B. 465
LW-17180	CRANKSHAFT ASSY.	13B17180	ALL	
LW-17181	CRANKSHAFT ASSY.	13B17181	ALL	
LW-17182	CRANKSHAFT ASSY.	13B17182	ALL	S.L. L202, S.B. 465
LW-17183	CRANKSHAFT ASSY.	13B17183	ALL	S.L. L202, S.B. 465
LW-17184	CRANKSHAFT ASSY.	13B17184	ALL	S.L. L202, S.B. 465
LW-17223	CRANKSHAFT ASSY.	13B17223	ALL	
LW-17246	CRANKSHAFT ASSY.	13B17246	ALL	
LW-17247	CRANKSHAFT ASSY.	13B17247	ALL	
LW-17248	CRANKSHAFT ASSY.	13B17248	ALL	
LW-17249	CRANKSHAFT ASSY.	13B17249	ALL	
LW-17250	CRANKSHAFT ASSY.	13B17250	ALL	
LW-17251	CRANKSHAFT ASSY.	13B17251	ALL	
LW-17252	CRANKSHAFT ASSY.	13B17252	ALL	
LW-17253	CRANKSHAFT ASSY.	13B17253	ALL	
LW-17254	CRANKSHAFT ASSY.	13B17254	ALL	
LW-17255	CRANKSHAFT ASSY.	13B17255	ALL	
LW-17256	CRANKSHAFT ASSY.	13B17256	ALL	
LW-17257	CRANKSHAFT ASSY.	13B17257	ALL	
LW-17258	CRANKSHAFT ASSY.	13B17258	ALL	S.L. L202, S.B. 465
LW-17259	CRANKSHAFT ASSY.	13B17259	ALL	S.L. L202, S.B. 465
LW-17260	CRANKSHAFT ASSY.	13B27228	ALL	S.L. L202, S.B. 465
LW-17261	CRANKSHAFT ASSY.	13B27222	ALL	S.L. L202, S.B. 465
LW-17262	CRANKSHAFT ASSY.	13B27223	ALL	S.L. L202, S.B. 465
LW-17263	CRANKSHAFT ASSY.	13B27230	ALL	S.L. L202, S.B. 465
LW-17264	CRANKSHAFT ASSY.	13B17264	ALL	
LW-17273	CRANKSHAFT ASSY.	13B17273	ALL	
LW-17274	CRANKSHAFT ASSY.	13B17274	ALL	
LW-17275	CRANKSHAFT ASSY.	13B17275	ALL	
LW-17276	CRANKSHAFT ASSY.	13B17276	ALL	
LW-17277	CRANKSHAFT ASSY.	13B17277	ALL	

**SECTION 1  
NUMERICAL PARTS HISTORY SUPERSEDURES**

ORIGINAL PART NO.	NOMENCLATURE	SUPERSEDING PART NO.	USE	REFERENCES
LW-17278	CRANKSHAFT ASSY.	13B17278	ALL	
LW-17279	CRANKSHAFT ASSY.	13B17279	ALL	
LW-17280	CRANKSHAFT ASSY.	13B17280	ALL	
LW-17281	CRANKSHAFT ASSY.	13B17281, LW-17286		NOTE 357
LW-17282	CRANKSHAFT ASSY.	13B17282	ALL	
LW-17283	CRANKSHAFT ASSY.	13B17283	ALL	
LW-17284	CRANKSHAFT ASSY.	13B17284	ALL	
LW-17285	CRANKSHAFT ASSY.	13B17285	ALL	
LW-17286	CRANKSHAFT ASSY.	13B17286	ALL	
LW-17287	CRANKSHAFT ASSY.	13B17287	ALL	
LW-17288	CRANKSHAFT ASSY.	13B17288	ALL	
LW-17289	CRANKSHAFT ASSY.	13B17289	ALL	S.L. L202, S.B. 465
LW-17290	CRANKSHAFT ASSY.	13B17290	ALL	S.L. L202, S.B. 465
LW-17291	CRANKSHAFT ASSY.	13B17291	ALL	
LW-17326	CRANKSHAFT ASSY.	13C17326	ALL	
LW-17327	CRANKSHAFT ASSY.	13C17327	ALL	
LW-17338	CRANKSHAFT ASSY.	13C17338	ALL	
LW-17363	CRANKSHAFT ASSY.	LW-17357	ALL	
LW-17376	CRANKSHAFT ASSY.	N.L.A.		
LW-17387	CRANKSHAFT ASSY.	N.L.A.		
LW-17407	CRANKSHAFT ASSY.	N.L.A.		
LW-17408	CRANKSHAFT ASSY.	N.L.A.		
LW-17468	CRANKSHAFT ASSY.	N.L.A.		
LW-17469	CRANKSHAFT ASSY.	N.L.A.		
LW-17470	CRANKSHAFT ASSY.	N.L.A.		
LW-17472	CRANKSHAFT ASSY.	N.L.A.		
LW-17474	CRANKSHAFT ASSY.	N.L.A.		
LW-17510	CRANKSHAFT ASSY.	N.L.A.		
LW-17531	CRANKSHAFT ASSY.	N.L.A.		
LW-17532	CRANKSHAFT ASSY.	N.L.A.		
LW-17533	CRANKSHAFT ASSY.	N.L.A.		
LW-17534	CRANKSHAFT ASSY.	N.L.A.		
LW-17566	CRANKSHAFT ASSY.	N.L.A.		
LW-17568	CRANKSHAFT ASSY.	N.L.A.		
LW-17648	CRANKSHAFT ASSY.	13E17648	ALL	
LW-17649	CRANKSHAFT ASSY.	13E17649	ALL	
LW-17650	CRANKSHAFT ASSY.	13E17650	ALL	
LW-17651	CRANKSHAFT ASSY.	13E17651	ALL	
LW-17652	CRANKSHAFT ASSY.	13E17652	ALL	
LW-17653	CRANKSHAFT ASSY.	13E17653	ALL	
LW-17654	CRANKSHAFT ASSY.	13E17654	ALL	
LW-17655	CRANKSHAFT ASSY.	13E17655	ALL	



**SECTION 1  
NUMERICAL PARTS HISTORY SUPERSEDURES**

<b>ORIGINAL PART NO.</b>	<b>NOMENCLATURE</b>	<b>SUPERSEDING PART NO.</b>	<b>USE</b>	<b>REFERENCES</b>
LW-17656	CRANKSHAFT ASSY.	13E17656	ALL	
LW-17674	CRANKSHAFT ASSY.	13E17674	ALL	
LW-17675	CRANKSHAFT ASSY.	13E17675	ALL	
LW-17676	CRANKSHAFT ASSY.	13E17676	ALL	
LW-17677	CRANKSHAFT ASSY.	13E17677	ALL	
LW-17678	CRANKSHAFT ASSY.	13E17678	ALL	
LW-17679	CRANKSHAFT ASSY.	13E17679	ALL	
LW-17680	CRANKSHAFT ASSY.	13E17680	ALL	
LW-17681	CRANKSHAFT ASSY.	13E17681	ALL	
LW-17682	CRANKSHAFT ASSY.	13E17682	ALL	
LW-17683	CRANKSHAFT ASSY.	13E17683	ALL	
LW-17684	CRANKSHAFT ASSY.	13E17684	ALL	
LW-17685	CRANKSHAFT ASSY.	13E17685	ALL	
LW-17686	CRANKSHAFT ASSY.	13E17686	ALL	
LW-17687	CRANKSHAFT ASSY.	13E17687	ALL	
LW-17750	CRANKSHAFT ASSY.	13F17750	ALL	
LW-17751	CRANKSHAFT ASSY.	13F17751	ALL	
LW-17752	CRANKSHAFT ASSY.	13F17752	ALL	
LW-17753	CRANKSHAFT ASSY.	13F17753	ALL	
LW-17754	CRANKSHAFT ASSY.	13F17754	ALL	
LW-17755	CRANKSHAFT ASSY.	13F17755	ALL	
LW-17756	CRANKSHAFT ASSY.	13F17756	ALL	
LW-17757	CRANKSHAFT ASSY.	13F17757	ALL	
LW-17758	CRANKSHAFT ASSY.	13F17758	ALL	
LW-17759	CRANKSHAFT ASSY.	13F17759	ALL	
LW-17760	CRANKSHAFT ASSY.	13F17760	ALL	
LW-17761	CRANKSHAFT ASSY.	13F17761	ALL	
LW-17762	CRANKSHAFT ASSY.	13F17762	ALL	
LW-17763	CRANKSHAFT ASSY.	13F17763	ALL	
LW-17764	CRANKSHAFT ASSY.	13F17764	ALL	
LW-17765	CRANKSHAFT ASSY.	13F17765	ALL	
LW-17766	CRANKSHAFT ASSY.	13F17766	ALL	
LW-17775	CRANKSHAFT ASSY.	05K27775	ALL	
LW-17776	CRANKSHAFT ASSY.	13F17776	ALL	
LW-17777	CRANKSHAFT ASSY.	13F17777	ALL	
LW-17778	CRANKSHAFT ASSY.	13F17778	ALL	
LW-17779	CRANKSHAFT ASSY.	13F17779	ALL	
LW-17780	CRANKSHAFT ASSY.	13F17780	ALL	
LW-17781	CRANKSHAFT ASSY.	13F17781	ALL	
LW-17782	CRANKSHAFT ASSY.	13F17782	ALL	
LW-17783	CRANKSHAFT ASSY.	13F17783	ALL	
LW-17784	CRANKSHAFT ASSY.	13F17784	ALL	

**SECTION 1  
NUMERICAL PARTS HISTORY SUPERSEDURES**

ORIGINAL PART NO.	NOMENCLATURE	SUPERSEDING PART NO.	USE	REFERENCES
LW-17785	CRANKSHAFT ASSY.	13F17785	ALL	
LW-17786	CRANKSHAFT ASSY.	13F17786	ALL	
LW-17787	CRANKSHAFT ASSY.	13F17787	ALL	
LW-17788	CRANKSHAFT ASSY.	13F17788	ALL	
LW-17789	CRANKSHAFT ASSY.	13F17789	ALL	
LW-17790	CRANKSHAFT ASSY.	13F17790	ALL	
LW-17791	CRANKSHAFT ASSY.	13F17791	ALL	
LW-17817	CRANKSHAFT ASSY.	13H17817	ALL	
LW-17828	CRANKSHAFT ASSY.	13H17828	ALL	
LW-17829	CRANKSHAFT ASSY.	13H17829	ALL	
LW-17839	CRANKSHAFT ASSY.	13H17839	ALL	
LW-17840	CRANKSHAFT ASSY.	13H17840	ALL	
LW-18017	BEARING	18A23141		NOTE 3, NOTE 200, S.I. 1512
LW-18020	ROD, TURBO	LW-16965	ALL	
LW-18023-S	CRANKCASE ASSY.	11B20051-4DL-S	ALL	S.I. 1432
LW-18024	FUEL INJECTOR	LW-18353	ALL	
LW-18025	ELBOW	LW-18231	ALL	
LW-18026	TUBE ASSY.	LW-18306	ALL	
LW-18049	TUBE ASSY.	LW-18307	ALL	
LW-18050	MANIFOLD ASSY.	N.L.A.		
LW-18058	HOUSING ASSY.	56A21692-05	ALL	
LW-18060	HOUSING ASSY.	21C21545-01	ALL	
LW-18064	PLUG	N.L.A.		
LW-18066	FUEL INJECTOR	N.L.A.		
LW-18081	BAFFLE	56G21286	ALL	
LW-18082	SUMP & BAFFLE ASSY.	LW-16975	ALL	
LW-18088-6S072	HOSE ASSY.	N.L.A.		
LW-18093-S	CRANKCASE ASSY.	11F20020-D1-S	ALL	
LW-18096-S	CRANKCASE ASSY.	LW-18282	ALL	NOTE 201
LW-18097-S	CRANKCASE ASSY.	LW-18283-S	ALL	NOTE 201
LW-18102	VALVE	LW-16740	ALL	S.I.1037M
LW-18127	ELBOW	56F19765	ALL	
LW-18128	NUT	N.L.A.		
LW-18166-P04	BUSHING	N.L.A.		
LW-18182	NOZZLE ASSY.	LW-18855	ALL	
LW-18194	GEAR, RETAINER ASSY.	LW-19098	ALL	NOTE 201
LW-18195	HOUSING ASSY.	21A21533-16	ALL	
LW-18208-S	CRANKCASE ASSY.	11F20020-S2-S	ALL	
LW-18219	HOUSING ASSY.	21A21533-17	ALL	
LW-18221	ADAPTER ASSY.	LW-19271	ALL	NOTE 201

**SECTION 1  
NUMERICAL PARTS HISTORY SUPERSEDURES**

ORIGINAL PART NO.	NOMENCLATURE	SUPERSEDING PART NO.	USE	REFERENCES
LW-18222	DRIVE ASSY.	LW-19272	ALL	NOTE 201
LW-18233	COVER	N.L.A.		
LW-18251	INTERCOOLER	LW-18821	ALL	
LW-18265	NOZZLE-INJECTION	63C26450		
LW-18266	NOZZLE ASSY.	LW-18853	ALL	
LW-18267	NOZZLE ASSY.	LW-18854	ALL	
LW-18274	CAMSHAFT, GEAR ASSY.	N.L.A.		
LW-18275	CAM & TACH SHAFT ASSY.	N.L.A.		
LW-18276	CAM & TACH SHAFT ASSY.	N.L.A.		
LW-18282-S	CRANKCASE ASSY.	LW-18464-S	ALL	NOTE 201
LW-18283-S	CRANKCASE ASSY.	LW-18465-S	ALL	NOTE 201
LW-18290	CYLINDER ASSY.	16A23035	ALL	S.I. 1504 S.I. 1037
LW-18296	BUSHING	01K21697	ALL	
LW-18297	IMPELLER	05K19422-S	ALL	
LW-18299	IMPELLER ASSY.	05K19422-S	ALL	
LW-18309	HOUSING ASSY.	21C21654-01	ALL	
LW-18326	PIPE	N.L.A.		
LW-18327	PIPE	N.L.A.		
LW-18337	CRANKCASE ASSY.	11F20020-S1-S	ALL	
LW-18339	CRANKCASE ASSY.	11F20020-D1-S	ALL	
LW-18342	CRANKCASE ASSY.	11F20020-S1-S	ALL	
LW-18343	CRANKCASE ASSY.	11F20022-D4-S	ALL	
LW-18346	CRANKCASE ASSY.	11F20020-S1-S	ALL	
LW-18347	HOUSING ASSY.	21A21533-18	ALL	
LW-18349	CRANKCASE ASSY.	11E20000-SI-S	ALL	
LW-18354	CRANKCASE ASSY.	11E20000-SI-S	ALL	
LW-18363	CRANKCASE ASSY.	11E20000-SI-S	ALL	
LW-18366	TUBE ASSY.	LW-18385	ALL	
LW-18369	CRANKCASE ASSY.	11B20051-3SL-S	ALL	
LW-18372	CRANKCASE ASSY.	11B20051-1SL	ALL	
LW-18375	CRANKCASE ASSY.	11B20051-2SL-S	ALL	
LW-18378	CLAMP, MAGNETO	66M19385	ALL	S.I. 1508
LW-18379	CRANKCASE ASSY.	11B20051-1SB-S	ALL	
LW-18382	CRANKCASE ASSY.	11B20051-2SL	ALL	
LW-18386	CRANKCASE ASSY.	LW-18399-S	ALL	NOTE 201
LW-18392	CRANKCASE ASSY.	11B20051-3SB	ALL	
LW-18395	CRANKCASE ASSY.	11B20051-1SL	ALL	
LW-18398	CRANKCASE ASSY.	11B20051-1SH-S	ALL	
LW-18404	CRANKCASE ASSY.	11B20051-1DL-S	ALL	
LW-18407	CRANKCASE ASSY.	11B20051-1DL-S	ALL	

**SECTION 1  
NUMERICAL PARTS HISTORY SUPERSEDURES**

ORIGINAL PART NO.	NOMENCLATURE	SUPERSEDING PART NO.	USE	REFERENCES
LW-18410	CRANKCASE ASSY.	N.L.A.		
LW-18413	CRANKCASE ASSY.	11B20051-1DH	ALL	
LW-18414	CRANKCASE ASSY.	LW-18399-S	ALL	NOTE 201
LW-18431-S	CRANKCASE ASSY.	LW-18464-S	ALL	NOTE 201
LW-18432-S	CRANKCASE ASSY.	LW-18465-S	ALL	NOTE 201
LW-18441	PIPE	N.L.A.		
LW-18442	PIPE	LW-18952	ALL	
LW-18443	PIPE	LW-18951	ALL	
LW-18446	PIPE	N.L.A.		
LW-18447	MANIFOLD ASSY.	LW-18957	ALL	NOTE 205
LW-18448	MANIFOLD ASSY.	LW-18958	ALL	NOTE 205
LW-18451	SUPPORT ASSY.	LW-19055	ALL	NOTE 201
LW-18455	HOUSING ASSY.	21C21653-01	ALL	
LW-18456	BRACKET ASSY.	LW-19104	ALL	NOTE 358
LW-18457	BRACKET	N.L.A.		
LW-18461	FUEL PUMP ASSY.	62E22769	ALL	
LW-18468	BRACKET	LW-19325	ALL	
LW-18469	BRACKET	LW-19326	ALL	
LW-18480	ROD	LW-19105	ALL	S.I. 1431
LW-18497	VALVE-EXHAUST	17B23944	ALL	S.I. 1037M
LW-18498	VALVE-EXHAUST	17B23941	ALL	S.I. 1037M
LW-18503	ADAPTER	LW-19074	ALL	NOTE 201
LW-18505	DRIVE ASSY.	LW-19077	ALL	NOTE 201
LW-18507	ADAPTER ASSY.	LW-19076	ALL	NOTE 201
LW-18515	PIPE	LW-18868	ALL	NOTE 201
LW-18536	FUEL PUMP ASSY.	62E22765		
LW-18539	TANK	N.L.A.		
LW-18543	CRANKCASE ASSY.	11F20021-D2-S, 11F20021-D4-S		NOTE 359
LW-18544	CRANKCASE ASSY.	LW-18652-S	ALL	
LW-18545	HOSE	LW-18724 + (2) LW-16266-25-38	ALL	
LW-18556	TUBE ASSY.	17T19439	ALL	NOTE 360
LW-18582-S	CRANKCASE ASSY.	11B20051-1SL-S	ALL	
LW-18589	FUEL PUMP ASSY.	62E22772	ALL	
LW-18590	TANK ASSY.	LW-18950	ALL	
LW-18606	TURBO. STRUT	07F23146	ALL	S.I. 1415
LW-18607	TURBO. STRUT ASSY.	07F23147	ALL	S.I. 1415
LW-18624	BRACKET ASSY.	N.L.A.		
LW-18654	VALVE, EXH. BY PASS	LW-18861		NOTE 361
LW-18662	CARBURETOR	N.L.A.		
LW-18663	CARBURETOR	61E26397		S.I.1523

**SECTION 1  
NUMERICAL PARTS HISTORY SUPERSEDURES**

ORIGINAL PART NO.	NOMENCLATURE	SUPERSEDING PART NO.	USE	REFERENCES
LW-18664	BRACKET	LW-19198	ALL	
LW-18666	CAMSHAFT, GEAR ASSY.	N.L.A.		
LW-18669	HOUSING ASSY.	21C21653-02	ALL	
LW-18670	HOUSING ASSY.	21C21542-02	ALL	
LW-18671	BAFFLE	N.L.A.		
LW-18694	SUPPORT ASSY.	LW-18695	ALL	
LW-18696	TEE	02G21055, LW-18966		NOTE 362
LW-18697	CRANKSHAFT ASSY.	13B21432		
LW-18723	CRANKCASE ASSY.	11F20022-S3-S	ALL	S.B. 392
LW-18725	PISTON	14B23917		COMPATIBLE SI 1526
LW-18729	PISTON	14B23918		COMPATIBLE SI 1526
LW-18735	CRANKCASE ASSY.	11A26477		NOTE 530
LW-18738	ELBOW	N.L.A.		
LW-18739	ROCKER ASSY.	LW-18946	ALL	NOTE 200
LW-18742	MANIFOLD ASSY.	N.L.A.		
LW-18750	WIRE ASSY.	LW-19196	ALL	
LW-18753	GUIDE	16P21174-S	ALL	S.B. 490
LW-18753-S	GUIDE	76077, 16R21709		SI 1256E NOTE 519
LW-18754	GUIDE	LW-18833	ALL	
LW-18755	GUIDE	LW-18852	ALL	
LW-18757	HOUSING ASSY.	21C21544-01	ALL	
LW-18761	FUEL PUMP ASSY.	62E22762	ALL	
LW-18768	SUPPORT ASSY.	LW-19163	ALL	
LW-18782-1	CRANKCASE ASSY.	11F20021-S2	ALL	
LW-18783	INTERCOOLER	LW-18822	ALL	NOTE 201
LW-18784-1	CRANKCASE ASSY.	LW-18770-S	ALL	S.I. 1432
LW-18787	BELT	37B19774-472	ALL	
LW-18790	ROCKER ASSY.	17F19353	ALL	
LW-18797-S	CRANKCASE ASSY.	LW-18799-S	ALL	S.I. 1432
LW-18799-S	CRANKCASE ASSY.	11F20020-S3-S	ALL	
LW-18801-S	CRANKCASE ASSY.	LW-19002-S	ALL	S.B. 392
LW-18809	PULLEY & SHAFT ASSY.	LW-19264	ALL	NOTE 363
LW-18822	INTERCOOLER	LW-19087	ALL	NOTE 201
LW-18824	BRACKET	N.L.A.		
LW-18825	SUPPORT	N.L.A.		
LW-18827	SUPPORT	N.L.A.		
LW-18833	GUIDE	16R21175-S	ALL	S.B. 490
LW-18833-S	GUIDE	16R21710		SI 1256E NOTE 511
LW-18837	CAMSHAFT ASSY.	LW-18840	ALL	
LW-18838	CAMSHAFT ASSY.	LW-18843	ALL	
LW-18839	CAMSHAFT ASSY.	LW-18840	ALL	

**SECTION 1  
NUMERICAL PARTS HISTORY SUPERSEDURES**

ORIGINAL PART NO.	NOMENCLATURE	SUPERSEDING PART NO.	USE	REFERENCES
LW-18841	CAMSHAFT ASSY.	LW-18843	ALL	
LW-18842	CAMSHAFT ASSY.	15M19407	ALL	
LW-18844	CAMSHAFT ASSY.	LW-18848	ALL	
LW-18846	CAMSHAFT ASSY.	15M19407	ALL	
LW-18852	CYLINDER ASSY.	LW-19281	ALL	
LW-18856-P05	VALVE GUIDE	N.L.A.	ALL	
LW-18856-P10	VALVE GUIDE	N.L.A.	ALL	
LW-18868	DUCT	N.L.A.	ALL	
LW-18871	ALTERNATOR	N.L.A.		
LW-18885	ALTERNATOR	N.L.A.		S.I. 1154
LW-18921-S-P10	BUSHING	N.L.A.	ALL	
LW-18922-S-P10	BUSHING	N.L.A.	ALL	
LW-18927-S	CRANKCASE ASSY.	11E20001-S1-S	ALL	
LW-18930-S	CRANKCASE ASSY.	11E20051-3SL-S	ALL	
LW-18946	ROCKER - MACHINING - ASSY	17F23345	ALL	
LW-18955	ADAPTER	N.L.A.	ALL	
LW-18957	MANIFOLD ASSY.	N.L.A.		NOTE 205
LW-18958	MANIFOLD ASSY.	N.L.A.		NOTE 205
LW-18959-175-44	CLAMP	N.L.A.	ALL	
LW-18971-S	CRANKCASE ASSY.	11E20002-D1-S	ALL	
LW-18978	BELT	37A19773-382	ALL	
LW-18984	FUEL PUMP	62E22773	ALL	
LW-18985	FUEL PUMP	62E22766	ALL	
LW-18987	CARBURETOR	61E26398		S.I. 1523
LW-18991	PIPE	40B21006	ALL	
LW-18992	PIPE	40B19620	ALL	
LW-19001	VALVE, EXH. BY PASS	17B23936	ALL	S.I. 1037M
LW-19002	CRANKCASE ASSY.	11F20022-D5-S	ALL	
LW-19012	FUEL PUMP	62E22585		
LW-19015	FUEL INJECTOR	N.L.A.		
LW-19023	FUEL INJECTOR	N.L.A.		
LW-19026	ADAPTER	N.L.A.		
LW-19034	VALVE, EXH. BY PASS	17B23940	ALL	S.I. 1037M
LW-19038	CYLINDER ASSY.	N.L.A.		
LW-19039	MANIFOLD ASSY.	N.L.A.		
LW-19054	KIT- THIN WALL BEARING	N.L.A.		
LW-19055	SUPPORT ASSY.	07E23155	ALL	
LW-19064	DRIVE ASSY.	N.L.A.		
LW-19080	ADAPTER ASSY.	29D21310	ALL	NOTE 201
LW-19082	ADAPTER ASSY.	29A21358	ALL	NOTE 201

**SECTION 1  
NUMERICAL PARTS HISTORY SUPERSEDURES**

ORIGINAL PART NO.	NOMENCLATURE	SUPERSEDING PART NO.	USE	REFERENCES
LW-19083	DRIVE ASSY.	29A21372	ALL	NOTE 201
LW-19084	TRANSITION EXHAUST	47C23164		
LW-19091	HOUSING ASSY.	21A23000-11	ALL	
LW-19094	HEAT SHIELD	40J21317	ALL	
LW-19098	GEAR RETAINER ASSY.	LW-19096	ALL	
LW-19104	BRACKET	LW-19274	ALL	NOTE 201
LW-19117	TANK	LW-19348	ALL	NOTE 201
LW-19118	BRACKET	LW-19346	ALL	NOTE 201
LW-19120-S	CRANKCASE ASSY.	N.L.A.		
LW-19126-S	CRANKCASE ASSY.	LW-14675-1	ALL	
LW-19130	CAMSHAFT ASSY.	LW-16511	ALL	
LW-19131	CAM,GEAR,TACH ASSY.	LW-16512	ALL	
LW-19154	ADAPTER	05K21437	ALL	
LW-19155	HOUSING ASSY.	21C21542-03	ALL	
LW-19156	HOUSING ASSY.	21C21653-03	ALL	
LW-19158	MANIFOLD ASSY.	N.L.A.	ALL	
LW-19159	BRACKET, TURBO MOUNTING	N.L.A.	ALL	
LW-19162	HOUSING ASSY., AIR INLET	N.L.A.	ALL	
LW-19171	HEAT SHIELD	40J19618	ALL	NOTE 113
LW-19172	HEAT SHIELD	40J19619	ALL	NOTE 113
LW-19173-S	KIT CAMSHAFT	LW-19341	ALL	
LW-19176-S	PISTON	LW-10545-S, 14D21953-S	ALL	NOTE 364, S.I. 1471
LW-19177	CONTROLLER	LW-10098	ALL	
LW-19178	ADAPTER, NPT TO HOSE	N.L.A.	ALL	
LW-19190	BRACKET	LW-19191	ALL	
LW-19197	WIRE ASSY.	LW-19196	ALL	
LW-19198	BRACKET	07A19479	ALL	
LW-19225	COUNTERWEIGHT ASSY.	LW-19226, 14U22538		NOTE 200, NOTE 365
LW-19226	COUNTERWEIGHT ASSY.	14U22539	ALL	
LW-19230	INSTALL MAG, THERMO	05U21130	ALL	
LW-19232	INSTALL MAG, THERMO	05U21129	ALL	
LW-19234	INSTALL MAG, THERMO	05U21128	ALL	
LW-19272	DRIVE ASSY.	N.L.A.		
LW-19274	BRACKET, SONIC NOZZLE	N.L.A.	ALL	
LW-19281	CYLINDER ASSY.	16A19516	ALL	SFN -880-2

**SECTION 1  
NUMERICAL PARTS HISTORY SUPERSEDURES**

ORIGINAL PART NO.	NOMENCLATURE	SUPERSEDING PART NO.	USE	REFERENCES
LW-19296	GASKET-EXHAUST FLANGE	77611	ALL	ALTERNATES S.I.1204
LW-19325	BRACKET	07G19797	ALL	
LW-19326	BRACKET	07G19798	ALL	
LW-19348	TANK	58B19497	ALL	
LW-209310-1	MAGNETO	N.L.A.		
LW-209350-1	MAGNETO	N.L.A.		
LW-209350-2	MAGNETO	N.L.A.		
LW-25-0.75	BOLT	LW-25-0.81	ALL	
LW-25-1.64	BOLT	LW-25-1.63	ALL	
LW-25-1.88	BOLT	LW-25-2.00	ALL	NOTE 510
LW-25-4.13	BOLT	N.L.A.	ALL	
LW-25H1.88	BOLT	N.L.A.	ALL	
LW-25H2.00	BOLT	N.L.A.	ALL	
LW-25H3.00	BOLT	N.L.A.	ALL	
LW-25S1.00	BOLT	STD 1976	ALL	
LW-25SS0.94	BOLT	MS9490-13,	ALL	NOTE 201
LW-31-1.09	BOLT .3125 X 18	LW-31-1.16	ALL	
LW-31S4.17	BOLT	LW-31S4.44	ALL	
LW-31S4.38	BOLT	STD-2100	ALL	
LW-31S5.06	BOLT	LW-31S5.44		
LW-320046-10	IGN. HARNESS	N.L.A.		
LW-320232	CLIP	LW-620036-4	ALL	
LW-320297-2	CLIP	LW-620026-2	ALL	
LW-320297-3	CLIP	LW-14057	ALL	
LW-320298-1	CLIP	LW-620028-1	ALL	
LW-320298-2	CLIP	LW-620028-2	ALL	
LW-320298-3	CLIP	LW-14060	ALL	
LW-320299-5	CLIP	62255	ALL	
LW-320299-6	CLIP	LW-620029-6	ALL	
LW-320300-1	CLIP	LW-620032-1	ALL	
LW-320300-4	CLIP	73971	ALL	
LW-320300-7	CLIP	73050	ALL	
LW-320432-1	CLIP	LW-620036-1	ALL	
LW-320472-3	CLIP	LW-620037-3	ALL	
LW-320472-4	CLIP	LW-620037-4	ALL	
LW-320476-1	CLIP	LW-620034-1	ALL	
LW-349235-3	MAGNETO	LW-349285-7	ALL	NOTE 201, S.I. 1346
LW-349235-3D	MAGNETO	LW-349235-3	ALL	
LW-349235-4	MAGNETO	LW-349285-7	ALL	NOTE 201, S.I. 1346
LW-349235-4D	MAGNETO	LW-349235-4	ALL	NOTE 201, S.I. 1346
LW-349235-5	MAGNETO	LW-349285-7	ALL	
LW-349235-6	MAGNETO	LW-349285-7	ALL	NOTE 201, S.I. 1346



**SECTION 1  
NUMERICAL PARTS HISTORY SUPERSEDURES**

ORIGINAL PART NO.	NOMENCLATURE	SUPERSEDING PART NO.	USE	REFERENCES
LW-349285-1	MAGNETO	LW-349285-7	ALL	S.I. 1325
LW-349285-1D	MAGNETO	LW-349285-1	ALL	
LW-349285-5	MAGNETO	LW-349235-3, LW-349235-4	ALL	S.B. 365,
LW-349285-6D	MAGNETO	LW-349285-6	ALL	
LW-349285-7D	MAGNETO	LW-349285-7	ALL	
LW-349285-8D	MAGNETO	LW-349285-8	ALL	
LW-349290-10D	MAGNETO	LW-349290-10	ALL	
LW-349290-11	MAGNETO	N.L.A.		
LW-349290-11D	MAGNETO	LW-349290-11	ALL	
LW-349290-12	MAGNETO	LW-349290-2D	ALL	
LW-349290-13	MAGNETO	LW-349290-1D	ALL	
LW-349290-1D	MAGNETO	LW-349290-1	ALL	
LW-349290-2D	MAGNETO	LW-349290-2	ALL	
LW-349290-3D	MAGNETO	LW-349290-3	ALL	
LW-349290-4D	MAGNETO	LW-349290-4	ALL	
LW-349290-9D	MAGNETO	LW-349290-9	ALL	
LW-349300-3	MAGNETO	N.L.A.		
LW-349300-3D	MAGNETO	N.L.A.		
LW-349300-4D	MAGNETO	LW-349300-4	ALL	
LW-349300-6	MAGNETO	LW-349300-4D	ALL	
LW-349305-1D	MAGNETO	LW-349305-1	ALL	
LW-349305-3	MAGNETO	N.L.A.	ALL	
LW-349305-3D	MAGNETO	LW-349305-3	ALL	
LW-349305-5	MAGNETO	N.L.A.		
LW-349305-5D	MAGNETO	LW-349305-5	ALL	
LW-349305-6D	MAGNETO	LW-349305-6	ALL	
LW-349310-10	MAGNETO	N.L.A.		
LW-349310-10D	MAGNETO	LW-349310-10	ALL	
LW-349310-11D	MAGNETO	LW-349310-11	ALL	
LW-349310-12	MAGNETO	LW-349310-4D	ALL	
LW-349310-13	MAGNETO	LW-349310-1D	ALL	
LW-349310-1D	MAGNETO	LW-349310-1	ALL	
LW-349310-2D	MAGNETO	LW-349310-2	ALL	
LW-349310-4D	MAGNETO	LW-349310-4	ALL	
LW-349310-8D	MAGNETO	LW-349310-8	ALL	
LW-349320-4D	MAGNETO	LW-349320-4	ALL	
LW-349320-5D	MAGNETO	LW-349320-5	ALL	
LW-349320-6	MAGNETO	LW-349320-4D	ALL	
LW-349365-10	MAGNETO	N.L.A.		S.I. 1325
LW-349365-10D	MAGNETO	LW-349365-10	ALL	
LW-349365-3	MAGNETO	LW-349365-9		S.B. 380, S.B. 516, S.I. 1325
LW-349365-3D	MAGNETO	LW-349365-3	ALL	

**SECTION 1  
NUMERICAL PARTS HISTORY SUPERSEDURES**

ORIGINAL PART NO.	NOMENCLATURE	SUPERSEDING PART NO.	USE	REFERENCES
LW-349365-6	MAGNETO	LW-349365-10		S.B. 373
LW-349365-6D	MAGNETO	LW-349365-6	ALL	
LW-349365-9	MAGNETO	N.L.A.		S.B. 380, S.B. 516, S.I. 1443, S.I. 1325
LW-349365-9D	MAGNETO	LW-349365-9	ALL	S.I. 1325
LW-349370-1	MAGNETO	N.L.A.		
LW-349370-11D	MAGNETO	LW-349370-11	ALL	
LW-349370-1D	MAGNETO	LW-349370-1	ALL	
LW-349370-2D	MAGNETO	LW-349370-2	ALL	
LW-349370-4D	MAGNETO	LW-349370-4	ALL	
LW-349490-1D	MAGNETO	LW-349490-1	ALL	
LW-349490-2D	MAGNETO	LW-349490-2	ALL	
LW-349490-3D	MAGNETO	LW--349490-3	ALL	
LW-349500-1D	MAGNETO	LW-349500-1	ALL	
LW-349510-1D	MAGNETO	LW-349510-1	ALL	
LW-349510-2D	MAGNETO	LW-349510-2	ALL	
LW-349510-3D	MAGNETO	LW-349510-3	ALL	
LW-349520-1D	MAGNETO	LW-349520-1	ALL	
LW-349610-1D	IGNITION SYSTEM	LW-349610-1	ALL	
LW-349610-2D	IGNITION SYSTEM	LAW-349610-2	ALL	
LW-349610-3D	IGNITION SYSTEM	LW-349610-3	ALL	
LW-349620-1D	IGNITION SYSTEM	LW-349620-1	ALL	
LW-357265	IMPULSE COUPLING	N.L.A.		
LW-38-0.75	BOLT	LW-38-1.00		NOTE 493
LW-38-2.50	BOLT	LW-38-2.75	ALL	
LW-382555-10	MAGNETO	LW-682555-10	ALL	
LW-382555-11	MAGNETO	LW-682555-11	ALL	
LW-382555-13	MAGNETO	LW-682555-13	ALL	
LW-382555-14	MAGNETO	LW-682555-14	ALL	
LW-382555-141	MAGNETO	LW-682555-141	ALL	
LW-382555-15	MAGNETO	LW-682555-15	ALL	
LW-382555-151	MAGNETO	LW-682555-151	ALL	
LW-382555-16	MAGNETO	LW-682555-16	ALL	
LW-382555-50	MAGNETO	N.L.A.		
LW-382555-51	MAGNETO	LW-382555-11	ALL	
LW-382555-53	MAGNETO	LW-382555-13	ALL	
LW-382555-54	MAGNETO	LW-382555-14	ALL	
LW-382555-55	MAGNETO	LW-382555-15	ALL	
LW-382555-56	MAGNETO	LW-382555-16	ALL	
LW-382560-11	MAGNETO	LW-682560-11	ALL	
LW-382560-111	MAGNETO	LW-682560-111	ALL	
LW-382560-13	MAGNETO	LW-682560-13	ALL	

**SECTION 1  
NUMERICAL PARTS HISTORY SUPERSEDURES**

ORIGINAL PART NO.	NOMENCLATURE	SUPERSEDING PART NO.	USE	REFERENCES
LW-382560-51	MAGNETO	LW-382560-11	ALL	
LW-382560-53	MAGNETO	LW-382560-13	ALL	
LW-382605-13	MAGNETO	LW-682605-13	ALL	
LW-382605-17	MAGNETO	LW-682605-13	ALL	
LW-382605-18	MAGNETO	LW-682605-18	ALL	
LW-382610-11	MAGNETO	LW-682610-11	ALL	
LW-382610-13	MAGNETO	LW-682610-13	ALL	
LW-382610-131	MAGNETO	LW-682610-131	ALL	
LW-382610-14	MAGNETO	LW-382910-18	ALL	
LW-382610-15	MAGNETO	LW-326610-53	ALL	
LW-382610-51	MAGNETO	LW-682610-11	ALL	
LW-382610-53	MAGNETO	LW-682610-13	ALL	
LW-382610-531	MAGNETO	LW-382610-131	ALL	
LW-382620-11	MAGNETO	LW-682620-11	ALL	
LW-382620-51	MAGNETO	LW-382620-11	ALL	
LW-382884	DISTRIB. BLOCK & GEAR	N.L.A.		
LW-382886	DISTRIB. BLOCK & GEAR	N.L.A.		
LW-382910-12	MAGNETO	LW-382910-58	ALL	
LW-382910-13	MAGNETO	LW-682910-13	ALL	
LW-382910-17	MAGNETO	LW-382910-53	ALL	
LW-382910-18	MAGNETO	LW-682910-18	ALL	
LW-382910-53	MAGNETO	LW-382910-13	ALL	
LW-382910-58	MAGNETO	LW-382910-18	ALL	
LW-382920-11	MAGNETO	LW-682920-11	ALL	
LW-382920-51	MAGNETO	LW-382920-11	ALL	
LW-384400-103	HARNESS	LW-384400-303	ALL	
LW-384400-303	HARNESS	LW-384405-303, LW-684400-303	ALL	NOTE 386
LW-384405-303	HARNESS	LW-684405-303	ALL	
LW-384406-303	HARNESS	LW-684406-303	ALL	
LW-384407-303	HARNESS	LW-684407-303	ALL	
LW-384602-303	HARNESS	LW-684602-303	ALL	
LW-384602-307	HARNESS	LW-684602-307	ALL	
LW-384604-103	HARNESS	LW-684604-103	ALL	
LW-384604-106	HARNESS	LW-384604-126	ALL	NOTE 201
LW-384604-109	HARNESS	LW-684604-109	ALL	
LW-384604-126	HARNESS	LW-684604-126	ALL	
LW-384609-304	HARNESS	LW-684609-304	ALL	
LW-384800-107	HARNESS	LW-684800-107	ALL	
LW-384800-127	HARNESS	LW-684800-127	ALL	
LW-385046-109	IGNITION SYSTEM	LW-685046-109	ALL	S.I. 1291

**SECTION 1  
NUMERICAL PARTS HISTORY SUPERSEDURES**

ORIGINAL PART NO.	NOMENCLATURE	SUPERSEDING PART NO.	USE	REFERENCES
LW-385046-110	IGNITION SYSTEM	LW-685046-110	ALL	S.I. 1291
LW-385046-114	IGNITION SYSTEM	LW-385046-210	ALL	
LW-385046-115	IGNITION SYSTEM	LW-385046-209	ALL	
LW-385046-209	IGNITION SYSTEM	LW-385046-109	ALL	S.B.437
LW-385046-210	IGNITION SYSTEM	LW-385046-110	ALL	
LW-385048-101	IGNITION SYSTEM	LW-685048-101	ALL	
LW-385048-201	IGNITION SYSTEM	LW-385048-101	ALL	
LW-385124-106	IGNITION SYSTEM	LW-385124-110, LW-385124-111, LW-685124-106	ALL	NOTE 387
LW-385124-108	IGNITION SYSTEM	LW-685124-108	ALL	
LW-385124-110	IGNITION SYSTEM	LW-685124-110	ALL	
LW-385124-111	IGNITION SYSTEM	LW-685124-111	ALL	
LW-385124-112	IGNITION SYSTEM	LW-685124-112	ALL	
LW-385124-113	IGNITION SYSTEM	LW-685124-113	ALL	
LW-385124-115	IGNITION SYSTEM	LW-685124-115	ALL	
LW-385124-116	IGNITION SYSTEM	LW-385124-110	ALL	
LW-385124-117	IGNITION SYSTEM	LW-685124-117	ALL	
LW-385124-118	IGNITION SYSTEM	LW-685124-118	ALL	
LW-385124-119	IGNITION SYSTEM	LW-385124-111	ALL	
LW-385124-121	IGNITION SYSTEM	LW-685124-121	ALL	
LW-385124-122	IGNITION SYSTEM	LW-685124-122	ALL	
LW-385124-124	IGNITION SYSTEM	LW-685124-124	ALL	
LW-385124-126	IGNITION SYSTEM	LW-685124-126	ALL	
LW-385124-127	IGNITION SYSTEM	LW-385124-129	ALL	
LW-385124-128	IGNITION SYSTEM	LW-385124-130	ALL	
LW-385124-129	IGNITION SYSTEM	LW-685124-129	ALL	
LW-385124-130	IGNITION SYSTEM	LW-685124-130	ALL	
LW-385124-206	IGNITION SYSTEM	LW-385124-106	ALL	
LW-385124-208	IGNITION SYSTEM	LW-385124-108	ALL	
LW-385124-210	IGNITION SYSTEM	LW-385124-110	ALL	
LW-385124-211	IGNITION SYSTEM	LW-385124-111	ALL	
LW-385124-215	IGNITION SYSTEM	LW-385124-115	ALL	
LW-385124-217	IGNITION SYSTEM	LW-385124-117	ALL	
LW-385124-218	IGNITION SYSTEM	LW-385124-118	ALL	
LW-385124-221	IGNITION SYSTEM	LW-385124-121	ALL	
LW-385124-222	IGNITION SYSTEM	LW-385124-122	ALL	
LW-385126-105	IGNITION SYSTEM	LW-385126-107, LW-685126-105	ALL	NOTE 388
LW-385126-107	IGNITION SYSTEM	LW-685126-107	ALL	
LW-385126-109	IGNITION SYSTEM	LW-685126-109	ALL	
LW-385126-111	IGNITION SYSTEM	LW-685126-111	ALL	
LW-385126-112	IGNITION SYSTEM	LW-685126-112	ALL	
LW-385126-205	IGNITION SYSTEM	LW-385126-105	ALL	

**SECTION 1  
NUMERICAL PARTS HISTORY SUPERSEDURES**

ORIGINAL PART NO.	NOMENCLATURE	SUPERSEDING PART NO.	USE	REFERENCES
LW-385126-207	IGNITION SYSTEM	LW-385126-107	ALL	
LW-385126-209	IGNITION SYSTEM	LW-385126-109	ALL	
LW-385126-212	IGNITION SYSTEM	LW-385126-112	ALL	
LW-385144-112	IGNITION SYSTEM	LW-685144-112	ALL	
LW-385144-113	IGNITION SYSTEM	LW-685144-113	ALL	
LW-385146-103	IGNITION SYSTEM	LW-385046-109	ALL	NOTE 201, S.I. 1291
LW-385146-104	IGNITION SYSTEM	LW-385046-110	ALL	NOTE 201, S.I. 1291
LW-385146-106	IGNITION SYSTEM	LW-685146-106	ALL	
LW-385146-111	IGNITION SYSTEM	LW-685146-111	ALL	
LW-385146-115	IGNITION SYSTEM	LW-385146-211	ALL	
LW-385146-206	IGNITION SYSTEM	LW-385146-106	ALL	
LW-385146-211	IGNITION SYSTEM	LW-385146-111	ALL	
LW-385148-101	IGNITION SYSTEM	LW-685148-101	ALL	
LW-385148-102	IGNITION SYSTEM	LW-685148-102	ALL	
LW-385148-201	IGNITION SYSTEM	LW-385148-101	ALL	
LW-385148-202	IGNITION SYSTEM	LW-385148-102	ALL	
LW-385164-112	IGNITION SYSTEM	LW-685164-112	ALL	
LW-385164-113	IGNITION SYSTEM	LW-685164-113	ALL	
LW-385166-102	IGNITION SYSTEM	LW-685166-102	ALL	
LW-385186-109	IGNITION SYSTEM	LW-685186-109	ALL	
LW-385186-209	IGNITION SYSTEM	LW-385186-109	ALL	
LW-38-6.00	BOLT	N.L.A.	ALL	
LW-38SSH1.19	BOLT	STD-2145	ALL	
LW-38SSH1.19	BOLT	N.L.A.	ALL	
LW-391424	DISTRIB. BLOCK & GEAR	N.L.A.		S.B. 458
LW-391426	DISTRIB. BLOCK & GEAR	N.L.A.		S.B. 458
LW-391427	IMPULSE COUPLING	N.L.A.		
LW-391428	DISTRIB. BLOCK & GEAR	N.L.A.		S.B. 458
LW-391429	IMPULSE COUPLING	N.L.A.		S.B. 380
LW-51360-25	MAGNETO	LW-51360-37	ALL	
LW-51360-29	MAGNETO	66B21778	ALL	
LW-51360-37	MAGNETO	66A21765	ALL	
LW-51360-45	MAGNETO	66A21765	ALL	
LW-51360-46	MAGNETO	66A21767	ALL	
LW-51360-47	MAGNETO	66A21768	ALL	
LW-51360-54	MAGNETO	66A21766	ALL	
LW-51360-55	MAGNETO	LW-51360-58	ALL	
LW-51360-58	MAGNETO	66A21766	ALL	
LW-51365-32	MAGNETO	66A21770	ALL	
LW-51365-33	MAGNETO	66B21781	ALL	

**SECTION 1  
NUMERICAL PARTS HISTORY SUPERSEDURES**

ORIGINAL PART NO.	NOMENCLATURE	SUPERSEDING PART NO.	USE	REFERENCES
LW-51365-34	MAGNETO	66A21771	ALL	
LW-51365-46	MAGNETO	66B21780	ALL	
LW-51365-47	MAGNETO	66A21769	ALL	
LW-51365-57	MAGNETO	66A21769	ALL	
LW-52350-22	MAGNETO	66B21781	ALL	
LW-52350-23	MAGNETO	66A21771	ALL	
LW-620026-2	CLIP	LW-16266-25-25	ALL	
LW-620028-1	CLIP	71824	ALL	
LW-620028-2	CLIP	71824	ALL	
LW-620028-3	CLIP	71824	ALL	
LW-620029-6	CLIP	LW-16266-10-50	ALL	
LW-620032-2	CLIP	LW-16266-10-88	ALL	
LW-620032-3	CLIP	N.L.A.		
LW-620032-7	CLIP	LW-16266-25-88	ALL	
LW-620034-1	CLIP	LW-16266-25-63	ALL	
LW-620036-1	CLIP	LW-16266-25-75	ALL	
LW-620036-4	CLIP	LW-16266-10-75	ALL	
LW-620037-3	CLIP	LW-16266-38-75	ALL	
LW-620037-4	CLIP	LW-16266-10-63, LW-16266-10-75	ALL	NOTE 389
LW-620178-104	HARNESS	LW-720178-104	ALL	
LW-620193-112	LEAD ASSY.	LW-720193-112	ALL	
LW-620326-2	HARNESS	LW-720326-2	ALL	
LW-620410-3	HARNESS	LW-720410-3	ALL	
LW-620435-1	HARNESS	N.L.A.		
LW-620435-4	HARNESS	LW-720435-4	ALL	
LW-620445-1	HARNESS	LW-720445-1	ALL	
LW-620465-1	HARNESS	LW-620465-2	ALL	
LW-620465-2	HARNESS	LW-720465-2	ALL	
LW-620470-2	HARNESS	LW-720470-2	ALL	
LW-620470-3	HARNESS	LW-720470-3	ALL	
LW-620470-4	HARNESS	LW-720470-4	ALL	
LW-620470-5	HARNESS	LW-720470-5	ALL	
LW-620475-1	HARNESS	LW-720475-1	ALL	
LW-620475-2	HARNESS	LW-720475-2	ALL	
LW-620475-3	HARNESS	LW-720475-3	ALL	
LW-620480-1	HARNESS	LW-720480-1	ALL	
LW-620480-3	HARNESS	LW-720480-3	ALL	
LW-620505-1	HARNESS	LW-720505-1	ALL	
LW-620510-1	HARNESS	LW-720510-1	ALL	
LW-620510-2	HARNESS	LW-720510-2	ALL	
LW-620510-3	HARNESS	LW-720510-3	ALL	
LW-620510-4	HARNESS	LW-720510-4	ALL	

**SECTION 1  
NUMERICAL PARTS HISTORY SUPERSEDURES**

ORIGINAL PART NO.	NOMENCLATURE	SUPERSEDING PART NO.	USE	REFERENCES
LW-620515-1	HARNESS	LW-720515-1	ALL	
LW-620515-2	HARNESS	LW-720515-2	ALL	
LW-620515-3	HARNESS	LW-720515-3	ALL	
LW-620520-1	HARNESS	LW-720520-1	ALL	
LW-620525-102	LEAD ASSY.	LW-720525-102	ALL	
LW-620530-101	LEAD ASSY.	LW-720530-101	ALL	
LW-620570-1	HARNESS	LW-620570-4	ALL	
LW-620570-14	HARNESS	LW-720570-14	ALL	
LW-620570-4	HARNESS	LW-720570-4	ALL	
LW-620580-1	CABLE ASSY.	LW-720580-1	ALL	
LW-620580-11	HARNESS	LW-720580-11	ALL	
LW-620580-2	CABLE ASSY.	LW-720580-2	ALL	
LW-682605-17	MAGNETO	LW-682605-13	ALL	
LW-684400-303	HARNESS	67H21456	ALL	
LW-684400-305	HARNESS	67H21452	ALL	
LW-684405-303	HARNESS	67H21450	ALL	
LW-684406-103	HARNESS	LW-684406-303	ALL	
LW-684406-303	HARNESS	67H21451	ALL	
LW-684407-303	HARNESS	67H21454	ALL	
LW-684408-302	HARNESS	67H21456	ALL	
LW-684408-402	HARNESS	684408-302	ALL	
LW-684409-102	HARNESS	67H21460	ALL	
LW-684409-106	HARNESS	LW-684412-106	ALL	S.I. 1419
LW-684411-306	HARNESS	LW-684411-402	ALL	
LW-684412-106	HARNESS	67H21460	ALL	
LW-684602-303	HARNESS	67H21471	ALL	
LW-684602-304	HARNESS	LW-684602-303	ALL	
LW-684602-305	HARNESS	LW-684602-303	ALL	
LW-684602-307	HARNESS	67H21471	ALL	
LW-684604-103	HARNESS	67H21474	ALL	
LW-684604-109	HARNESS	67H21474	ALL	
LW-684604-126	HARNESS	67H21474	ALL	
LW-684607-102	HARNESS	67H21473	ALL	
LW-684609-302	HARNESS	67H21470	ALL	
LW-684609-304	HARNESS	LW-684609-302	ALL	
LW-684610-126	HARNESS	67H21472	ALL	
LW-684800-107	HARNESS	67H21480	ALL	
LW-684800-127	HARNESS	67H21480	ALL	
LW-684801-107	HARNESS	67H21480	ALL	
LW-685046-109	IGNITION SYSTEM	66E21550	ALL	
LW-685046-110	IGNITION SYSTEM	66E21551	ALL	
LW-685046-118	IGNITION SYSTEM	66E21552	ALL	

**SECTION 1  
NUMERICAL PARTS HISTORY SUPERSEDURES**

ORIGINAL PART NO.	NOMENCLATURE	SUPERSEDING PART NO.	USE	REFERENCES
LW-685046-119	IGNITION SYSTEM	66E21553	ALL	
LW-685048-101	IGNITION SYSTEM	66E21554	ALL	
LW-685124-106	IGNITION SYSTEM	66E21561	ALL	
LW-685124-108	IGNITION SYSTEM	66E21562	ALL	
LW-685124-110	IGNITION SYSTEM	66E21563	ALL	
LW-685124-111	IGNITION SYSTEM	66E21564	ALL	
LW-685124-112	IGNITION SYSTEM	66E21565	ALL	
LW-685124-113	IGNITION SYSTEM	66E21566	ALL	
LW-685124-115	IGNITION SYSTEM	66E21567	ALL	
LW-685124-117	IGNITION SYSTEM	66E21568	ALL	
LW-685124-118	IGNITION SYSTEM	66E21569	ALL	
LW-685124-121	IGNITION SYSTEM	66E21570	ALL	
LW-685124-122	IGNITION SYSTEM	LW-685124-115	ALL	
LW-685124-123	IGNITION SYSTEM	66E21572	ALL	
LW-685124-124	IGNITION SYSTEM	66E21573	ALL	
LW-685124-129	IGNITION SYSTEM	66E21574	ALL	
LW-685124-130	IGNITION SYSTEM	66E21575	ALL	
LW-685124-223	IGNITION SYSTEM	LW-685124-123	ALL	
LW-685126-105	IGNITION SYSTEM	66E21576	ALL	
LW-685126-107	IGNITION SYSTEM	66E21577	ALL	
LW-685126-108	IGNITION SYSTEM	LW-685126-107	ALL	
LW-685126-109	IGNITION SYSTEM	66E21578	ALL	
LW-685126-111	IGNITION SYSTEM	66E21579	ALL	
LW-685126-112	IGNITION SYSTEM	66E21580	ALL	
LW-685144-112	IGNITION SYSTEM	LW-685144-114	ALL	
LW-685144-114	IGNITION SYSTEM	66E21585	ALL	
LW-685146-106	IGNITION SYSTEM	66E21556	ALL	
LW-685146-111	IGNITION SYSTEM	66E21557	ALL	
LW-685148-101	IGNITION SYSTEM	66E21558	ALL	
LW-685148-102	IGNITION SYSTEM	66E21559	ALL	
LW-685164-112	IGNITION SYSTEM	66E21581	ALL	
LW-685164-113	IGNITION SYSTEM	66E21582	ALL	
LW-685166-107	IGNITION SYSTEM	LW-685126-107	ALL	
LW-685186-109	IGNITION SYSTEM	66E21560	ALL	
LW-720178-104	HARNESS	67Y21850	ALL	
LW-720326-2	HARNESS	67Y21801	ALL	
LW-720410-3	HARNESS	67Y21801	ALL	
LW-720435-4	HARNESS	67Y21875	ALL	
LW-720445-1	HARNESS	67Y21892	ALL	
LW-720465-2	HARNESS	67Y21893	ALL	
LW-720470-2	HARNESS	67Y21894	ALL	
LW-720470-3	HARNESS	67Y21897	ALL	



**SECTION 1  
NUMERICAL PARTS HISTORY SUPERSEDURES**

<b>ORIGINAL PART NO.</b>	<b>NOMENCLATURE</b>	<b>SUPERSEDING PART NO.</b>	<b>USE</b>	<b>REFERENCES</b>
LW-720470-4	HARNESS	67Y21894	ALL	
LW-720470-5	HARNESS	67Y21894	ALL	
LW-720475-1	HARNESS	67Y21890	ALL	
LW-720475-2	HARNESS	N.L.A.		
LW-720475-3	HARNESS	N.L.A.		
LW-720480-1	HARNESS	67Y21891	ALL	
LW-720480-3	HARNESS	67Y21891	ALL	
LW-720505-1	HARNESS	67Y21825	ALL	
LW-720510-1	HARNESS	67Y21825	ALL	
LW-720510-2	HARNESS	67Y21827	ALL	
LW-720510-3	HARNESS	67Y21828	ALL	
LW-720510-4	HARNESS	67Y21826	ALL	
LW-720515-1	HARNESS	67Y21897	ALL	
LW-720515-2	HARNESS	N.L.A.		
LW-720515-203	HARNESS	67Y21896	ALL	
LW-720515-3	HARNESS	67Y21895	ALL	
LW-720515-5	HARNESS	N.L.A.		
LW-720520-1	HARNESS	N.L.A.		
LW-720570-4	HARNESS	67Y21845	ALL	
LW-720570-5	HARNESS	LW-720570-4	ALL	
LW-720580-1	HARNESS	67Y21876	ALL	
LW-720580-11	HARNESS	67Y21876	ALL	
LW-720710-1	HARNESS	67Y21800	ALL	
LW-721002-1	HARNESS	LW-M-2448 & LW-M-2449	ALL	
LW-721005-1	HARNESS	LW-M-2403 & LW-M-2404	ALL	
LW-721008-1	HARNESS	LW-M-2493 & LW-M-2494	ALL	
LW-721009-1	HARNESS	LW-M-2454 & LW-M-2455	ALL	
LW-721011-1	HARNESS	LW-M-2409 & LW-M-2410	ALL	
LW-721013-1	HARNESS	LW-M-2484 & LW-M-2485	ALL	
LW-721014-1	HARNESS	LW-M-2481 & LW-M-2482	ALL	
LW-721017-1	HARNESS	LW-M-2472 & LW-M-2473	ALL	
LW-721018-1	HARNESS	LW-M-2457 & LW-M-2458	ALL	
LW-721019-1	HARNESS	LW-M-2427 & LW-M-2428	ALL	
LW-721020-1	HARNESS	LW-M-2487 & LW-M-2488	ALL	
LW-721021-1	HARNESS	LW-M-2490 & LW-M-2491	ALL	
LW-721022-1	HARNESS	LW-M-2460 & LW-M-2461	ALL	
LW-721024-1	HARNESS	LW-M-2463 & LW-M-2464	ALL	
LW-721025-1	HARNESS	LW-M-2412 & LW-M-2413	ALL	
LW-721026-1	HARNESS	LW-M-2466 & LW-M-2467	ALL	
LW-721033-1	HARNESS	LW-M-2469 & LW-M-2470	ALL	
LW-721034-1	HARNESS	LW-M-2475 & LW-M-2476	ALL	
LW-721035-1	HARNESS	LW-M-2478 & LW-M-2479	ALL	

**SECTION 1  
NUMERICAL PARTS HISTORY SUPERSEDURES**

ORIGINAL PART NO.	NOMENCLATURE	SUPERSEDING PART NO.	USE	REFERENCES
LW-721036-1	HARNESS	LW-M-2415 & LW-M-2416	ALL	
LW-721040-1	HARNESS	LW-M-2418 & LW-M-2419	ALL	
LW-721041-1	HARNESS	LW-M-2421 & LW-M-2422	ALL	
LW-721042-1	HARNESS	LW-M-2424 & LW-M-2425	ALL	
LW-721046-1	HARNESS	LW-M-2451 & LW-M-2452	ALL	
LW-89027-17	BRACKET	LW-14875	ALL	
LW-89027-4	BRACKET	LW-14874	ALL	
LW-M-2418	HARNESS ASSY.	N.L.A.		
LW-M-2419	HARNESS ASSY.	N.L.A.		
LW-M-2466	HARNESS ASSY.	N.L.A.		
LW-M-2475	HARNESS ASSY.	N.L.A.		
LW-M-2476	HARNESS ASSY.	N.L.A.		
LW-M-2478	HARNESS ASSY.	N.L.A.		
LW-M-2479	HARNESS ASSY.	N.L.A.		
LW-M-2484	HARNESS ASSY.	N.L.A.		
LW-M-2485	HARNESS ASSY.	N.L.A.		
LW-M-2487	HARNESS ASSY.	N.L.A.		
LW-M-2488	HARNESS ASSY.	N.L.A.		
LW-M-2490	HARNESS ASSY.	N.L.A.		
LW-M-2491	HARNESS ASSY.	N.L.A.		
LW-M-2493	HARNESS ASSY.	N.L.A.		
LW-M-2494	HARNESS ASSY.	N.L.A.		
LW-M-4031	HARNESS ASSY.	N.L.A.		
LW-M-4032	HARNESS ASSY.	N.L.A.		
M-1797	FERRULE	N.L.A.	ALL	
MS122121	INSERT	STD-1623	ALL	
MS122161	INSERT	STD-1173	ALL	
MS122200	INSERT	N.L.A.	ALL	
MS124659	INSERT	STD-2134	ALL	
MS124660	INSERT	N.L.A.		
MS124662	INSERT	LW-12589		NOTE 201, NOTE 434
MS124663	INSERT	STD-1849	ALL	
MS124738	INSERT	N.L.A.		
MS124776	INSERT	N.L.A.	ALL	
MS13997-3	KEY	17C21191	ALL	
MS13998-3	CAP	17C19386	ALL	
MS16625-1062	RING	N.L.A.		
MS16625-1068	RING	N.L.A.		
MS16625-1081	CIRCLIP	STD-2231	ALL	
MS16625-1112	RING	MS16625-1125		NOTE 201
MS171595	PIN	STD-2169	ALL	
MS20074-04-06	BOLT	LW-25H0.75	ALL	

**SECTION 1  
NUMERICAL PARTS HISTORY SUPERSEDURES**

ORIGINAL PART NO.	NOMENCLATURE	SUPERSEDING PART NO.	USE	REFERENCES
MS20074-04-07	BOLT	MS20074-04-06	ALL	
MS20074-04-14	BOLT	LW-25H1.50	ALL	
MS20074-04-15	BOLT	MS20074-04-14	ALL	
MS20470AD4-5	RIVET	N.L.A.		
MS20822-10	ELBOW	77155	ALL	NOTE 432
MS20822-3	ELBOW	MS20823-3, 77915, 02A21380		NOTE 428, S.B. 494, S.B. 497
MS20822-4	ELBOW	78067		NOTE 429
MS20822-5-4D	ELBOW	MS20822-5-4	ALL	
MS20822-6-2	ELBOW	AN914-1		NOTE 430
MS20822-6-6D	ELBOW	MS20822-6-6	ALL	
MS20822-6D	ELBOW	MS20822-6	ALL	SB 240, SI 1435, SB 488
MS20822-8	ELBOW	MS20823-8		NOTE 431
MS20823-4	ELBOW	LW-14259, 02A22619, MS20822-04		NOTE 433, S.B. 494, S.B. 497
MS20823-6	ELBOW	AN822-6, MS20822-6, MS20823-4		NOTE 484
MS20913-125	PLUG	N.L.A.		
MS21045-3	NUT	N.L.A.		
MS21045-4	NUT	N.L.A.		
MS21045-5	NUT	STD-2237	ALL	
MS21261R406	KEY	STD-1973	ALL	
MS21261R505	KEY	STD-2057	ALL	
MS21333-99	CLAMP	LW-16266-25-38	ALL	
MS21919DF4	CLAMP	MS21919-DG4	ALL	
MS21919-DG3	CLAMP	LW-16266-10-19	ALL	
MS21919-DG4	CLAMP	LW-16266-10-25	ALL	
MS21919-F12	CLIP	LW-12202	ALL	
MS21919-F13	CLIP	MS21919-G13	ALL	
MS21919-F2	CLAMP	LW-16266-10-13	ALL	
MS21919-F7	CLAMP	MS21919-G7	ALL	
MS21919-F8	CLIP	N.L.A.	ALL	
MS21919-G10	CLIP	LW-16266-10-63	ALL	
MS21919-G12	CLIP	LW-16266-10-75	ALL	
MS21919-G13	CLAMP	LW-16266-10-81	ALL	
MS21919-G14	CLIP	LW-16266-10-88	ALL	
MS21919-G6	CLIP	LW-16266-10-38	ALL	
MS21919-G7	CLIP	LW-16266-10-44	ALL	
MS21919-G8	CLAMP	LW-16266-10-50	ALL	
MS21920-24	CLAMP	LW-15858-62-294	ALL	
MS21920-37	CLAMP	LW-15858-62-438	ALL	
MS24665-370	PIN	STD-714	ALL	
MS24677-23	SCREW	N.L.A.		

**SECTION 1  
NUMERICAL PARTS HISTORY SUPERSEDURES**

ORIGINAL PART NO.	NOMENCLATURE	SUPERSEDING PART NO.	USE	REFERENCES
MS27975-2	CLEVIS	N.L.A.		
MS28775-117	O-RING	N.L.A.		
MS29512-3	SEAL	MS29512-03	ALL	
MS29512-4	SEAL	MS29512-04	ALL	
MS29512-6	SEAL	MS29512-06	ALL	
MS29512-8	SEAL	MS29512-08	ALL	
MS29513-014	SEAL	N.L.A.		
MS29513-15	"O" RING	MS29513-015	ALL	
MS35489-17	GROMMET	N.L.A.		
MS9014-07	RING	MS16625-1050	ALL	
MS9021-109	SEAL "O" RING	N.L.A.		
MS9025-5	CLIP	LW-16266-25-38	ALL	
MS9047-073	PIN	MS16562-28	ALL	
MS9047-104	PIN	STD-2099	ALL	
MS9047-133	PIN	N.L.A.		
MS9048-100	PIN	MS171526	ALL	
MS9048-111	PIN	AN565B1032-H5	ALL	S.I. 1343
MS9048-224	PIN	MS171646	ALL	NOTE 201, S.I. 1368
MS9136-01	GASKET	06B22359	ALL	
MS9241-035	SEAL	N.L.A.		
MS9245-47	PIN	STD-761	ALL	
OS-5007-2	BUSHING	N.L.A.		
OS-5114-1	BUSHING	N.L.A.		
OS-5216-2	BUSHING	N.L.A.		
OS-5290-1	BUSHING	N.L.A.		
OS-5290-2	BUSHING	N.L.A.		
OS-5484-1	BUSHING	N.L.A.		
OS-5627-2	BUSHING	N.L.A.		
OS-5683-1	BUSHING	N.L.A.		
OS-5691	BUSHING	N.L.A.		
OS-5715-8	BUSHING	N.L.A.		
OS-5764-2	BUSHING	N.L.A.		
P-19821	WASHER	N.L.A.		
RA-5234	LOCKNUT	N.L.A.		
RA-8297	SPRING SEAL	N.L.A.		
RA-9093	SPRING	N.L.A.		
RB-17367-2	SPRING	N.L.A.		
S145-3-8-032	WASHER	N.L.A.		
S-456347	PIN	N.L.A.		
STD-1004	RING-OIL SEAL	MS9068-009	ALL	
STD-1035	NUT	N.L.A.		
STD-1037	DOWEL	01N19833-218		NOTE 450

**SECTION 1  
NUMERICAL PARTS HISTORY SUPERSEDURES**

ORIGINAL PART NO.	NOMENCLATURE	SUPERSEDING PART NO.	USE	REFERENCES
STD-1037	DOWEL	N.L.A.		
STD-1045	GASKET	06E19769-1.25	ALL	
STD-1050	CIRCLIP	N.L.A.		
STD-1053	PLUG	N.L.A.		
STD-111	GASKET	06E19769-1.00	ALL	
STD-1111	ELBOW	AN842-12D, STD-2232		NOTE 451
STD-1112	ELBOW	MS20823-6	ALL	
STD-1114	SCREW	LW-25H1.50, LW-25SS-1.50		NOTE 452
STD-1133	DOWEL	STD-2104		NOTE 498
STD-1169	BOLT	LW-31H2.00	ALL	
STD-1177	DOWEL	STD-1774		NOTE 454
STD-119	PLUG	N.L.A.		
STD-1197	BOLT	AN6-34A	ALL	
STD-1201	BOLT	LW-31-1.25	ALL	
STD-1202	BOLT	LW-31-109	ALL	
STD-1203	BOLT	STD-1817		NOTE 455
STD-1204	BOLT	LW-25-0.94	ALL	
STD-1205	BOLT	AN6-21	ALL	
STD-1211	PLUG	77416		NOTE 456
STD-1215	BOLT	STD-1419, LW-25-1.25		NOTE 457
STD-1228	WASHER	STD-33	ALL	
STD-1230	BOLT	AN4-12A	ALL	
STD-1231	BOLT	AN4-11A	ALL	
STD-1235	BOLT	LW-31H1.63	ALL	
STD-1236	BOLT	AN4H5A	ALL	
STD-1241	CLAMP	MS21920-24	ALL	
STD-1252	CLAMP	LW-15592-8-08	ALL	
STD-1269	CLAMP	LW-15592-8-28	ALL	
STD-1272	GASKET	06E19769-1.50	ALL	
STD-1290	INSERT	MS124738	ALL	
STD-1291	RING-OIL SEAL	70310	ALL	
STD-1301	RING-OIL SEA	MS28775-218	ALL	
STD-131	SCREW	N.L.A.		
STD-1315	INSERT	N.L.A.		
STD-1323	BOLT	STD-2156	ALL	
STD-1325	GASKET	06E19769-1.63	ALL	
STD-1340	PIN	N.L.A.		
STD-1342	WASHER	STD-2032		NOTE 458
STD-1363	DOWEL	STD-2186	ALL	
STD-139	PLUG	STD-1339	ALL	
STD-1394	BALL	73777	ALL	
STD-1396	ELBOW	N.L.A.		

**SECTION 1  
NUMERICAL PARTS HISTORY SUPERSEDURES**

ORIGINAL PART NO.	NOMENCLATURE	SUPERSEDING PART NO.	USE	REFERENCES
STD-14	RIVET	N.L.A.		
STD-1409	NUT SLOTTED	STD-2249		
STD-1410	NUT	STD-1420, STD-2218		NOTE 201, NOTE 459
STD-1412	SCREW	STD-1925	ALL	
STD-1414	BOLT	LW-25-1.50	ALL	
STD-1415	BOLT	STD-2084	ALL	
STD-1416	BOLT	LW-25S1.50	ALL	
STD-1419	BOLT	LW-25-1.13	ALL	
STD-1429	SCREW	STD-1791	ALL	
STD-143	WASHER	STD 2181		NOTE 439
STD-1430	BOLT	AN4-26	ALL	
STD-1434	CLAMP	STD-1530	ALL	
STD-144	RIVET	N.L.A.		
STD-1441	GASKET	06E19769-0.50	ALL	
STD-1459	BOLT	AN3-4A	ALL	
STD-1499	BOLT	LW-25-0.50	ALL	
STD-1507	CLAMP	AN737TW46	ALL	
STD-151	DOWEL	STD-1392		NOTE 440
STD-1525	BOLT	STD-1958, LW-38H1.31		NOTE 460,
STD-1530	CLAMP	LW-15592-8-24	ALL	
STD-1534	ADAPTER	N.L.A.		
STD-1543	CIRCLIP	N.L.A.		
STD-1544	WASHER	STD-1854	ALL	
STD-1559	SCREW	STD-1937	ALL	S.B. 475
STD-1560	RING-OIL SEAL	MS28775-012	ALL	
STD-1566	SCREW	STD-1501		NOTE 461
STD-157	GASKET	(2 ea) STD-351	ALL	NOTE 201
STD-1575	BOLT	LW-25-2.94	ALL	
STD-1576	HOSE	71703		NOTE 462
STD-1592	BOLT	LW-38H-0.75	ALL	
STD-1597	CLAMP	LW-15592-8-24	ALL	
STD-1608	BOLT	LW-31-2.75	ALL	
STD-1617	PLUG	STD-551	ALL	
STD-1621	BOLT	LW-25-2.25	ALL	
STD-1631	DOWEL	N.L.A.		
STD-164	LOCKWIRE	STD-715	ALL	
STD-1640	CLAMP	LW-15592-8-08	ALL	
STD-1646	BOLT	LW-25-2.00	ALL	
STD-1660	NIPPLE	N.L.A.		
STD-1664	ELBOW	N.L.A.		
STD-1665	ADAPTER	N.L.A.		
STD-1667	RING	MS16562-28	ALL	S.I. 1338

**SECTION 1  
NUMERICAL PARTS HISTORY SUPERSEDURES**

ORIGINAL PART NO.	NOMENCLATURE	SUPERSEDING PART NO.	USE	REFERENCES
STD-1669	BOLT	STD-1807	ALL	
STD-1679	BOLT	STD-776		NOTE 463
STD-1681	CLAMP	STD-1252	ALL	
STD-1684	PLUG	STD-1852	ALL	
STD-1687	WASHER	STD-251	ALL	
STD-1688	BOLT	LW-25-1.00	ALL	
STD-1695	NUT	STD-2045	ALL	
STD-1698	RING	N.L.A.		NOTE 464
STD-1703	SCREW	N.L.A.		
STD-1711	DOWEL	72139	ALL	
STD-1733	RING-OIL SEAL	STD-1880		NOTE 465, S.I. 1329
STD-1748	BOLT	68083		NOTE 466
STD-1760	SEAL	N.L.A.		
STD-1763	PALNUT	STD-475	ALL	
STD-1768	PLUG	STD-2187		NOTE 467
STD-1769	RING	N.L.A.		
STD-179	SCREW	STD-1833	ALL	
STD-1793	HOSE	STD-2180	ALL	
STD-1807	SCREW	STD-1882	ALL	
STD-1815	NUT	STD-1420		NOTE 468
STD-1817	BOLT	LW-31H0.75	ALL	
STD-1820	SCREW	STD-1901	ALL	
STD-1821	HOSE	STD-347		NOTE 469
STD-1824	PLUG	STD-784	ALL	
STD-1825	BOLT	LW-31-1.69	ALL	
STD-1826	SCREW	STD-1925	ALL	
STD-1828	BOLT	LW-31-1.31	ALL	
STD-1830	BOLT	STD-1944, STD-1843, LW-25-3.00		NOTE 470
STD-1831	CLAMP	STD-1530	ALL	
STD-1833	SCREW	AN115907	ALL	
STD-1834	BOLT	LW-31S1.07	ALL	
STD-1835	BOLT	LW-31S1.38	ALL	
STD-1836	BOLT	LW-31S1.91	ALL	
STD-1837	BOLT	LW-31S2.29	ALL	
STD-1838	SCREW	LW-31-0.94		NOTE 471
STD-184	PIN	N.L.A.		
STD-1840	GROMMET	LW-19196	ALL	
STD-1843	BOLT	LW-25-3.00	ALL	
STD-1851	BOLT	LW-31S1.16	ALL	
STD-1852	PLUG	N.L.A.		
STD-1858	BOLT	LW-31H0.88, STD-1838		NOTE 487
STD-1859	BOLT	LW-25S1.64	ALL	

**SECTION 1  
NUMERICAL PARTS HISTORY SUPERSEDURES**

ORIGINAL PART NO.	NOMENCLATURE	SUPERSEDING PART NO.	USE	REFERENCES
STD-1861	BOLT	LW-31S1.25	ALL	
STD-1862	BOLT	LW-25H1.37, STD-2073		NOTE 488
STD-1863	BOLT	STD-1868	ALL	
STD-1864	NUT	STD-2249		NOTE 511
STD-1866	BOLT	STD-1890	ALL	
STD-1867	BOLT	LW-25H3.00	ALL	
STD-1868	BOLT	LW-25S1.80	ALL	
STD-1871	CLAMP	STD-1530	ALL	
STD-1875	BOLT	LW-25-0.81	ALL	
STD-1877	INSERT	N.L.A.		
STD-1879	BOLT	N.L.A.		
STD-1881	SCREW	LW-25H1.88	ALL	
STD-1884	SCREW	STD-1856	ALL	
STD-1885	BOLT	LW-25-1.64, STD-1948		NOTE 489, S.I. 1415
STD-1887	BOLT	LW-25-4.00	ALL	
STD-1889	BOLT	STD-2120, LW-31H1.22		NOTE 472
STD-189	CLIP	73726	ALL	
STD-1890	BOLT	STD-1875	ALL	
STD-1893	BOLT	STD-1865	ALL	
STD-1895	BOLT	AN4-4A	ALL	
STD-1899	NIPPLE	74753	ALL	
STD-1900	NIPPLE	74376	ALL	NOTE 201
STD-1902	BOLT	LW-31-0.94	ALL	
STD-1903	BOLT	LW-25S2.13	ALL	
STD-1904	BOLT	LW-25S2.75	ALL	
STD-1905	BOLT	LW-25-2.31	ALL	
STD-1909	BOLT	STD-1926	ALL	
STD-1910	BOLT	STD-1817	ALL	
STD-1913	CLAMP	STD-2038	ALL	
STD-1914	CLAMP	STD-1252	ALL	
STD-1919	BOLT	LW-25-0.56	ALL	
STD-1922	RING-OIL SEAL	MS28778-16	ALL	
STD-1924	CLAMP	STD-2174	ALL	
STD-1926	BOLT	LW-31-0.67	ALL	
STD-1930	HOSE	02M19799		NOTE 473
STD-1931	BOLT	LW-25-1.88	ALL	
STD-1937	BOLT	STD-2209	ALL	
STD-1943	DOWEL	N.L.A.		
STD-1944	BOLT	LW-25S2.97	ALL	
STD-1946	BOLT	STD-1592, LW-38-0.88	ALL	NOTE 474
STD-1947	BOLT	LW-38-0.59	ALL	
STD-1948	BOLT	LW-25-2.69	ALL	



**SECTION 1  
NUMERICAL PARTS HISTORY SUPERSEDURES**

ORIGINAL PART NO.	NOMENCLATURE	SUPERSEDING PART NO.	USE	REFERENCES
STD-1949	BOLT	N.L.A.		
STD-1950	BOLT	N.L.A.		
STD-1951	BOLT	LW-25-3.63	ALL	
STD-1952	BOLT	LW-25-2.13	ALL	
STD-1953	BOLT	LW-25-4.00	ALL	
STD-1954	BOLT	N.L.A.		
STD-1955	BOLT	LW-31H4.25	ALL	
STD-1956	BOLT	N.L.A.		
STD-1957	BOLT	LW-38-1.00	ALL	
STD-1958	BOLT	N.L.A.		
STD-1959	BOLT	LW-38-1.63	ALL	
STD-1960	BOLT	LW-38-4.28	ALL	
STD-1961	BOLT	LW-38-6.00	ALL	
STD-1963	KEY	STD-1025	ALL	
STD-1964	SPACER	N.L.A.		
STD-1965	HOSE	N.L.A.		
STD-1968	BOLT	LW-25-0.63	ALL	
STD-1971	CLAMP	STD-1924	ALL	
STD-1972	PLUG	N.L.A.		
STD-1974	NUT	N.L.A.		
STD-1975	BOLT	LW-25-2.56	ALL	
STD-1976	BOLT	LW-25S0.77	ALL	
STD-1977	BOLT	LW-25S1.14	ALL	
STD-1980	DOWEL	N.L.A.		
STD-1982	DOWEL	N.L.A.		
STD-1988	BOLT	LW-25-2.69	ALL	
STD-1989	INSERT	N.L.A.		
STD-1990	SCREW	STD-1916	ALL	
STD-1991	BOLT	LW-31H4.94	ALL	
STD-1992	CONE	N.L.A.		
STD-1993	BOLT	STD-2133	ALL	
STD-1994	BOLT	LW-38-2.88	ALL	
STD-1996	BOLT	STD-1115		NOTE 475
STD-1997	BOLT	LW-31-2.50		NOTE 528
STD-1997	BOLT	LW-31SS-2.50		S.I. 1415 (TIO-360, TO-360)
STD-1999	BOLT	LW-25-600	ALL	
STD-2	NUT	STD-1013		NOTE 485
STD-2	NUT	N.L.A.		
STD-2001	BOLT	LW-25-3.50	ALL	
STD-2003	BOLT	LW-25S3.07	ALL	
STD-2004	BOLT	LW-25S2.41	ALL	
STD-2005	BOLT	LW-25S2.22	ALL	

**SECTION 1  
NUMERICAL PARTS HISTORY SUPERSEDURES**

ORIGINAL PART NO.	NOMENCLATURE	SUPERSEDING PART NO.	USE	REFERENCES
STD-2006	BOLT	LW-25S2.89	ALL	
STD-2008	BOLT	LW-25H1.00	ALL	
STD-2010	BOLT	LW-31-1.50	ALL	
STD-2014	BOLT	LW-31-4.13	ALL	
STD-2015	BOLT	LW-31-3.13	ALL	
STD-2027	BOLT	LW-25-4.41	ALL	
STD-2028	BOLT	LW-25-5.66		
STD-2031	BOLT	LW-31-1.09		NOTE 476
STD-2033	BOLT	LW-31S1.28	ALL	
STD-2034	KEY	STD-95	ALL	
STD-2037	BOLT	LW-38-4.69	ALL	NOTE 477, S.I. 1248
STD-2038	CLAMP	LW-15592-5-04	ALL	
STD-2039	BOLT	LW-25-4.50	ALL	
STD-2044	NUT	MS21043-4		NOTE 478
STD-2049	CLIP	LW-16266-25-25	ALL	
STD-2055	BOLT	LW-38-4.50	ALL	
STD-2059	SCREW	STD-1925	ALL	NOTE 479
STD-2060	BOLT	LW-31SS-1.00	ALL	NOTE 490
STD-2063	NUT	STD-2090	ALL	
STD-2068	SCREW	N.L.A.		
STD-2069	BOLT	STD-1858	ALL	
STD-2077	BOLT	LW-31H1.06	ALL	
STD-2079	NUT	STD-2044		NOTE 480
STD-208	SEAL	STD-2217	ALL	
STD-2084	BOLT	LW-25-1.75	ALL	
STD-2085	BOLT	STD-2156	ALL	
STD-2100	BOLT	LW-31S-4.72		NOTE 491 S.I. 1384
STD-2103	BOLT	LW-25-3.38	ALL	
STD-2109	BOLT	N.L.A.		
STD-2111	BOLT	N.L.A.		
STD-2115	PIN	N.L.A.		
STD-2117	CLAMP	STD-1252, STD-2188, LW-15592-8-08		NOTE 481
STD-2120	BOLT	LW-31H1.31	ALL	
STD-2129	BOLT	LW-31H2.50	ALL	
STD-2132	NUT-.375-24 UNF- SELF LOCKING	MS20500-624		
STD-2133	BOLT	N.L.A.		
STD-2134	INSERT	N.L.A.		
STD-2135	BOLT	LW-31S5.44	ALL	
STD-2136	BOLT	LW-31S5.56	ALL	
STD-2137	BOLT	LW-38H0.88	ALL	
STD-2141	BOLT	LW-31S4.44	ALL	

**SECTION 1  
NUMERICAL PARTS HISTORY SUPERSEDURES**

ORIGINAL PART NO.	NOMENCLATURE	SUPERSEDING PART NO.	USE	REFERENCES
STD-2142	BOLT	LW-31S5.31	ALL	
STD-2143	BOLT	LW-31S5.44	ALL	
STD-2150	BOLT	LW-31H1.75	ALL	
STD-2151	BOLT	N.L.A.		
STD-2152	BOLT	LW-31-0.81	ALL	
STD-2156	BOLT	LW-31-1.16	ALL	
STD-2157	BOLT	LW-31SS-0.88	ALL	
STD-2164	INSERT	N.L.A.		S.L. L162
STD-2167	SCREW	LW-31H0.88	ALL	
STD-2170	RING-OIL SEAL	N.L.A.		
STD-2171	GASKET	N.L.A.		
STD-2173	WASHER	N.L.A.		
STD-2174	CLAMP	STD-2188	ALL	
STD-2175	SCREW	STD-1916	ALL	
STD-2177	BOLT	LW-25SS0.94	ALL	S.B.393
STD-2181	WASHER	N.L.A.		
STD-2184	PLUG	LW-18434	ALL	NOTE 113
STD-2186	DOWEL-.25 DIA X .34 LONG	N.L.A.		
STD-2187	PLUG	STD-783	ALL	
STD-2188	CLAMP	LW-15592-5-04, LW-15592-5-05	ALL	NOTE 492
STD-2195	DOWEL	STD-2196	ALL	NOTE 113
STD-2199	SCREW	STD-1874	ALL	
STD-2209	BOLT	STD-2247		S.B. 475
STD-2213	SCREW	STD-2246		S.B. 475
STD-2217	SEAL	06A19956	ALL	
STD-2218	NUT	STD-2233	ALL	
STD-2223	PIN	N.L.A.		
STD-2224	PIN	STD-1037	ALL	
STD-2234	BOLT	STD-2245		S.B. 475
STD-2234	BOLT	N.L.A.		
STD-2242	BOLT	LW-38SS-1.06		
STD-239	SCREW	STD-1679	ALL	
STD-241	SEAL	STD-213	ALL	
STD-242	BUSHING	N.L.A.		
STD-243	WASHER	AN365-632C	ALL	
STD-252	WASHER	STD-1727	ALL	
STD-258	NUT	AN365-632C	ALL	
STD-279	SCREW	N.L.A.		
STD-28	WASHER	STD-425		NOTE 201, NOTE 435
STD-294	GASKET	06E19769-0.63	ALL	
STD-302	LOCKWIRE	STD-164	ALL	

**SECTION 1  
NUMERICAL PARTS HISTORY SUPERSEDURES**

ORIGINAL PART NO.	NOMENCLATURE	SUPERSEDING PART NO.	USE	REFERENCES
STD-314	SCREW	N.L.A.		
STD-33	WASHER	STD-690, STD -2191		NOTE 436
STD-336	RING-OIL SEAL	72075	ALL	
STD-346	RING-OIL SEAL	MS29512-04	ALL	
STD-347	HOSE	STD-2180	ALL	
STD-348	CLAMP	STD-1252	ALL	
STD-351	GASKET	06E19769-0.75	ALL	
STD-36	PALNUT	STD-475	ALL	
STD-374	NUT	N.L.A.		
STD-375	SCREW	STD-1896, AN500A10-8		NOTE 441
STD-38	NUT	383-B	ALL	
STD-385	SCREW	AN74-3	ALL	
STD-395	SCREW	LW-25H1.25	ALL	
STD-43	NUT	AN-320-4	ALL	
STD-431	PLUG	N.L.A.		
STD-433	SCREW	AN500A10-8	ALL	
STD-435	SCREW	N.L.A.		
STD-450	PLUG	N.L.A.		
STD-453	PLUG	STD-784	ALL	
STD-458	WASHER	N.L.A.		
STD-460	BOLT	LW-25-0.75	ALL	
STD-47	PLUG	STD-783	ALL	
STD-473	SCREW	AN501-416-10	ALL	
STD-50	NUT	STD-2	ALL	
STD-51	PLUG	1102	ALL	
STD-514	DOWEL	STD-2035		NOTE 442
STD-528	NUT	STD-2090	ALL	
STD-529	LOCKNUT	N.L.A.		
STD-532	DOWEL	N.L.A.		
STD-543	PIN	STD-1853	ALL	
STD-546	NIPPLE	74225	ALL	
STD-585	RING	72182	ALL	
STD-589	GASKET	06E19769-0.91	ALL	
STD-599	SCREW	AN535-4-3	ALL	
STD-60	PIN	STD-761	ALL	
STD-61	NUT	STD-1035		NOTE 201, NOTE 437
STD-616	NUT	STD-674	ALL	
STD-65	PIN	N.L.A.		
STD-663	GASKET	AN900-7	ALL	
STD-676	NUT	STD-2221		NOTE 443
STD-68	PIN	STD-164		NOTE 486
STD-692	SCREW	STD-860		NOTE 435

**SECTION 1  
NUMERICAL PARTS HISTORY SUPERSEDURES**

ORIGINAL PART NO.	NOMENCLATURE	SUPERSEDING PART NO.	USE	REFERENCES
STD-700	ELBOW	MS20822-6		NOTE 444, S.I. 1435
STD-705	SCREW	LW-25-0.63	ALL	
STD-708	PIN	N.L.A.		
STD-71	PLUG	STD-784		NOTE 438
STD-715	LOCKWIRE	STD-1823	ALL	
STD-740	PLUG SLOTTED	SB-1450		
STD-761	PIN	STD-713, MS9047-077		NOTE 445
STD-776	BOLT	STD-2155	ALL	
STD-788	CLAMP	AN737TW38	ALL	
STD-811	SCREW	STD-1230	ALL	NOTE 453
STD-811	SCREW	N.L.A.		
STD-847	SCREW	STD-2213	ALL	
STD-860	SCREW	STD-692		NOTE 446
STD-865	SCREW	N.L.A.		
STD-872	NUT	71950, 74646		NOTE 201, NOTE 447
STD-883	GROMMET	N.L.A.		
STD-896	BOLT	AN4-4A, AN501-416-10		NOTE 448
STD-918	SCREW	LW-25H0.75	ALL	
STD-938	DOWEL	N.L.A.		
STD-949	REDUCER	STD-1932	ALL	
STD-957	GROMMET	N.L.A.		
STD-958	GROMMET	N.L.A.		
STD-960	CIRCLIP	N.L.A.		
STD-961	LOCKRING	N.L.A.		
STD-969	SCREW	STD-860		NOTE 449
STD-998	RING-OIL SEAL	72091	ALL	
235	SLEEVE	71489 & 71401	ALL	
238	GASKET	45663	ALL	
518	SLINGER	68319	ALL	NOTE 201
702	GASKET	06E19769-0.78	ALL	
1597	SLEEVE	61546	ALL	
1675	FITTING	67984	ALL	NOTE 201
1892	SPRING	N.L.A.		
5028	SPRING ASSY.	72262	ALL	
5152	NUT	N.L.A.		
5422	NAIL	N.L.A.		
5475	CABLE	N.L.A.		
5585	ELBOW ASSY.	N.L.A.		
5982	CABLE	50136	ALL	
6778	CLAMP	50130	ALL	
6783	CLAMP	N.L.A.		
6785	GROMMET	N.L.A.	ALL	

**SECTION 1  
NUMERICAL PARTS HISTORY SUPERSEDURES**

ORIGINAL PART NO.	NOMENCLATURE	SUPERSEDING PART NO.	USE	REFERENCES
6801	CLAMP	N.L.A.		
6802	CLAMP	MS21919-G12	ALL	
6827	BRACKET	N.L.A.		
7269	COLLAR	N.L.A.		
7410	TERMINAL	72263	ALL	
7494	GROMMET	66836	ALL	
7612	SPRING	72250	ALL	
7724	ELBOW ASSY.	72264-2	ALL	
7726	ELBOW ASSY.	N.L.A.		
9495	EYELET	73245	ALL	
20414	COVER	N.L.A.	ALL	
25021	STUD	N.L.A.		
25115678	SEAT-VALVE	N.L.A.		
25115679	VALVE SEAT	N.L.A.		
25115680	VALVE SEAT	N.L.A.		
10-6	STUD	N.L.A.		
45187	GASKET	72220	ALL	
45223	SEAL	N.L.A.		
45310	BEARING	18P19400	ALL	
45324	PLUG	N.L.A.		
45341	RING	N.L.A.	ALL	
45342	RING	N.L.A.	ALL	
45475	VALVE	N.L.A.		
45663	GASKET	62224		NOTE 201
45664	CABLE	N.L.A.		
45677	CLIP	N.L.A.		
45732	SPARK PLUG	1182-L3	ALL	S.I. 1042
50130	CLAMP	N.L.A.		
50136	CABLE	N.L.A.		
50581	EYELET	N.L.A.		
50605	SCREW	N.L.A.		
51061	GROMMET	76718	ALL	
52045	BRACKET	N.L.A.		
52411	EYELET	73245	ALL	
54210	PLATE	N.L.A.		
54218	GROMMET	N.L.A.		
54235	BRACKET ASSY.	N.L.A.		
54330	PLATE	N.L.A.		
54356	SPRING ASSY.	7612	ALL	
58248	LEAD ASSY.	N.L.A.		
58820	LEAD ASSY.	N.L.A.		
58821	LEAD ASSY.	N.L.A.		

**SECTION 1  
NUMERICAL PARTS HISTORY SUPERSEDURES**

ORIGINAL PART NO.	NOMENCLATURE	SUPERSEDING PART NO.	USE	REFERENCES
59475	CONDUIT ASSY.	N.L.A.		
59477	CONDUIT ASSY.	N.L.A.		
59478	CONDUIT ASSY.	N.L.A.		
59479	CONDUIT ASSY.	N.L.A.		
59481	CONDUIT ASSY.	N.L.A.		
59538	LEAD ASSY.	73378	ALL	
59539	LEAD ASSY.	73905	ALL	
59540	LEAD ASSY.	73904	ALL	
59541	LEAD ASSY.	73906	ALL	
59542	LEAD ASSY.	73380	ALL	
59543	LEAD ASSY.	73379	ALL	
60007	BOLT	74667	ALL	NOTE 201
60025	SCREW	73807	ALL	NOTE 201
60028	GUIDE	76943	ALL	S.I. 1256
60037	VALVE	LW-11901	ALL	
60046	TAPPET ASSY.	71105	ALL	
60053	SEAL	62922	ALL	
60069	FLANGE	73346	ALL	
60081	PLUG	68048	ALL	NOTE 201
60129	GASKET	60592	ALL	
60131	GASKET	71973	ALL	NOTE 113
60193	ROCKER	68519	ALL	
60311	PLUG	72434	ALL	S.I.1037, NOTE 200,
60321	SEAL	76940	ALL	
60329	SHAFT	78530	ALL	NOTE 201
60337	SEAT	LW-16699	ALL	NOTE 113
60354	CIRCLIP	N.L.A.		
60378	RING	61824	ALL	
60398	BUSHING	74637	ALL	
60401	SHAFT	LW-13790 & LW-12892	ALL	NOTE 200, S.B.400
60403	PIN	77857		NOTE 200, S.B. 316
60422	SCREEN	70484		NOTE 1
60431	COVER-FUEL PUMP	N.L.A.		
60433	PLUG	N.L.A.		
60449	TUBE	71577	ALL	
60480	ROD	69470-1	ALL	S.I. 1060
60481	ROD	73412		S.I.1060
60482	ROD	73413		S.I.1060
60488	COVER	61247	ALL	
60549	PLUNGER	N.L.A.		
60626	PLUG	N.L.A.		
60670	PLATE	N.L.A.		

**SECTION 1  
NUMERICAL PARTS HISTORY SUPERSEDURES**

ORIGINAL PART NO.	NOMENCLATURE	SUPERSEDING PART NO.	USE	REFERENCES
60726	BEARING	69373	ALL	
60729	BEARING	73048	ALL	
60734	SEAL	71879-S, 76940		NOTE 221
60746	IMPELLER	LW-18109		NOTE 2, S.I.1230, S.B. 524
60747	IMPELLER	LW-13775		NOTE 2, NOTE 201, S.B. 524
60795	BEARING	N.L.A.		
60810	BEARING	67447 or 68763		NOTE 3, NOTE 113,
60827	PIN	LW-13445		NOTE 4, NOTE 200
60828	PLUG	LW-11625		NOTE 4, NOTE 200 Form SSP-299
60833	ROD ASSY.	73806	ALL	NOTE 200
60849	STARTER	69952	ALL	
60860	BRACKET	69113	ALL	
60861	LINK	76028	ALL	
60869	WASHER	71596	ALL	
60880	SUPPORT	69340	ALL	S.I. 1121
60886	BELT	37B19774-325	ALL	
60895	GASKET	72059	ALL	
60896	GAGE	62219	ALL	NOTE 113
60906	BOLT	61182	ALL	
60930	SHAFT ASSY.	75708	ALL	S.I. 1218, NOTE 204
60933	BEARING	67447 or 68763	ALL	NOTE 3
60951	RING	67498	ALL	
60980	PUMP	62628	ALL	
60981	COVER	76061	ALL	NOTE 5, S.I. 1164
60984	BODY	76354	ALL	NOTE 5, S.I. 1164
61097	HYD. PUMP ADAPTER	28F21253	ALL	NOTE: SELL 61098
61143	PLUG	71714	ALL	
61147	PISTON	73851	ALL	NOTE 200
61152	GEAR ASSY.	75072	ALL	NOTE 113
61154	BUSHING	77309	ALL	
61155	GEAR	13S19646	ALL	S.B. 475
61156	LOCKPLATE	LW-18639	ALL	
61157	CRANKSHAFT	61539	ALL	
61159	RING	68116	ALL	
61162	GEAR	N.L.A.		NOTE 204, S.I. 1218
61163	GEAR	73683	ALL	
61164	GEAR ASSY.	72970	ALL	
61165	SEAL	LW-14260	ALL	
61167	HOUSING	68974	ALL	
61168	SCREEN ASSY.	62817	ALL	



**SECTION 1  
NUMERICAL PARTS HISTORY SUPERSEDURES**

ORIGINAL PART NO.	NOMENCLATURE	SUPERSEDING PART NO.	USE	REFERENCES
61174	SHAFT	75288	ALL	NOTE 201
61190	RING	LW-16867	ALL	
61191	ROD ASSY.	61475	ALL	
61193	RING	68196	ALL	
61238	STUD	25C-22	ALL	
61245	BUSHING	N.L.A.		
61249	CYLINDER ASSY.	71828	ALL	
61250	GUIDE	76943	ALL	
61251	SEAT	LW-13320	ALL	
61252	SEAT	65441	ALL	
61258	SEAT	LW-16800	ALL	
61259	FLANGE	N.L.A.		
61261	STUD	31C-12	ALL	
61262	STUD	25C-12	ALL	
61265	STUD	31CD-17		
61266	TAPPET	71105	ALL	
61278	GEAR ASSY.	74996	ALL	NOTE 257
61279	STUD	69943	ALL	
61291	GENERATOR	68762	ALL	
61294	REGULATOR	62831	ALL	
61306	BRACKET	N.L.A.		
61319	GASKET	N.L.A.		
61320	GASKET	N.L.A.		
61321	GASKET	N.L.A.		
61332	STRAINER	N.L.A.		
61333	PISTON	73851	ALL	
61338	GEAR ASSY.	66829	ALL	
61348	HOUSING ASSY..	68796	ALL	
61349	HOUSING ASSY..	61670	ALL	
61350	HOUSING ASSY..	61671	ALL	
61351	HOUSING ASSY..	61672	ALL	
61352	GASKET	73818	ALL	
61363	PIPE	LW-16728	ALL	
61364	PIPE	LW-16729	ALL	
61365	PIPE	LW-16730		
61369	GENERATOR	68011	ALL	
61382	GASKET	68972	ALL	
61384	CLIP	N.L.A.		
61385	CLIP	71824	ALL	
61386	CLIP	N.L.A.		
61387	SLEEVE	N.L.A.		S.I. 1172
61388	REGULATOR	62833	ALL	

**SECTION 1  
NUMERICAL PARTS HISTORY SUPERSEDURES**

ORIGINAL PART NO.	NOMENCLATURE	SUPERSEDING PART NO.	USE	REFERENCES
61389	GENERATOR	72463	ALL	
61417	BAFFLE	N.L.A.		
61422	CLAMP	N.L.A.		
61423	BAFFLE	N.L.A.		
61425	BRACKET	N.L.A.		
61426	BAFFLE	N.L.A.		
61427	SWITCH	76773	ALL	
61440	SWITCH	N.L.A.		
61456	PUMP	N.L.A.		
61458	TUBE ASSY.	67787	ALL	
61467	CLAMP	71911 & 66216	ALL	
61475	ROD ASSY.	61474-S	ALL	
61477	ROD	61476-S	ALL	NOTE 201
61494	SEAT	68325	ALL	NOTE 201
61502	MAGNETO	71398	ALL	
61520	BEARING	N.L.A.	ALL	
61527	CAMSHAFT ASSY.	62772	ALL	
61533	BEARING	N.L.A.	ALL	
61534	CRANKCASE ASSY.	68451	ALL	
61539	CRANKSHAFT ASSY.	LW-12693	ALL	S.I. 1113
61543	PLUNGER	N.L.A.		
61544	PLUNGER	23D26777	ALL	S.I. 1549
61546	SLEEVE	N.L.A.		
61554	COVER	N.L.A.		
61556	CABLE & PLATE ASSY.	67975	ALL	
61557	CABLE & PLATE ASSY.	73329	ALL	
61558	FERRULE	71974 & 71259	ALL	
61559	GROMMET	N.L.A.		
61560	PLATE	N.L.A.		
61561	PLATE	N.L.A.		
61562	CABLE ASSY.	68488	ALL	
61563	NUT	75825	ALL	
61564	KIT ASSY.	73246	ALL	
61565	KIT	71876	ALL	
61566	KIT ASSY.	LW-52305-1	ALL	
61572	WASHER	73245	ALL	
61573	SCREW	73245	ALL	
61581	TUBE ASSY.	LW-12098 or LW-13995	ALL	S.I. 1301
61585	BRACKET	68273	ALL	
61586	GENERATOR	68767	ALL	
61613	CABLE ASSY.	67974	ALL	

**SECTION 1  
NUMERICAL PARTS HISTORY SUPERSEDURES**

ORIGINAL PART NO.	NOMENCLATURE	SUPERSEDING PART NO.	USE	REFERENCES
61629	SPARK PLUG	1182-V1	ALL	S.I. 1042
61630	BEARING	N.L.A.		
61631	VALVE	N.L.A.		
61644	THERMOCOUPLE	62718	ALL	
61645	THERMOCOUPLE	62718	ALL	
61646	THERMOCOUPLE	LW-19199	ALL	
61647	TERMINAL	LW-19196	ALL	
61648	TERMINAL	LW-19196	ALL	
61661	RING	18M19391, 68196 ALT.	ALL	
61662	BEARING	69373	ALL	
61663	TERMINAL	N.L.A.		
61666	ADAPTER MAGNETO	LW-12706	ALL	
61667	MAGNETO	71397	ALL	
61668	STUD	31C-19	ALL	
61669	HOUSING ASSY.	62291	ALL	
61670	HOUSING ASSY.	62692	ALL	
61671	HOUSING ASSY.	62397	ALL	
61672	HOUSING ASSY.	62694	ALL	
61682	GUIDE	N.L.A.		
61825	RING	68338	ALL	
61826	RING	71555, 68115		NOTE 500
61850	STUD	31C-25	ALL	
61864	LOCKPLATE	73817	ALL	NOTE 258
61875	MAGNETO	71432	ALL	
61941	RELAY	76268	ALL	
62123	TUBE ASSY.	N.L.A.		
62130	BALL JOINT	N.L.A.		
62135	PLATE	LW-12079	ALL	
62184	CLIP	LW-12106	ALL	
62200	CLIP	LW-12105	ALL	
62218	TUBE	69097	ALL	
62219	GAGE ASSY.	LW-14751	ALL	
62246	BRACKET	N.L.A.		
62250	CRANKSHAFT ASSY.	62531	ALL	
62254	CLIP	73650, LW-12293, LW-16266-25-19		NOTE 17
62255	CLAMP	LW-16266-25-44	ALL	
62281	GAGE ASSY.	LW-14759	ALL	
62286	CYLINDER ASSY.	71831	ALL	
62289	CARBURETOR	N.L.A.		
62291	HOUSING ASSY.	68796	ALL	
62292	HOUSING ASSY.	68792	ALL	
62296	RING	68196	ALL	

**SECTION 1  
NUMERICAL PARTS HISTORY SUPERSEDURES**

ORIGINAL PART NO.	NOMENCLATURE	SUPERSEDING PART NO.	USE	REFERENCES
62311	RING	N.L.A.		
62316	CRANKCASE ASSY.	68051	ALL	
62317	BEARING	N.L.A.		
62318	SUMP ASSY.	LW-15688	ALL	
62319	PISTON	69958	ALL	NOTE 200
62326	RING	62916	ALL	
62331	TAPPET	71105	ALL	
62387	KEY	72050	ALL	
62388	CAP	MS13998-3	ALL	NOTE 259, S.I. 1136
62397	HOUSING ASSY.	68800, 68790		NOTE 501
62399	HOUSING ASSY.	68788	ALL	
62416	SPRING	68179	ALL	
62418	ADAPTER	N.L.A.		
62501	HOUSING ASSY.	N.L.A.		
62531	CRANKSHAFT ASSY.	N.L.A.		
62628	PUMP	73297	ALL	
62656	REGULATOR	N.L.A.		S.I. 1154
62692	HOUSING ASSY.	68798	ALL	
62694	HOUSING ASSY.	68802	ALL	
62703	GENERATOR	68765	ALL	S.I. 1154
62713	CONE	N.L.A.		NOTE 260
62714	STARTER	69953	ALL	
62718	WIRE ASSY.	LW-19196	ALL	
62719	PISTON	69958	ALL	
62772	CAMSHAFT ASSY.	75706	ALL	NOTE 200, NOTE 204
62814	SUMP	69370	ALL	
62815	HOUSING	53B21736	ALL	
62821	PISTON	69841	ALL	NOTE 200
62831	REGULATOR	72205	ALL	S.I. 1154
62832	GENERATOR	68764	ALL	S.I. 1154
62833	REGULATOR	N.L.A.		S.I. 1154
62834	GENERATOR	68767	ALL	S.I. 1154
62915	RING	68115	ALL	
62916	RING	73621	ALL	
62922	SEAL	LW-18661	ALL	
64700	WRENCH	N.L.A.		
64819	REAMER	N.L.A.		
64820	REAMER	N.L.A.		
64839	REAMER	N.L.A.		
64934	WRENCH	N.L.A.		
64940	PLUG-GAGE VALVE	N.L.A.		
64974	TOOL	N.L.A.		

**SECTION 1  
NUMERICAL PARTS HISTORY SUPERSEDURES**

ORIGINAL PART NO.	NOMENCLATURE	SUPERSEDING PART NO.	USE	REFERENCES
65009	TAPPET	N.L.A.		NOTE 261
65027	MAGNETO	66977	ALL	
65045	STUD	25-10	ALL	
65060	GASKET	66224	ALL	
65064	STUD	31-12	ALL	
65072	BODY	69529	ALL	
65073	PLUNGER	68312	ALL	
65074	SOCKET	78524	ALL	
65075	MAGNETO	66977	ALL	
65098	FUEL PUMP COVER	03D23350	ALL	
65318	FLANGE	61209	ALL	
65321	GASKET	LW-19296	ALL	
65330	CLIP	62254	ALL	
65331	CLAMP	71909	ALL	
65356	CRANKSHAFT	N.L.A.		
65367	CAGE	N.L.A.		
65368	JAW	70392	ALL	
65378	GEAR	67477	ALL	
65382	GEAR	67480	ALL	
65387	GEAR	67487	ALL	
65398	PLUG	69335	ALL	
65413	BAFFLE	N.L.A.		
65427	SPRING	76994	ALL	NOTE 223
65428	SPRING	68328	ALL	
65442	SEAT	68327	ALL	
65475	PLUG	N.L.A.		
65518	PLUG	72792	ALL	S.I. 1251
65520	BOLT	74855	ALL	NOTE 200
65567	SPRING	LW-11795, 68328	ALL	NOTE 262, S.I. 1240,
65596	PLATE	LW-12770	ALL	
65602	COUNTERWEIGHT	69393	ALL	NOTE 201, S.I. 1012
65640	COUNTERWEIGHT	69393	ALL	NOTE 201, S.I. 1012
65646	ROLLER	69433	ALL	NOTE 201, S.I. 1012
65692	HARNESS ASSY.	N.L.A.		NOTE 250
65695	CLAMP	71912	ALL	
65701	GASKET	66224	ALL	NOTE 6
65704	PLUNGER	N.L.A.		
65705	PLUG	N.L.A.		
65720	GEAR	N.L.A.		
65728	STUD	68316		NOTE 7
65734	BEARING	N.L.A.		
65761	BEARING	N.L.A.		

**SECTION 1  
NUMERICAL PARTS HISTORY SUPERSEDURES**

ORIGINAL PART NO.	NOMENCLATURE	SUPERSEDING PART NO.	USE	REFERENCES
65763	INSERT	66796		
65764	GASKET	N.L.A.		
65771	WIRE	62718	ALL	
65783	GASKET	67734	ALL	
65818	PIN	N.L.A.		
65819	BUSHING	LW-13923	ALL	
65820	ROD ASSY.	78029	ALL	NOTE 201
65883	CLAMP	N.L.A.		NOTE 8
65970	GEAR	LW-11186		NOTE 9, NOTE, 113
65971	PLATE	67388	ALL	
65974	HOUSING ASSY.	67482-S	ALL	NOTE 201,
65976	STUD	STD-1748	ALL	
65977	STUD	38-17	ALL	
65978	GEAR ASSY.	69735	ALL	NOTE 263
65978	GEAR ASSY.	N.L.A.		
65979	GEAR	LW-11183		NOTE 9, NOTE, 113
65980	PLATE	68087	ALL	
65986	SHAFT	LW-11179		NOTE 9, NOTE 113
65986-B	SHAFT -PINION	N.L.A.		
65987	CUP	LW-11178	ALL	
65988	GEAR	67488		NOTE 201
65991	NUT	N.L.A.		
65996	SPACER	75649	ALL	
66062	GEAR	67479	ALL	
66078	GEAR	67486	ALL	
66081	VALVE	N.L.A.		
66144	LOCKPLATE	72078	ALL	
66175	CRANKSHAFT ASSY.	69493	ALL	NOTE 201
66176	CRANKSHAFT	75002	ALL	NOTE 201
66194	STARTER	N.L.A.		
66220	CLAMP	71913	ALL	
66421	COUPLING	N.L.A.		
66429	VALVE	LW-11901	ALL	
66458	CARBURETOR	N.L.A.		
66519	COUPLING	N.L.A.		
66527	SEAT	69530, 72058		NOTE 264
66531	VALVE	69534, 17B19712	ALL	NOTE 113, NOTE 394, S.I.1246
66593	PLATE	N.L.A.		
66676	CLIP	73751	ALL	
66677	CLAMP	73050	ALL	
66681	CYLINDER ASSY.	71854	ALL	
66702	CLAMP	71911	ALL	

**SECTION 1  
NUMERICAL PARTS HISTORY SUPERSEDURES**

ORIGINAL PART NO.	NOMENCLATURE	SUPERSEDING PART NO.	USE	REFERENCES
66706	GAGE ASSY.	72421	ALL	NOTE 201
66710	CYLINDER ASSY.	67880	ALL	
66714	VALVE	71381	ALL	NOTE 265
66716	VALVE	67518	ALL	
66717	SPRING	79051	ALL	
66719	WASHER	71549	ALL	
66720	SEAT	66720-P20		NOTE 18, S.I. 1028
66721	SEAT	67835	ALL	
66722	ROD	71135	ALL	S.I. 1060
66723	ROD	71136	ALL	S.I. 1060
66724	ROD	71137	ALL	S.I. 1060
66731	COVER	72710	ALL	
66733	STUD	69679	ALL	
66734	STUD	75154	ALL	
66736	COVER	71188	ALL	
66739	TUBE ASSY.	72839	ALL	
66752	ELBOW ASSY.	71883 or 71884		NOTE 266
66810	MAGNETO	71433	ALL	
66814	TUBE ASSY.	N.L.A.		
66833	KIT	71877	ALL	
66835	PLATE	74735		NOTE 10
66836	GROMMET	N.L.A.		
66838	CABLE	71888	ALL	
66874	SHAFT	67493	ALL	NOTE 113
66875	CAGE	66875-S	ALL	
66877	GEAR ASSY.	67484	ALL	
66878	GEAR ASSY.	66998	ALL	
66879	CAMSHAFT	69504	ALL	
66884	ADAPTER	N.L.A.		
66889	SUPPORT	N.L.A.		
66894	SUMP ASSY.	66923	ALL	
66896	HOUSING	N.L.A.		
66903	GEAR	67607	ALL	
66906	SPACER	STD-35	ALL	
66908	ADAPTER ASSY.	67580	ALL	
66910	PUMP	LW-12064	ALL	
66920	SPRING	74596		NOTE 11
66921	HOUSING	N.L.A.		
66922	SPRING	N.L.A.		
66935	PIPE	N.L.A.		
66941	CRANKCASE ASSY.	68816		NOTE 113
66943	CARBURETOR	67713	ALL	

**SECTION 1  
NUMERICAL PARTS HISTORY SUPERSEDURES**

ORIGINAL PART NO.	NOMENCLATURE	SUPERSEDING PART NO.	USE	REFERENCES
66954	CRANKCASE ASSY.	66941	ALL	
66964	CABLE ASSY.	68622	ALL	
66967	GAGE ASSY.	72423	ALL	
66969	GAGE ASSY.	72425	ALL	
66970	ADAPTER	N.L.A.		
66971	TUBE	N.L.A.		
66973	COUPLING	N.L.A.		
66976	MAGNETO	N.L.A.		NOTE 12, S.B. 221
66977	MAGNETO	N.L.A.		NOTE 12, S.B. 221
66978	HOUSING	N.L.A.		NOTE 13
66979	CABLE ASSY.	68491	ALL	
66987	CARBURETOR	N.L.A.		
66990	STUD	31-12, 31-13		NOTE 267
66998	GEAR ASSY.	72123	ALL	
66999	RING GEAR	65970	ALL	
67112	ROCKER ASSY.	71265 or 74388		NOTE 20, NOTE 113, S.I. 1182
67113	ROCKER ASSY.	71266 or 17F21186		NOTE 21, NOTE 113, S.I. 1182
67114	BUSHING	74389	ALL	
67184	SPRING	68830	ALL	
67186	PLATE	N.L.A.		
67194	EXHAUST FLANGE	N.L.A.		
67196	GASKET	65321 or 73720		NOTE 14
67266	PISTON	71553, 73628		NOTE 23
67270	PLUG	N.L.A.		NOTE 22
67271	SHAFT	68806		NOTE 22
67275	ROD ASSY.	78028	ALL	S.I. 1183
67276	BEARING	LW-13522	ALL	
67388	PLATE	LW-11185		NOTE 24
67391	NUT	71818	ALL	NOTE 201
67392	LOCKPLATE	71817	ALL	NOTE 201
67393	GEAR	LW-11176		NOTE 25
67394	HOUSING	68293	ALL	NOTE 113, NOTE 268
67395	CAGE	68297		NOTE 113
67432	RING	62916	ALL	
67447	BEARING	18D19392, ALT. 68763	ALL	
67448	CAP & RING ASSY.	67811	ALL	
67452	CAP ASSY.	67810	ALL	
67477	GEAR	N.L.A.		
67479	GEAR	N.L.A.		
67482	HOUSING ASSY.	72124-S	ALL	
67483	GEAR ASSY.	69727	ALL	



**SECTION 1  
NUMERICAL PARTS HISTORY SUPERSEDURES**

ORIGINAL PART NO.	NOMENCLATURE	SUPERSEDING PART NO.	USE	REFERENCES
67484	GEAR ASSY.	72122		
67486	GEAR ASSY.	N.L.A.		
67488	GEAR	67393	ALL	NOTE 201
67498	RING	71481	ALL	
67501	PLUG	N.L.A.		
67512	SHAFT	74641	ALL	
67514	GEAR	13S19647	ALL	S.B.475
67516	LOCKPLATE	LW-18638	ALL	S.B.475
67518	VALVE	72612	ALL	S.B.301
67525	GASKET	72812	ALL	NOTE 113
67528	STUD	31C-13	ALL	
67537	GEAR ASSY.	72974	ALL	
67540	RING	69401		NOTE 15, S.I. 1037
67545	WIRE ASSY.	LW-19196	ALL	
67556	STUD	31C-16		NOTE 16
67563	GAGE ASSY.	72370	ALL	
67571	BAFFLE	69578	ALL	
67572	BAFFLE ASSY.	69578 and 69579	ALL	
67579	IGN. HARNESS	68622	ALL	
67587	COVER ASSY.	N.L.A.		
67591	SUMP ASSY.	N.L.A.		
67596	BUSHING	N.L.A.		
67599	CAMSHAFT	69503	ALL	
67622	PUMP ASSY.	N.L.A.		
67626	GEAR	N.L.A.		
67631	BUSHIING	67630	ALL	
67639	ADAPTER	75026	ALL	NOTE 201
67640	WASHER	N.L.A.		
67645	THRUST BUTTON	N.L.A.		
67646	BUSHING	N.L.A.		
67651	CRANKCASE ASSY.	68819	ALL	
67652	BUSHING	71341	ALL	
67653	BUSHING	N.L.A.		
67669	WASHER	71761	ALL	
67687	GEAR	N.L.A.		
67690	WASHER	N.L.A.		
67702	SEAL	71760	ALL	
67713	CARBURETOR	N.L.A.		
67724	SHAFT	72450	ALL	NOTE 201, S.I. 1108
67726	DOWEL	69861		NOTE 26
67729	NUT	N.L.A.		
67731	SLEEVE	72451		NOTE 27, NOTE 201

**SECTION 1  
NUMERICAL PARTS HISTORY SUPERSEDURES**

ORIGINAL PART NO.	NOMENCLATURE	SUPERSEDING PART NO.	USE	REFERENCES
67734	GASKET	74822	ALL	
67736	PLUG	N.L.A.		
67748	GASKET	72437	ALL	
67767	SHAFT ASSY.	67724	ALL	
67782	SHAFTGEAR ASSY.	N.L.A.		
67797	NUT	N.L.A.		
67798	BUSHING	71146	ALL	
67810	CAP	68322		NOTE 201, NOTE 269
67811	CAP	68291		NOTE 29
67812	BAFFLE	68536	ALL	
67813	BAFFLE	N.L.A.		
67835	SEAT	71894		NOTE 201
67880	CYLINDER	69257	ALL	NOTE 201
67904	SEAT	72057	ALL	
67905	VALVE	72625	ALL	S.B. 301
67906	VALVE	71837	ALL	
67912	CRANKCASE ASSY.	LW-10070	ALL	
67914	GASKET	LW-11175		NOTE 97
67961	HOUSING	N.L.A.		
67962	SUMP ASSY.	67692	ALL	
67970	BAFFLE	69579	ALL	
67975	CABLE & PLATE ASSY.	73729		
67984	FITTING	N.L.A.		
67985	ELBOW ASSY.	71495		NOTE 98
68029	GEAR	69258	ALL	NOTE 201
68031	GEAR	N.L.A.		
68035	SHAFT ASSY.	72588	ALL	
68037	GASKET	69279	ALL	
68038	SHIM	69228	ALL	
68039	ADAPTER ASSY.	69290	ALL	
68044	WASHER	N.L.A.		
68045	WASHER	N.L.A.		
68046	WASHER	N.L.A.		
68047	HOUSING ASSY.	68300	ALL	
68048	PLUG	N.L.A.		
68049	SCREW	68630	ALL	
68069	CARBURETOR ASSY.	67713	ALL	
68083	BOLT	68364	ALL	
68109	RETAINER	71758	ALL	NOTE 201
68114	RING	62916		S.I. 1037
68115	RING	62916, LW-13883		NOTE 33, S.I. 1037
68116	RING	LW-14233		S.I. 1037

**SECTION 1  
NUMERICAL PARTS HISTORY SUPERSEDURES**

ORIGINAL PART NO.	NOMENCLATURE	SUPERSEDING PART NO.	USE	REFERENCES
68118	LOCKWASHER	74529	ALL	
68135	NUT	N.L.A.		
68144	HOUSING ASSY.	71158	ALL	
68151	SHIM	71759	ALL	
68152	CAGE ASSY.	69736	ALL	NOTE 201
68161	SHAFT, OIL PUMP IDLER	N.L.A.		
68170	HOUSING ASSY.	70315	ALL	
68172	GASKET	76740		NOTE 34, NOTE 113
68174	GASKET			NOTE 35
68179	SPRING	69436	ALL	
68182	ADAPTER ASSY.	73968 or LW-12675		NOTE 36, NOTE 201
68198	SCREEN ASSY.	N.L.A.		
68211	VALVE	66531	ALL	
68212	CARBURETOR	70366	ALL	
68234	CRANKCASE ASSY.	68822	ALL	
68235	GEAR ASSY.	72146	ALL	NOTE 201
68237	GROMMET	72907	ALL	
68241	COVER	N.L.A.		
68253	SHIELDING ASSY.	N.L.A.		
68262	FUEL PUMP	62E22580		S.B. 539A
68263	REGULATOR	N.L.A.		S.I. 1154
68264	REGULATOR	N.L.A.	ALL	S.I. 1154
68265	STARTER	76536	ALL	S.I. 1154
68267	GENERATOR	N.L.A.		S.I. 1154
68268	GENERATOR	N.L.A.		S.I. 1154
68273	BRACKET	69452	ALL	
68274	MAGNETO	71434	ALL	
68288	LOCKPLATE	74203		NOTE 113, S.I. 1210
68289	CAGE ASSY.	69876	ALL	
68290	NUT	74204	ALL	NOTE 113, S.I. 1210
68293	HOUSING ASSY.	LW-11174		NOTE 37, S.B. 319
68297	CAGE	LW-11180		NOTE 38
68297-P22	CAGE	N.L.A.		
68306	HOUSING ASSY.	N.L.A.		
68312	PLUNGER ASSY.	71791		S.I.. 1011
68316	STUD	31C-14 or 31C-15		NOTE 39
68319	SLINGER	77454	ALL	S.B. 319, S.I. 1292
68321	STUD	N.L.A.		
68322	CAP ASSY.	N.L.A.		
68324	PLUNGER ASSY.	71791		S.I. 1011
68325	SEAT	LW-13321	ALL	NOTE 201
68326	SPRING	LW-11796	ALL	

**SECTION 1  
NUMERICAL PARTS HISTORY SUPERSEDURES**

ORIGINAL PART NO.	NOMENCLATURE	SUPERSEDING PART NO.	USE	REFERENCES
68327	SEAT	LW-10077		NOTE 40
68328	SPRING	LW-11797	ALL	
68336	SHIELDING ASSY.	73370	ALL	
68338	RING	75985	ALL	NOTE 200, NOTE 269
68363	CRANKCASE ASSY.	N.L.A.		
68375	RETAINER	71999	ALL	
68404	IMPELLER	LW-19286		NOTE 41
68405	CARBURETOR	N.L.A.		
68425	BUSHING	N.L.A.		
68426	WASHER	72549		NOTE 201, S.I. 1084
68437	STUD	31C-15	ALL	
68439	CLIP	62254	ALL	
68440	COVER ASSY.	73094	ALL	NOTE 201
68466	BUSHING, OIL PUMP DRIVE SHFT	N.L.A.		
68473	SLEEVE	LW-13036	ALL	NOTE 201
68486	FERRULE	71974	ALL	NOTE 201
68488	CABLE ASSY.	71491	ALL	NOTE 201
68490	CABLE ASSY.	71788	ALL	
68491	CABLE ASSY.	71914	ALL	NOTE 201
68509	RING	72454	ALL	
68510	STUD	25C-9	ALL	
68512	RING	74989		NOTE 201, S.I. 1037
68513	RING	72446,74989,		NOTE 201, S.I. 1037
68514	NUT	71133	ALL	S.B. 213
68515	NUT	71134	ALL	S.B. 213
68517	SPRING	LW-12273		NOTE 42
68518	LOCKPLATE	LW-12272		NOTE 42
68525	CRANKCASE ASSY.	69816	ALL	S.B. 213
68527	BEARING	71637	ALL	
68530	TUBE	N.L.A.		
68531	ADAPTER ASSY.	75545	ALL	NOTE 201
68535	BAFFLE ASSY.	N.L.A.		
68544	SHAFT	72384	ALL	NOTE 270
68545	WASHER ASSY.	N.L.A.		
68571	TUBE & PLATE ASSY.	70443	ALL	
68590	BUSHING	N.L.A.		
68592	CARBURETOR	69250	ALL	
68604	CLIP	LW-16266-25-31	ALL	
68606	CRANKSHAFT ASSY.	75065	ALL	S.B.253, S.I. 1113
68613	SLINGER	72079	ALL	NOTE 201
68616	HOUSING ASSY.	68634	ALL	
68619	HOUSING ASSY.	68634	ALL	

**SECTION 1  
NUMERICAL PARTS HISTORY SUPERSEDURES**

ORIGINAL PART NO.	NOMENCLATURE	SUPERSEDING PART NO.	USE	REFERENCES
68620	HOUSING ASSY.	68634	ALL	
68622	CABLE ASSY.	71787	ALL	
68626	REGULATOR	N.L.A.		S.I. 1154
68628	RELAY	N.L.A.		S,I. 1154
68630	SCREW	74595	ALL	
68633	SHIELD	N.L.A.		NOTE 204, S.I. 1218
68634	HOUSING ASSY.	72498	ALL	
68639	GEAR	72080	ALL	S.I.1016, S.I.1218
68678	GEAR ASSY.	69155	ALL	
68679	SPACER	N.L.A.		
68694	ADAPTER ASSY.	74432	ALL	NOTE 43
68694	ADAPTER ASSY.	N.L.A.	ALL	
68703	GEAR ASSY.	69352	ALL	
68710	PIN	77857 & 69650		NOTE 44, NOTE 200
68725	HOUSING ASSY.	68634	ALL	
68727	HOUSING ASSY.	68634	ALL	
68729	HOUSING ASSY.	68634	ALL	
68731	HOUSING ASSY.	68634	ALL	
68746	CYLINDER ASSY.	68989	ALL	
68749	SHAFT	72230		NOTE 45
68751	STUD	69679 & 69376		NOTE 46, S.B. 213, S.B. 273
68753	SPACER	76118		S.I. 1218
68757	SHAFT ASSY.	76121		S.I. 1218, NOTE 113, NOTE 204
68758	TUBE	73317	ALL	NOTE 47
68762	GENERATOR	N.L.A.		S.I. 1154
68763	BEARING	18D23137		NOTE 3, NOTE 200, S.I. 1512
68763-P15	BEARING	18D23137-P15		
68763-P15-M03	BEARING	N.L.A.		
68763-P15-M06	BEARING	N.L.A.		
68763-P15-M10	BEARING	N.L.A.		
68764	GENERATOR	N.L.A.		S.I. 1154
68765	GENERATOR	N.L.A.		S.I. 1154
68766	GENERATOR	N.L.A.		S.I. 1154
68767	GENERATOR	N.L.A.		S.I. 1154
68769	CAMSHAFT ASSY.	74167, 76098		S.B. 293,S.I. 1218, S.I.1263, NOTE 204, NOTE 271
68776	GUIDE	69533	ALL	
68777	GUIDE	69533	ALL	
68788	HOUSING ASSY.	N.L.A.		
68790	HOUSING ASSY.	21A23000-01	ALL	

**SECTION 1  
NUMERICAL PARTS HISTORY SUPERSEDURES**

ORIGINAL PART NO.	NOMENCLATURE	SUPERSEDING PART NO.	USE	REFERENCES
68792	HOUSING ASSY.	21A23000-01	ALL	
68796	HOUSING ASSY.	21A23000-01	ALL	
68798	HOUSING ASSY.	21A23000-01	ALL	
68800	HOUSING ASSY.	21A23000-01	ALL	
68802	HOUSING ASSY.	21A23000-01	ALL	
68806	SHAFT	72626	ALL	
68810	REGULATOR	N.L.A.		S.I. 1154
68813	TUBE	69844	ALL	
68840	CONNECTION	69602	ALL	
68859	SHAFT ASSY.	75261		S.I.1145, NOTE 201
68861	TUBE ASSY.	N.L.A.		
68864	CRANKSHAFT ASSY.	72049	ALL	S.B. 253, NOTE 201
68868	SPACER	69345	ALL	
68871	GENERATOR	N.L.A.		S,I. 1154
68872	REGULATOR	N.L.A.		S.I. 1154
68873	HOUSING ASSY.	69999	ALL	
68874	CUSHION	LW-12136		S.B. 311
68875	RETAINER	73009, LW-16784		NOTE 48, NOTE 113, S.B. 311
68923	BAFFLE ASSY.	72150	ALL	
68936	PISTON	69337	ALL	
68939	SPACER	N.L.A.		
68942	SUPPORT ASSY.	68867	ALL	
68951	COVER ASSY.	77667	ALL	NOTE 201
68954	ELBOW ASSY.	71495	ALL	NOTE 201
68958	COVER	69106	ALL	
68970	KIT ASSY.	N.L.A.		
68972	GASKET	LW-13353	ALL	
68973	CABLE ASSY.	71490	ALL	
68974	HOUSING	69510	ALL	
68983	CAP ASSY.	N.L.A.		
68987	TUBE	75772	ALL	S.I. 1277
68989	CYLINDER ASSY.	69387	ALL	S.B. 213
69000	ADAPTER ASSY.	75153	ALL	NOTE 201
69061	ADAPTER ASSY.	69291	ALL	
69062	GEAR ASSY.	72127	ALL	NOTE 201
69074	SHAFTGEAR	74126		NOTE 201, S.I. 1084
69080	SPACER	N.L.A.		
69089	CARBURETOR	N.L.A.		
69092	RING	N.L.A.		NOTE 200, NOTE 272
69097	TUBE	75735	ALL	NOTE 201
69098	TUBE	75736	ALL	NOTE 201
69109	CRANKCASE ASSY.	69816	ALL	NOTE 201, S.B. 213

**SECTION 1  
NUMERICAL PARTS HISTORY SUPERSEDURES**

ORIGINAL PART NO.	NOMENCLATURE	SUPERSEDING PART NO.	USE	REFERENCES
69116	GAGE ASSY.	LW-14758	ALL	
69137	GEAR	72548		NOTE 201, S.I. 1084
69153	COVER	69183		S.I. 1164
69154	BODY	76354		NOTE 201, S.I. 1164, S.I.1230
69158	GEAR ASSY.	72231	ALL	NOTE 201
69161	SHAFTGEAR ASSY.	75924	ALL	NOTE 201
69163	CRANKCASE ASSY.	69816	ALL	
69167	BEARING	69373	ALL	
69183	COVER ASSY.	76354		NOTE 201, S.I. 1164
69189	BASE ASSY.	N.L.A.		
69230	CRANKCASE ASSY.	69384		NOTE 201, S.B. 213
69236	PISTON	73976 & 71533		NOTE 49, NOTE 200
69240	SUMP ASSY.	N.L.A.		
69241	CARBURETOR	69294	ALL	
69242	CYLINDER ASSY.	71858	ALL	NOTE 201
69257	CYLINDER ASSY.	69360	ALL	
69259	BRACE	69452, 69951, 60733	ALL	NOTE 201
69267	SLEEVE	72835	ALL	N.L.A.
69270	SHAFT ASSY.	70414		NOTE 50
69271	SHAFT	70415	ALL	
69279	GASKET	71210	ALL	
69284	CRANKCASE ASSY.	71624	ALL	
69291	ADAPTER ASSY.	N.L.A.		
69294	CARBURETOR	N.L.A.		
69315	GEAR ASSY.	73231	ALL	
69321	RING	69401	ALL	
69322	RING	N.L.A.		
69324	KIT	N.L.A.		
69326	CYLINDER ASSY.	69361	ALL	NOTE 201
69328	PINION ROLLER SET	N.L.A.		
69329	RING	69457	ALL	
69334	VALVE	73111	ALL	NOTE 201, NOTE 274
69335	PLUG	LW-12545		NOTE 51
69336	STUD	31C-18	ALL	
69337	PISTON	73196	ALL	
69338	SUPPORT ASSY.	69340	ALL	
69340	SUPPORT ASSY.	68942, 75312		NOTE 52, NOTE 275
69345	SPACER	LW-12272 & LW-12273		NOTE 201, S.I. 1277
69348	ROLLER	70416	ALL	
69349	COUNTERWEIGHT ASSY.	69394	ALL	
69350	CRANKSHAFT ASSY.	69396	ALL	NOTE 201

**SECTION 1  
NUMERICAL PARTS HISTORY SUPERSEDURES**

ORIGINAL PART NO.	NOMENCLATURE	SUPERSEDING PART NO.	USE	REFERENCES
69351	PIPE	N.L.A.		
69358	GUIDE	69693	ALL	NOTE 113
69360	CYLINDER ASSY.	71855, 71774	ALL	NOTE 201, NOTE 273
69361	CYLINDER ASSY.	71173	ALL	NOTE 201, NOTE 274
69363	CYLINDER ASSY.	69388	ALL	NOTE 276, S.B. 213
69364	CYLINDER ASSY.	69389	ALL	NOTE 276, S.B. 213
69370	SUMP ASSY.	72394 (CARBURETOR)	ALL	S.B. 258
69372	BEARING	71637	ALL	
69373	BEARING	18M19388		NOTE 3, NOTE 200, S.I. 1512
69373-M03	BEARING	18M19388-M03	ALL	
69373-M03-P10	BEARING	N.L.A.		
69373-M06	BEARING	18M19388-M06	ALL	
69373-M06-P10	BEARING	N.L.A.		
69373-M10	BEARING	18M19388-M10	ALL	
69373-M10-P10	BEARING	N.L.A.		
69375	TUBE	N.L.A.		
69378	CRANKCASE ASSY.	69816	ALL	
69384	CRANKCASE ASSY.	70376	ALL	
69385	NUT	71133	ALL	
69386	NUT	71134	ALL	
69387	CYLINDER ASSY.	71119	ALL	NOTE 201
69388	CYLINDER ASSY.	71175	ALL	NOTE 274
69389	CYLINDER ASSY.	71172	ALL	NOTE 274
69391	PLATE	69531	ALL	
69393	COUNTERWEIGHT	71904		S.I. 1012
69394	COUNTERWEIGHT	71905		S.I. 1012
69395	WASHER	N.L.A.		S.I. 1012
69396	CRANKSHAFT ASSY.	71789	ALL	
69413	BUSHING	N.L.A.		
69414	HOUSING ASSY.	N.L.A.		
69428	ADAPTER, TACHOMETER	N.L.A.		
69437	CARBURETOR	69475	ALL	
69444	ROCKER ASSY.	LW-18790	ALL	S.B. 477
69451	VALVE ASSY.	75944	ALL	S.I. 1255
69456	PISTON	73196	ALL	
69457	RING	73857		NOTE 53
69459	BOLT	74669	ALL	NOTE 201
69460	NUT	71950	ALL	
69467	ROD ASSY.	N.L.A.		
69468	ROD ASSY.	N.L.A.		
69469	ROD ASSY.	N.L.A.		



**SECTION 1  
NUMERICAL PARTS HISTORY SUPERSEDURES**

ORIGINAL PART NO.	NOMENCLATURE	SUPERSEDING PART NO.	USE	REFERENCES
69470	ROD ASSY.	73412		S.I. 1060
69471	ROD ASSY.	73413		S.I. 1060
69472	ROD ASSY.	73414		S.I. 1060
69475	CARBURETOR	69908	ALL	
69493	CRANKSHAFT ASSY.	75003	ALL	
69496	KIT ASSY.	N.L.A.		
69497	PUMP	73297	ALL	
69500	GAGE ASSY.	72427	ALL	
69501	BEARING	68763	ALL	
69503	CAMSHAFT ASSY.	71304	ALL	
69504	CAMSHAFT ASSY.	71308	ALL	
69506	PUMP	73297	ALL	
69509	CYLINDER ASSY.	71118	ALL	NOTE 201
69523	SEAL	70310	ALL	
69529	BODY	72877	ALL	NOTE 200, NOTE 201, S.I. 1011
69530	SEAT	72058	ALL	
69532	SEAT	73115		NOTE 54
69533	GUIDE	74230	ALL	NOTE 201, NOTE 274, S.I. 1136
69534	VALVE	75068		NOTE 201, NOTE 274, S.I. 1136
69544	RING	69457	ALL	
69545	HOUSING ASSY.	N.L.A.		
69559	SHIELDING ASSY.	72459 & 77095		NOTE 55
69565	SLEEVE	N.L.A.		
69567	COUPLING ASSY.	N.L.A.		
69569	WASHER	N.L.A.		
69571	FILTER ASSY.	71224	ALL	
69572	COVER	71774	ALL	
69573	CRANKCASE ASSY.	69816	ALL	
69578	BAFFLE ASSY.	69948	ALL	NOTE 201
69588	BOLT	69930	ALL	NOTE 201
69590	PISTON	71594	ALL	
69605	SHAFT	75515	ALL	NOTE 201
69606	MAGNETO	71436	ALL	
69607	MAGNETO	71435	ALL	
69620	PLUG	N.L.A.		
69621	PLUG	N.L.A.		
69628	CRANKCASE ASSY.	70403		NOTE 201
69633	CARBURETOR	71546	ALL	
69640	CRANKSHAFT ASSY.	70433	ALL	
69642	BUSHING	72308		S.I. 1145

**SECTION 1  
NUMERICAL PARTS HISTORY SUPERSEDURES**

ORIGINAL PART NO.	NOMENCLATURE	SUPERSEDING PART NO.	USE	REFERENCES
69644	BODY ASSY.	69892	ALL	
69645	JAW-HAND CRANK	N.L.A.		
69650	PIN, PISTON	LW-13444		S.B. 367
69650	PIN, PISTON	LW-14078	ALL	NOTE 514 SI1340, SB240, SI1256
69653	BEARING	69961	ALL	
69654	PUMP ASSY.	69893	ALL	NOTE 201
69657	GASKET	72437	ALL	
69658	PIN-ENGINE TIMING	N.L.A.		
69661	HOUSING ASSY.	N.L.A.		
69663	TUBE	71702 & 72045	ALL	
69664	TUBE	71702 & 73731		
69666	BAFFLE ASSY.	72151	ALL	
69667	BAFFLE ASSY.	69928	ALL	
69668	BAFFLE ASSY.	69948	ALL	
69670	PUMP ASSY.	69891	ALL	
69671	SHAFT	75516	ALL	NOTE 201
69672	BODY ASSY.	69890	ALL	NOTE 113
69676	CRANKCASE ASSY.	69284	ALL	NOTE 113
69680	STUD	66734	ALL	
69684	WASHER	LW-11171		NOTE 201, S.I. 1032
69685	CRANKSHAFT ASSY.	69858	ALL	
69686	CRANKSHAFT ASSY.	69853	ALL	
69689	SUMP ASSY.	N.L.A.		
69691	PIPE	N.L.A.		
69692	PIPE	N.L.A.		
69693	GUIDE	72897		S.I. 1028, S.I. 1136, S.I. 1256, NOTE 201, NOTE 274
69695	CYLINDER ASSY.	71959	ALL	
69697	CAP	MS-13998-3		NOTE 201, NOTE 274, S.I. 1136
69698	SEAT	73115		NOTE 56, NOTE 274
69699	BREATHER	69907		NOTE 57
69703	BRACKET ASSY.	70337		NOTE 58
69705	HOUSING ASSY.	70357		NOTE 59
69706	CARBURETOR	69996	ALL	NOTE 113
69707	CABLE ASSY.	71260	ALL	
69709	CRANKSHAFT ASSY.	69857	ALL	
69710	CRANKSHAFT ASSY.	69855	ALL	
69719	COVER ASSY.	N.L.A.		
69722	STUD	25C-16	ALL	
69723	GASKET	72053	ALL	
69724	STUD	25C-29	ALL	

**SECTION 1  
NUMERICAL PARTS HISTORY SUPERSEDURES**

ORIGINAL PART NO.	NOMENCLATURE	SUPERSEDING PART NO.	USE	REFERENCES
69728	REDUCTION GEAR ASSY.	72879	ALL	NOTE 201
69733	HOUSING ASSY.	69733-S	ALL	
69736	CAGE ASSY.	69876	ALL	NOTE 113
69740	STUD	25C-31	ALL	
69756	SUMP ASSY.	70319	ALL	
69787	HOUSING ASSY.	72500	ALL	
69796	DOWEL	LW-10647		NOTE 60, S.I. 1225, S.I. 1377, S.I. 1432, S.B. 326
69799	BAFFLE ASSY.	69947	ALL	NOTE 201
69812	SHAFT	N.L.A.		
69814	DECAL	N.L.A.		
69815	PLUG	70432	ALL	
69816	CRANKCASE ASSY.	71586	ALL	
69819	CRANKCASE ASSY.	72668		S.B. 273
69822	GEAR	68565 & 72932 & STD 1050	ALL	
69823	STUD	N.L.A.		
69834	CRANKCASE ASSY.	70364	ALL	
69851	CRANKSHAFT ASSY.	70433	ALL	
69853	CRANKSHAFT ASSY.	74994	ALL	
69854	CRANKSHAFT ASSY.	74994	ALL	
69855	CRANKSHAFT ASSY.	74417	ALL	
69857	CRANKSHAFT ASSY.	74419	ALL	
69858	CRANKSHAFT ASSY.	70420	ALL	
69861	DOWEL - OIL TRANSER	N.L.A.		
69867	ADAPTER	N.L.A.		
69874	JAW ASSY.	69645	ALL	
69875	GEAR ASSY.	70412	ALL	
69876	CAGE ASSY.	LW-11181		NOTE 61, S.I.1114
69877	PUMP ASSY.	69891	ALL	
69878	BODY ASSY.	69890	ALL	
69886	CRANKSHAFT ASSY.	70417	ALL	
69890	BODY ASSY.	71766	ALL	
69891	PUMP ASSY.	71765	ALL	
69892	BODY ASSY.	71770	ALL	
69893	PUMP ASSY.	71769	ALL	
69894	PISTON	71542	ALL	
69898	BEARING	LW-12228	ALL	
69907	BREATHER	N.L.A.		
69912	KIT	N.L.A.		
69922	CAP ASSY.	N.L.A.		
69924	EXTENSION	N.L.A.		

**SECTION 1  
NUMERICAL PARTS HISTORY SUPERSEDURES**

ORIGINAL PART NO.	NOMENCLATURE	SUPERSEDING PART NO.	USE	REFERENCES
69930	BOLT	N.L.A.		
69932	CYLINDER ASSY.	71302	ALL	
69937	PUMP ASSY.	71772	ALL	
69938	BODY ASSY.	71771		
69942	STUD	25C-12	ALL	
69943	STUD	25C-11	ALL	
69952	STARTER	76210, 74092	ALL	NOTE 502
69953	STARTER	N.L.A., 72462 (O-340)		NOTE 503
69957	ELBOW ASSY.	71554	ALL	
69961	BEARING	73048	ALL	
69967	GAGE ASSY.	N.L.A.		
69969	GAGE ASSY.	N.L.A.		
69980	CARBURETOR	N.L.A.		
69996	CARBURETOR	71607	ALL	
69997	STUD	68751	ALL	
69999	HOUSING ASSY.	74135	ALL	
70256	BUSHING	73810		
70281	STUD	66734	ALL	
70282	ROD ASSY.	73455	ALL	
70283	ROD ASSY.	73456	ALL	
70284	ROD ASSY.	73457	ALL	
70293	HOUSING ASSY.	70406-S		NOTE 62
70319	SUMP ASSY.	N.L.A.		
70327	IMPELLER & SHAFT ASSY.	71225	ALL	
70337	BRACKET ASSY.	N.L.A.		
70344	CRANKCASE ASSY.	71719	ALL	
70353	CYLINDER ASSY.	71850	ALL	
70366	CARBURETOR	71529	ALL	
70368	COVER ASSY.	69572	ALL	
70381	GAGE ASSY.	72425	ALL	
70385	KIT	N.L.A.		
70390	SHAFT	73014	ALL	
70391	GEAR	73009	ALL	
70392	JAW	70487	ALL	
70403	CRANKCASE ASSY.	76227-S	ALL	
70404	HOUSING ASSY.	70406-S	ALL	
70406	HOUSING ASSY.	70406-S	ALL	
70408	BEARING	74180	ALL	
70410	GAGE ASSY.	72423	ALL	
70412	GEAR ASSY.	N.L.A.		S.B. 319
70413	PLUG	N.L.A.		
70417	CRANKSHAFT ASSY.	75005		S.I. 1113

**SECTION 1  
NUMERICAL PARTS HISTORY SUPERSEDURES**

ORIGINAL PART NO.	NOMENCLATURE	SUPERSEDING PART NO.	USE	REFERENCES
70420	CRANKSHAFT ASSY.	74995	ALL	S.I. 1145
70421	MAGNETO	71437	ALL	
70422	MAGNETO	71438	ALL	
70423	SHIELDING ASSY.	74403	ALL	
70427	GEAR ASSY- GENERATOR COUPLING		N.L.A.	
70425	CABLE ASSY.	73928	ALL	
70432	PLUG	72305 & 72312		S.I. 1180
70433	CRANKSHAFT ASSY.	72469		S.I. 1113
70434	JET	75973		NOTE 64
70440	PLATE	N.L.A.		
70443	TUBE ASSY.	72031	ALL	
70444	PUMP ASSY.	75148	ALL	S.I. 1110
70445	PUMP ASSY.	75148	ALL	S.I. 1110
70454	PLUG	LW-13896	ALL	
70456	BRACKET	77289		NOTE 277, S.I. 1298, S.I. 1408,
70459	CRANKSHAFT ASSY.	72728	ALL	
70463	CRANKSHAFT ASSY.	74418	ALL	
70465	CRANKSHAFT ASSY.	74417	ALL	
70469	SUMP ASSY.	72002	ALL	
70470	STUD	31C-21		NOTE 65
70471	DECAL	N.L.A.		
70482	CONNECTION	78914		NOTE 66, NOTE 201
70489	SUMP ASSY.	71871	ALL	
70490	STARTER	N.L.A.		
70492	CAMSHAFT ASSY.	74167		S.I. 1218
70497	KIT ASSY.	LW-52306	ALL	
70499	SHIELDING ASSY.	N.L.A.		
71008	ELBOW ASSY.	71496	ALL	
71009	CABLE ASSY.	71492	ALL	
71010	ADAPTER ASSY.	75722		NOTE 67
71016	REDUCTION GEAR ASSY.	72875	ALL	
71019	HOUSING ASSY.	72501	ALL	
71020	KIT	N.L.A.		
71026	HOUSING ASSY.	72502	ALL	
71028	CABLE ASSY.	N.L.A.		
71029	SHIELDING ASSY.	N.L.A.		
71047	BRACKET	70456		S.I. 1298, S.I. 1408
71055	HOUSING ASSY.	71864	ALL	
71065	LINE ASSY.	N.L.A.		
71073	CRANKCASE ASSY.	72677	ALL	S.B. 273

**SECTION 1  
NUMERICAL PARTS HISTORY SUPERSEDURES**

ORIGINAL PART NO.	NOMENCLATURE	SUPERSEDING PART NO.	USE	REFERENCES
71075	PUSH ROD	71135	ALL	
71076	PUSH ROD	71136	ALL	
71077	PUSH ROD	71137	ALL	
71083	TUBE	LW-11485	ALL	
71086	NUT	71950	ALL	NOTE 201
71087	BOLT	73172, 74644		NOTE 68, NOTE 201, S.I. 1359
71089	GENERATOR	N.L.A.		
71091	STARTER	72340	ALL	
71092	ROD ASSY.	71093	ALL	NOTE 201
71093	ROD ASSY.	71987-S	ALL	NOTE 201
71098	CARBURETOR- MA4-5 (10-3878)	61C26046		S.I. 1523 ALTERNATES (0-360 SERIES)
71099	CYLINDER ASSY.	71848	ALL	
71104	BAFFLE ASSY.	72152	ALL	NOTE 201
71105	TAPPET, VALVE	15B26091		S.I. 1529B
71118	CYLINDER ASSY.	71840	ALL	
71119	CYLINDER ASSY.	71841	ALL	
71123	BUSHING	N.L.A.		
71126	IGNITION HARNESS	N.L.A.		
71135	ROD ASSY.	73434	ALL	
71136	ROD ASSY.	73435	ALL	
71137	ROD ASSY.	73436	ALL	
71139	CARBURETOR	71684	ALL	
71146	BUSHING	72599		S.I. 1084
71155	WIRE ASSY.	LW-19197	ALL	
71156	INST.-MAG. THERMO.	LW-19230	ALL	
71158	HOUSING ASSY.	N.L.A.		
71163	MAGNETO	74174		NOTE. 69
71172	CYLINDER ASSY.	71858	ALL	
71173	CYLINDER ASSY.	71856	ALL	
71174	CYLINDER ASSY.	71857	ALL	
71175	CYLINDER ASSY.	71859	ALL	
71188	COVER	68795	ALL	
71196	KIT ASSY.	N.L.A.		
71203	TUBE	71702 & 72045	ALL	
71204	TUBE	71702 & 73731	ALL	
71224	FILTER ASSY.	71589		NOTE 201, S.I. 1169
71225	IMP. & SHAFT ASSY.	71749-S		S.I. 1032
71226	SCREW	N.L.A.		
71234	HOUSING ASSY.	71581	ALL	
71249	NUT	N.L.A.		
71253	ADAPTER	N.L.A.		

**SECTION 1  
NUMERICAL PARTS HISTORY SUPERSEDURES**

ORIGINAL PART NO.	NOMENCLATURE	SUPERSEDING PART NO.	USE	REFERENCES
71257	DISC	74335	ALL	
71258	FERRULE	71974	ALL	
71259	SLEEVE	N.L.A.		
71260	CABLE ASSY.	71890	ALL	
71261	CARBURETOR	N.L.A.		
71262	HOUSING ASSY.	N.L.A.		
71265	ROCKER ASSY.	74390		S.I. 1182
71266	ROCKER ASSY.	17F21188		S.I. 1182
71298	MAGNETO	N.L.A.		
71299	MAGNETO	N.L.A.		
71301	CRANKSHAFT ASSY.	75073	ALL	
71302	CYLINDER ASSY.	71852	ALL	
71304	CAMSHAFT ASSY.	77135 or 77202		NOTE 70, NOTE 201, S.I. 1182
71308	CAMSHAFT ASSY.	77134		NOTE 71, S.I. 1182
71314	SHIELDING ASSY.	73371	ALL	
71315	SHIELDING ASSY.	N.L.A.		
71316	WIRE ASSY.	N.L.A.		
71319	HOUSING ASSY.	70315	ALL	
71320	BEARING	69898	ALL	
71324	CRANKSHAFT ASSY.	74966	ALL	
71325	BUSHING	72060-S	ALL	
71326	BUSHING	72061-S	ALL	
71327	BUSHING	72062-S	ALL	
71328	SUPPORT ASSY.	72565	ALL	NOTE 507
71345	RETAINER	71999	ALL	
71348	STARTER	72337	ALL	
71349	RELAY	N.L.A.		S.I. 1154
71350	REGULATOR	N.L.A.		S.I. 1154
71354	PUMP	N.L.A.		
71359	CRANKCASE ASSY.	72676	ALL	
71377	CARBURETOR	70424	ALL	
71381	VALVE	73111	ALL	
71395	SHIELDING ASSY.	N.L.A.		
71396	CABLE ASSY.	74341	ALL	
71397	MAGNETO	LW-51360-37	ALL	
71398	MAGNETO	LW-51360-29	ALL	
71407	SEAT	71894	ALL	NOTE 201
71408	SEAT	72212	ALL	NOTE 201
71431	LOCKWASHER	68118	ALL	
71432	MAGNETO	LW-51360-25	ALL	
71433	MAGNETO	71436	ALL	
71434	MAGNETO	LW-51365-32	ALL	

**SECTION 1  
NUMERICAL PARTS HISTORY SUPERSEDURES**

ORIGINAL PART NO.	NOMENCLATURE	SUPERSEDING PART NO.	USE	REFERENCES
71435	MAGNETO	LW-51365-34	ALL	
71436	MAGNETO	LW-51365-33	ALL	
71437	MAGNETO	LW-52350-22	ALL	
71438	MAGNETO	LW-52350-23	ALL	
71449	SPRING	79051	ALL	
71451	BUSHING	66610	ALL	
71452	STARTER	73270	ALL	
71453	ROD ASSY.	73446	ALL	
71454	ROD ASSY.	73447	ALL	
71455	ROD ASSY.	73448	ALL	
71489	SLEEVE	N.L.A.		
71490	CABLE ASSY.	71891	ALL	
71491	CABLE ASSY.	71885	ALL	
71492	CABLE ASSY.	71886	ALL	
71495	ELBOW ASSY.	71883	ALL	
71496	ELBOW ASSY.	71884	ALL	
71498	MAGNETO	LW-163010-2	ALL	
71522	NOZZLE ASSY.	72216	ALL	
71533	PISTON	71545	ALL	
71541	CRANKSHAFT ASSY.	74968	ALL	
71542	PISTON	71550	ALL	
71545	PISTON	72578		NOTE 200, S.I. 1037
71546	CARBURETOR	71685	ALL	
71550	PISTON	71608	ALL	
71551	GAGE ASSY.	LW-14757	ALL	
71553	PISTON	73620 & 75984		NOTE 72, NOTE 200, NOTE 201, S.I. 1037
71555	RING	72944, LW-13883		NOTE 73, NOTE 200, NOTE 201, S.I. 1037
71556	RING	71939, & 74673		NOTE 74, NOTE 200, NOTE 201, S.I. 1037
71571	KIT RETARD	LW-157208	ALL	
71574	KIT GROUND	LW-157209	ALL	
71578	BAFFLE ASSY.	74718	ALL	
71579	BELT	37B19774-341	ALL	
71581	HOUSING ASSY.	72506	ALL	
71586	CRANKCASE ASSY.	76588	ALL	
71588	CRANKCASE ASSY.	72667	ALL	
71589	FILTER ASSY.	72785	ALL	S.I. 1169
71594	PISTON	73148		NOTE 200, NOTE 201, S.I.1037
71595	VALVE	74541, 69534, LW-19001		NOTE 75, NOTE 201, S.I. 1136
71601	COUPLING	73000	ALL	NOTE: IO-540-AE1A5, O-540-F1B5



**SECTION 1  
NUMERICAL PARTS HISTORY SUPERSEDURES**

ORIGINAL PART NO.	NOMENCLATURE	SUPERSEDING PART NO.	USE	REFERENCES
71607	CARBURETOR	N.L.A.		
71608	PISTON	72249		S.I. 1037
71619	KIT ASSY.	N.L.A.		
71621	CLIP	LW-16266-25-38	ALL	
71624	CRANKCASE ASSY.	75355	ALL	
71630	HOUSING ASSY.	72508	ALL	
71632	CRANKCASE ASSY.	72438		S.B. 273
71637	BEARING	75210	ALL	
71641	CAMSHAFT ASSY.	75191	ALL	NOTE 201
71643	SHAFT ASSY.	76155		NOTE 204, S.I. 1218
71645	SLINGER	N.L.A.		NOTE 204, S.I. 1218
71646	LOCKPLATE	N.L.A.		S.I. 1310
71648	HOUSING ASSY.	75367	ALL	NOTE 201
71651	FITTING	N.L.A.		
71654	CARBURETOR	72740	ALL	
71656	ADAPTER	73627	ALL	
71658	MAGNETO	LW-51365-46	ALL	
71659	MAGNETO	LW-51365-47	ALL	
71661	PUMP	74082	ALL	
71662	HOUSING ASSY.	73007	ALL	NOTE 201
71666	SHAFT	72246	ALL	
71670	SHAFT-GEAR ASSY.	72968	ALL	
71673	GEAR ASSY.	72964	ALL	
71676	HYDRAULIC ADAPTER	27D21249	ALL	
71682	KIT	N.L.A.	ALL	
71684	CARBURETOR	N.L.A.		
71685	CARBURETOR	N.L.A.		
71686	ROD ASSY.	73556	ALL	
71687	ROD ASSY.	73557	ALL	
71688	ROD ASSY.	73558	ALL	
71690	LINE ASSY.	N.L.A.		
71692	BAFFLE ASSY.	72153	ALL	NOTE 201
71693	CYLINDER ASSY.	71884	ALL	
71694	BOLT	N.L.A.		
71695	PLUG	75017	ALL	NOTE 201
71696	CRANKSHAFT ASSY.	75015	ALL	
71697	SUMP ASSY.	72056	ALL	
71700	CRANKSHAFT ASSY.	75016	ALL	
71702	TUBE-ROCKER BOX DRAIN	N.L.A.		
71703	HOSE	73731	ALL	
71704	ADAPTER ASSY.	LW-12674		S.I. 1329

**SECTION 1  
NUMERICAL PARTS HISTORY SUPERSEDURES**

ORIGINAL PART NO.	NOMENCLATURE	SUPERSEDING PART NO.	USE	REFERENCES
71705	CARBURETOR	N.L.A.		
71710	CARBURETOR	LW-10064, 61C22198		NOTE 76 S.I.1523
71710	CARBURETOR	61C26047		EXCEPT NOTE 76
71714	PLUG	76529		S.I.1172
71715	HOUSING ASSY.	N.L.A.		
71719	CRANKCASE ASSY.	75352	ALL	NOTE 201
71725	SUMP ASSY.	74172	ALL	NOTE 201
71731	BODY- TAPPET	73061	ALL	
71744	GENERATOR	N.L.A.		S.I. 1154
71745	REGULATOR	N.L.A.		S.I. 1154
71749-S	IMP. & SHAFT ASSY.	74535-S		S.I. 1032
71755	PIPE	74284	ALL	
71756	PIPE	74286	ALL	
71757	PIPE	74285	ALL	
71758	RETAINER	N.L.A.	ALL	
71760	SEAL	75616	ALL	
71763	BODY- TAPPET	73061		S.I. 1011
71765	PUMP ASSY.	73090	ALL	NOTE 201
71766	BODY ASSY.	73087	ALL	
71769	PUMP ASSY.	73091	ALL	
71770	BODY ASSY.	73086	ALL	NOTE 201
71771	BODY ASSY.	73088	ALL	NOTE 201
71772	PUMP ASSY.	73089	ALL	NOTE 201
71774	COVER	LW-13684	ALL	
71777	BRACKET	72613	ALL	NOTE 201
71778	CYLINDER ASSY.	71970	ALL	
71779	ROD ASSY.	78028	ALL	NOTE 201
71781	CYLINDER ASSY.	71969	ALL	
71783	CYLINDER ASSY.	71968	ALL	
71784	VALVE	72615	ALL	
71787	CABLE ASSY.	68253	ALL	NOTE 200
71788	CABLE ASSY.	N.L.A.	ALL	
71789	CRANKSHAFT ASSY.	75018	ALL	
71791	PLUNGER ASSY.	72876		S.I.1011
71792	PLUG	N.L.A.		
71801	MAGNETO	LW-209350-1	ALL	
71803	GEAR ASSY.	N.L.A.		S.B.319
71811	SLEEVE	LW-12598	ALL	
71817	LOCKPLATE	68288		NOTE 201, S.I. 1210
71818	NUT	68290		NOTE 201, S.I. 1210
71824	CLIP	72261		NOTE 77
71825	GAGE ASSY.	72427	ALL	NOTE 201

**SECTION 1  
NUMERICAL PARTS HISTORY SUPERSEDURES**

ORIGINAL PART NO.	NOMENCLATURE	SUPERSEDING PART NO.	USE	REFERENCES
71828	CYLINDER ASSY.	LW-16701	ALL	NOTE 201
71840	CYLINDER ASSY.	75183	ALL	NOTE 201, NOTE 274
71841	CYLINDER ASSY.	75184	ALL	NOTE 201, NOTE 274
71844	CYLINDER ASSY.	73149	ALL	NOTE 200
71846	CYLINDER ASSY.	73150	ALL	NOTE 201, NOTE 274
71848	CYLINDER ASSY.	73134, 75186		NOTE 78, NOTE 200
71850	CYLINDER ASSY.	72436	ALL	
71854	CYLINDER ASSY.	N.L.A.		
71855	CYLINDER ASSY.	N.L.A.		
71856	CYLINDER ASSY.	72995	ALL	
71857	CYLINDER ASSY.	72994	ALL	NOTE 201
71858	CYLINDER ASSY.	72991	ALL	NOTE 201
71859	CYLINDER ASSY.	72992	ALL	NOTE 201
71865	STARTER	72338	ALL	
71871	SUMP ASSY.	78915	ALL	NOTE 201
71875	WASHER	73245	ALL	
71876	KIT ASSY.	73247	ALL	
71877	KIT ASSY.	73248	ALL	
71879	SEAL	71879-S	ALL	
71880	CARBURETOR	N.L.A.		
71882	CABLE	75958	ALL	
71885	CABLE ASSY.	75846	ALL	NOTE 201
71886	CABLE ASSY.	75847	ALL	NOTE 201
71888	CABLE ASSY.	75855	ALL	NOTE 201
71890	CABLE ASSY.	73928, 75878		NOTE 79, NOTE 201
71891	CABLE ASSY.	73927, 75882		NOTE 80, NOTE 201
71893	CYLINDER ASSY.	73114	ALL	NOTE 201
71894	SEAT	16T19468	ALL	NOTE 201
71895	SEAT	LW-19042	ALL	NOTE 201
71904	COUNTERWEIGHT ASSY.	LW-19225	ALL	S.I. 1012
71905	COUNTERWEIGHT ASSY.	LW-19226	ALL	S.I. 1012
71906	RING	LW-14820	ALL	
71909	CLAMP	LW-18959-150-25	ALL	
71910	CLAMP	LW-18959-175-25	ALL	
71911	CLAMP	LW-18959-175-44, 74410		NOTE 81
71912	CLAMP	N.L.A.		
71913	CLAMP	LW-18959-150-34	ALL	
71914	CABLE ASSY.	68253	ALL	
71920	SCREEN	N.L.A.		
71921	BREATHER ASSY.	73144		NOTE 82
71925	FILTER	78075	ALL	

**SECTION 1  
NUMERICAL PARTS HISTORY SUPERSEDURES**

ORIGINAL PART NO.	NOMENCLATURE	SUPERSEDING PART NO.	USE	REFERENCES
71928	TUBE ASSY.	72255	ALL	
71930	CRANKSHAFT ASSY.	74626, 74886		NOTE 83
71933	PIPE	N.L.A.		
71934	PIPE	N.L.A.		
71937	CARBURETOR	N.L.A.		
71939	RING	74673	ALL	
71940	PISTON	73976-S	ALL	NOTE 201
71945	CRANKCASE ASSY.	76224	ALL	NOTE 201
71949	BEARING	75547, LW-13209		NOTE 84
71950	NUT	74646, 72796		NOTE 85, NOTE 201
71950	NUT	N.L.A.		
71951	HOUSING ASSY.	70406	ALL	
71953	VALVE	73117	ALL	S.I.1037M
71956	CYLINDER ASSY.	72214	ALL	NOTE 113
71958	CRANKCASE ASSY.	72686	ALL	
71959	CYLINDER ASSY.	71893	ALL	NOTE 201
71962	ADAPTER ASSY.	LW-12673		NOTE 201, S.I. 1329
71966	CARBURETOR	N.L.A.		
71968	CYLINDER ASSY.	75185	ALL	NOTE 201, NOTE 274
71969	CYLINDER ASSY.	75188	ALL	NOTE 201, NOTE 274
71970	CYLINDER ASSY.	75362, 74925		NOTE 86, NOTE 274
71971	CRANKCASE ASSY.	72675	ALL	
71975	STARTER	72339	ALL	
71979	REGULATOR	N.L.A.		S.I. 1154
71980	GENERATOR	N.L.A.		S.I. 1154
71988	ROD ASSY.	74502-S	ALL	S.I. 1106
71989	PLUG	72198	ALL	
71993	ROD ASSY.	71995-1	ALL	
71994	ROD ASSY.	71686	ALL	
71995	ROD ASSY.	71687	ALL	
72000	BELT	37B19774-384	ALL	
72004	CABLE ASSY.	73926	ALL	
72007	HOUSING ASSY.	74603	ALL	
72008	SHAFT	N.L.A.		
72009	THROTTLE VALVE	N.L.A.	N.L.A.	
72010	HOUSING ASSY.	74137	ALL	NOTE 201
72012	COVER ASSY.	73093	ALL	NOTE 201
72014	BUSHING	N.L.A.		
72015	STOP-THROTTLE	N.L.A.		
72018	LEVER-THROTTLE	N.L.A.		
72019	SCREW	STD-1896	ALL	
72020	PUMP	72372	ALL	NOTE 201

**SECTION 1  
NUMERICAL PARTS HISTORY SUPERSEDURES**

ORIGINAL PART NO.	NOMENCLATURE	SUPERSEDING PART NO.	USE	REFERENCES
72021	NOZZLE ASSY.	N.L.A.		
72023	SOLENOID ASSY.	72129	ALL	
72024	CRANKSHAFT ASSY.	72727	ALL	NOTE 201
72025	PUMP ASSY.	72020	ALL	
72036	CLAMP	LW-16266-10-75	ALL	
72037	CLIP	LW-16266-10-38	ALL	
72038	MAGNETO	LW-163050-1	ALL	
72041	PLUG	72842	ALL	
72043	GAGE ASSY.	LW-14756	ALL	
72046	OIL FILTER	71925	ALL	
72049	CRANKSHAFT ASSY.	74779, 75067		NOTE 87, S.I. 1113, S.B.300
72050	KEY	MS13997-3		NOTE 88, S.I. 1136
72051	EXTENSION	74187, 75737		NOTE 89
72056	SUMP ASSY.	LW-13901	ALL	
72059	GASKET	74068		NOTE 90
72060	BUSHING	72060-S	ALL	S.I. 1098
72061	BUSHING	72061-S	ALL	S.I. 1098
72062	BUSHING	72062-S	ALL	S.I. 1098
72063	BUSHING	72063-S		S.B. 253, S.I. 1098
72065	BUSHING	72065-S	ALL	S.B. 253
72066	BUSHING	72066-S	ALL	S.I. 1098
72067	BUSHING	72067-S	ALL	S.B. 253, S.I. 1098
72068	BUSHING	72068-S	ALL	S.B. 253, S.I. 1098
72070	FILTER ASSY.	71589 or 72785		S.I. 1169
72071	BUSHING	72074	ALL	
72072	CRANKSHAFT ASSY.	72725	ALL	
72073	CRANKSHAFT ASSY.	72646	ALL	
72074	BUSHING	72074-S	ALL	
72077	REGULATOR	N.L.A.		S.I. 1154
72095	GEAR ASSY.	N.L.A.		
72108	CAMSHAFT ASSY.	74740	ALL	
72112	TUBE ASSY.	N.L.A.		
72114	CYLINDER ASSY.	LW-12430	ALL	
72117	ROCKER ASSY.	LW-18790	ALL	
72119	GASKET	06B21509	ALL	
72122	GEAR ASSY.	N.L.A.		
72123	GEAR ASSY.	N.L.A.		
72127	GEAR ASSY.	72879	ALL	NOTE 201
72129	SOLENOID ASSY.	72617	ALL	
72131	TEE ASSY.	N.L.A.		
72132	BRACKET	72614	ALL	
72137	CRANKCASE ASSY.	72867	ALL	S.B. 273

**SECTION 1  
NUMERICAL PARTS HISTORY SUPERSEDURES**

ORIGINAL PART NO.	NOMENCLATURE	SUPERSEDING PART NO.	USE	REFERENCES
72140	ADAPTER ASSY.	N.L.A.		
72141	SOLENOID ASSY.	72616	ALL	
72142	HOUSING & VALVE ASSY.	74604	ALL	
72143	HOUSING ASSY.	74603	ALL	
72145	TEE	72387	ALL	
72146	GEAR ASSY.	72875	ALL	NOTE 201
72147	TUBE ASSY.	N.L.A.		
72155	BUSHING	72155-S	ALL	
72156	BUSHING	72156-S	ALL	
72157	BUSHING	N.L.A.		
72161	CABLE	N.L.A.		
72162	CLIP	LW-12199	ALL	
72165	BUSHING	72164	ALL	NOTE 91
72178	CLIP	MS21919-G7	ALL	
72180	CLAMP	LW-11273	ALL	
72182	RING	74382		NOTE 92
72186	VALVE-AIR THROTTLE	N.L.A.		
72194	COLLAR	N.L.A.		
72195	NUT	N.L.A.		
72196	ELBOW ASSY.	N.L.A.		
72199	CABLE ASSY.	75864	ALL	
72201	GROMMET	LW-16244	ALL	
72203	NUT	N.L.A.		
72205	REGULATOR	N.L.A.		S.I. 1154
72206	KIT ASSY.	N.L.A.		
72207	KIT ASSY.	N.L.A.		
72208	KIT ASSY.	N.L.A.		
72212	SEAT	71895, LW-12688		S.I. 1262, S.I. 1302
72214	CYLINDER ASSY.	72636	ALL	NOTE 201
72216	NOZZLE ASSY.	73772	ALL	
72217	BEARING	75547, LW-13212		NOTE 93, S.B. 371, S.B. 351
72218	BEARING	LW-13521	ALL	
72220	GASKET	74065		NOTE 94
72221	BUSHING	N.L.A.		
72222	BUSHING	N.L.A.		
72225	CRANKSHAFT ASSY.	75020	ALL	
72227	CYLINDER ASSY.	74282	ALL	NOTE 200
72229	HOUSING ASSY.	N.L.A.		
72233	SHAFTGEAR ASSY.	N.L.A.		
72235	GAGE ASSY.	72950	ALL	

**SECTION 1  
NUMERICAL PARTS HISTORY SUPERSEDURES**

ORIGINAL PART NO.	NOMENCLATURE	SUPERSEDING PART NO.	USE	REFERENCES
72240	CRANKCASE ASSY.	73959	ALL	
72241	PLATE	N.L.A.		
72243	BRACKET	72244		S.I. 1298
72247	SHAFTGEAR ASSY.	72972	ALL	
72249	PISTON	73947	ALL	NOTE 201
72250	SPRING	N.L.A.		
72258	CLAMP	73020	ALL	
72259	CABLE ASSY.	75859	ALL	
72260	CLIP	N.L.A.		
72262	SPRING	N.L.A.		
72263	TERMINAL	N.L.A.		
72266	WASHER	N.L.A.		
72267	CLIP	N.L.A.		
72268	BRACKET	N.L.A.		
72269	CLIP	N.L.A.		
72270	BELT	37B19774-374	ALL	
72273	WASHER	N.L.A.		
72279	STARTER	N.L.A.		
72281	SCREW	N.L.A.		
72282	GEAR	75124	ALL	
72284	RING	67722	ALL	
72287	SUPPORT ASSY.	75221	ALL	NOTE 201
72287	SUPPORT ASSY.	N.L.A.	ALL	
72290	HOSE ASSY.	N.L.A.		
72291	REGULATOR	N.L.A.		S.I. 1154
72292	MANIFOLD ASSY.	75284	ALL	
72295	CASE ASSY.	72512	ALL	NOTE 201
72300	GAGE ASSY.	LW-14755	ALL	
72303	GAGE ASSY.	72892	ALL	
72305	PLUG	72470	ALL	
72306	BRACKET	76790	ALL	NOTE 508, S.I. 1408
72307	BRACKET	72306	ALL	
72308	BUSHING	72536		NOTE 95
72311	REGULATOR	N.L.A.		S.I. 1154
72312	RING	72471		NOTE 96
72321	STRUT	N.L.A.		
72324	PLUG	N.L.A.		
72329	GAGE ASSY.	72948	ALL	
72337	STARTER	72461	ALL	
72338	STARTER	73271	ALL	
72339	STARTER	73272	ALL	
72340	STARTER	72460	ALL	

**SECTION 1  
NUMERICAL PARTS HISTORY SUPERSEDURES**

ORIGINAL PART NO.	NOMENCLATURE	SUPERSEDING PART NO.	USE	REFERENCES
72345	HOUSING ASSY.	74833	ALL	
72348	GEAR	13S19757	ALL	S.B. 475
72353	LOCKPLATE	N.L.A.		
72355	PIPE	N.L.A.		
72356	PIPE	N.L.A.		
72357	PIPE	N.L.A.		
72358	PIPE	N.L.A.		
72362	SUMP ASSY.	77965		NOTE 99
72370	GAGE ASSY.	72849	ALL	
72372	PUMP ASSY.	73229	ALL	
72373	TUBE	75767	ALL	
72375	CABLE ASSY.	75858	ALL	
72376	ELBOW	73944		NOTE 100
72384	SHAFT	N.L.A.		
72386	CARBURETOR	73257	ALL	
72387	HOSE ASSY.	76517, LW-13174-4-120		NOTE 101, S.I. 1274
72388	HOSE ASSY.	LW-13174-4-044	ALL	S.I. 1274
72390	ELBOW	O2A21380		NOTE 102, S.B. 494, S.B.497
72390	ELBOW	N.L.A.		
72394	CARBURETOR	78728		NOTE 103
72394	CARBURETOR	61B26211		EXCEPT NOTE 103
72396	MANIFOLD ASSY.	73732	ALL	
72399	PLUG	N.L.A.		
72406	ADAPTER ASSY.	N.L.A.		
72407	CARBURETOR	N.L.A.		
72412	COVER	20414		NOTE 104
72415	BEARING	73048 or 73049		S.I. 1020
72417	CLAMP	STD-1269	ALL	
72418	GAGE ASSY.	72847	ALL	
72420	HOSE ASSY.	LW-13173-3-052	ALL	S.I. 1274
72421	GAGE ASSY.	72851	ALL	
72423	GAGE ASSY.	72855	ALL	
72425	GAGE ASSY.	72857	ALL	
72427	GAGE ASSY.	72853	ALL	
72434	PLUG	77856		NOTE 105
72435	CYLINDER ASSY.	77601	ALL	
72436	CYLINDER ASSY.	72435	ALL	
72438	CRANKCASE ASSY.	72685	ALL	S.B. 273
72443	CRANKCASE ASSY.	73953	ALL	
72444	CRANKCASE ASSY.	73953	ALL	
72446	RING	74241	ALL	S.I. 1037
72447	PLUG	72845	ALL	



**SECTION 1  
NUMERICAL PARTS HISTORY SUPERSEDURES**

ORIGINAL PART NO.	NOMENCLATURE	SUPERSEDING PART NO.	USE	REFERENCES
72451	SLEEVE	74337	ALL	
72452	KIT ASSY.	N.L.A.		
72453	CLAMP	LW-18959-175-34	ALL	
72454	RING	73857, 73998		NOTE 106, NOTE 201
72455	CONNECTOR	73119	ALL	
72457	CRANKCASE ASSY.	76590	ALL	
72458	CYLINDER ASSY.	75393	ALL	
72459	CABLE ASSY.	77018, 75175		NOTE 107
72460	STARTER	72465	ALL	
72461	STARTER	72464	ALL	
72462	STARTER	76212	ALL	
72463	GENERATOR	N.L.A.		S.I. 1154
72464	STARTER	72462		NOTE 201
72465	STARTER	74092		NOTE 201
72467	HOSE ASSY.	74222	ALL	S.I. 1274
72469	CRANKSHAFT ASSY.	LW-17436	ALL	S.I. 1113
72474	HOSE ASSY.	LW-13175-4-172	ALL	S.I. 1274
72484	FERRULE	N.L.A.		
72485	FERRULE	N.L.A.		
72486	GASKET	75668	ALL	NOTE 113
72492	GEAR ASSY.	N.L.A.		
72493	ADAPTER ASSY.	75677	ALL	NOTE 201
72494	GEAR ASSY.	LW-18865	ALL	
72495	GEAR	73683	ALL	
72496	HOUSING ASSY.	21A23000-01	ALL	
72498	HOUSING ASSY.	76103		NOTE 204, S.I. 1218
72500	HOUSING ASSY.	76105		NOTE 204, S.I. 1218
72501	HOUSING ASSY.	76104		NOTE 204, S.I. 1218
72502	HOUSING ASSY.	76106		NOTE 204, S.I. 1218
72503	HOUSING ASSY.	76107		NOTE 204, S.I. 1218
72504	HOUSING ASSY.	76108		NOTE 204, S.I. 1218
72505	HOUSING ASSY.	76109		NOTE 204, S.I. 1218
72506	HOUSING ASSY.	76110		NOTE 204, S.I. 1218
72508	HOUSING ASSY.	76136		NOTE 204, S.I. 1218
72510	HOUSING ASSY.	73972	ALL	
72511	HOUSING ASSY.	73198	ALL	
72521	COUPLING	73013	ALL	
72522	MAGNETO	73038	ALL	
72523	MAGNETO	73039	ALL	
72524	MAGNETO	LW-163045-3	ALL	
72525	MAGNETO	73360	ALL	
72534	COUNTERWEIGHT ASSY.	LW-19213	ALL	

**SECTION 1  
NUMERICAL PARTS HISTORY SUPERSEDURES**

ORIGINAL PART NO.	NOMENCLATURE	SUPERSEDING PART NO.	USE	REFERENCES
72539	ADAPTER ASSY.	74421	ALL	
72543	GEAR ASSY.	74101	ALL	NOTE 201
72548	GEAR	LW11170		S.I. 1084
72550	GEAR ASSY.	73268	ALL	
72553	COVER ASSY.	73095	ALL	NOTE 201
72555	BREATHER	N.L.A.		
72557	BUSHING	N.L.A.		
72559	HOUSING ASSY.	70404	ALL	
72565	SUPPORT ASSY.	LW-16064	ALL	
72567	STARTER	73269	ALL	
72568	CYLINDER ASSY.	74247	ALL	NOTE 201
72570	BRACKET	N.L.A.		
72571	BAFFLE	78014	ALL	
72575	CRANKCASE ASSY.	74958	ALL	NOTE 201, S.I. 1196
72578	PISTON	73976	ALL	NOTE 200
72580	GEAR ASSY.	LW-11184		NOTE 278
72581	PLATE	LW-11182	ALL	NOTE 113
72582	SHAFT	LW-11540	ALL	
72584	CAP ASSY.	N.L.A.		
72588	SHAFT ASSY.	N.L.A.		
72593	SHAFT	N.L.A.		
72597	HOUSING ASSY.	74104	ALL	NOTE 201
72599	BUSHING	73690	ALL	
72600	GEAR	LW-18862	ALL	
72601	PUMP ASSY.	73092	ALL	
72602	HOUSING & VALVE ASSY.	74610	ALL	
72603	HOUSING ASSY.	74609	ALL	
72612	VALVE	73129	ALL	S.I. 1037M
72623	CRANKCASE ASSY.	76594	ALL	
72625	VALVE	73938	ALL	
72628	ROCKER ASSY.	LW-12702		S.I. 1268
72630	ROCKER ASSY.	17F19710	ALL	S.I. 1182, S.I. 1468
72633	CYLINDER ASSY.	73951	ALL	
72636	CYLINDER ASSY.	74158	ALL	NOTE 200, NOTE 274
72646	CRANKSHAFT ASSY.	74579	ALL	
72667	CRANKCASE ASSY.	76589	ALL	
72668	CRANKCASE ASSY.	72667	ALL	
72675	CRANKCASE ASSY.	76593	ALL	NOTE 201
72676	CRANKCASE ASSY.	76592, 74542		NOTE 108
72677	CRANKCASE ASSY.	76591	ALL	
72685	CRANKCASE ASSY.	73953	ALL	
72686	CRANKCASE ASSY.	73956	ALL	

**SECTION 1  
NUMERICAL PARTS HISTORY SUPERSEDURES**

ORIGINAL PART NO.	NOMENCLATURE	SUPERSEDING PART NO.	USE	REFERENCES
72695	GENERATOR	N.L.A.		S.I. 1154
72696	REGULATOR	N.L.A.		S.I. 1154
72702	TUBE ASSY.	75149		NOTE 109
72703	TUBE ASSY.	02P21003		NOTE 110
72704	TUBE ASSY.	73027	ALL	
72705	BUSHING	LW-12588	ALL	
72716	ROD ASSY.	73546	ALL	
72717	ROD ASSY.	73547	ALL	
72718	ROD ASSY.	73548	ALL	
72722	TUBE & PLATE ASSY.	74921	ALL	
72723	ADAPTER ASSY.	LW-12677		NOTE 201, S.I. 1329
72724	GASKET	LW-14199	ALL	
72725	CRANKSHAFT ASSY.	74578	ALL	S.I. 1113
72727	CRANKSHAFT ASSY.	74582	ALL	S.I. 1113
72728	CRANKSHAFT ASSY.	74581	ALL	S.I. 1113
72730	CRANKCASE ASSY.	74960	ALL	
72733	CYLINDER ASSY.	75054, 76483		NOTE 111
72735	HOUSING ASSY.	LW-16083	ALL	S.I. 1394
72737	GEAR ACCESSORY DRIVE	N.L.A.		
72738	MAGNETO	LW-209350-2	ALL	
72739	MAGNETO	LW-209310-1	ALL	
72740	CARBURETOR	74121, LW-10196		NOTE 112,
72740	CARBURETOR	61C26133		S.I. 1523 ALTERNATE
72742	STUD	N.L.A.		
72743	DOWEL	N.L.A.		
72745	SEAL	LW-16945	ALL	
72748	BUSHING	N.L.A.		
72752	CLAMP	73858	ALL	NOTE 201
72753	PIPE	LW-12191	ALL	
72754	PIPE	LW-12192	ALL	
72755	PIPE	LW-12193	ALL	
72756	PIPE	LW-12194	ALL	
72758	COVER	72242	ALL	NOTE 201
72759	GASKET	71450	ALL	NOTE 201
72760	PISTON	72954	ALL	
72763	LEAD ASSY.	73190	ALL	
72764	LEAD ASSY.	73674	ALL	
72765	LEAD ASSY.	73673	ALL	
72771	ROD ASSY.	72716	ALL	
72772	ROD ASSY.	72717	ALL	
72773	ROD ASSY.	72718	ALL	
72775	INSERT	N.L.A.		

**SECTION 1  
NUMERICAL PARTS HISTORY SUPERSEDURES**

ORIGINAL PART NO.	NOMENCLATURE	SUPERSEDING PART NO.	USE	REFERENCES
72777	GUIDE	74506	ALL	
72778	GUIDE	74660	ALL	
72780	BUSHING	N.L.A.		
72781	SCREW	STD 1895	ALL	NOTE 201
72782	GEAR ASSY.	74900	ALL	NOTE 201
72783	COIL ASSY.	73860	ALL	NOTE 113
72784	IGNITION HARNESS	LW-320046-10	ALL	
72785	FILTER ASSY.	LW-12522	ALL	
72786	HOSE	LW-13174-4-160	ALL	S.I. 1274
72795	BOLT CONN. ROD	73172	ALL	S.I. 1106
72796	NUT CONN. ROD	74646	ALL	S.I. 1106
72797	ROLLER	76788	ALL	NOTE 114
72798	SCREW	N.L.A.		
72799	BUSHING	N.L.A.		
72801	COUNTERWEIGHT ASSY.	LW-19227	ALL	
72803	CRANKSHAFT ASSY.	73045	ALL	
72809	WASHER	N.L.A.		
72812	GASKET	LW-13306		
72814	BRACKET	73021	ALL	
72815	BRACKET	73136	ALL	NOTE 279
72819	SPACER	N.L.A.		
72828	SHIELDING ASSY.	76993	ALL	
72835	SLEEVE	69267	ALL	N.L.A.
72836	NOZZLE ASSY.	74676	ALL	NOTE 201
72841	NOZZLE ASSY.	74143	ALL	
72847	GAGE ASSY.	LW-14780	ALL	
72849	GAGE ASSY.	LW-14779	ALL	
72851	GAGE ASSY.	N.L.A.		
72853	GAGE ASSY.	LW-14778	ALL	
72855	GAGE ASSY.	LW-14777	ALL	
72857	GAGE ASSY.	LW-14776	ALL	
72859	GAGE ASSY.	LW-14775	ALL	
72861	HOSE ASSY.	N.L.A.		
72862	HOSE ASSY.	73258	ALL	
72863	HOSE ASSY.	75203	ALL	
72864	SHROUD	N.L.A.		
72865	SHROUD	N.L.A.		
72867	CRANKCASE ASSY.	72623	ALL	NOTE 201
72871	BELT	72000	ALL	
72874	SEAT	N.L.A.		
72876	PLUNGER ASSY.	76289, 73062	ALL	NOTE 115, S.I. 1011

**SECTION 1  
NUMERICAL PARTS HISTORY SUPERSEDURES**

ORIGINAL PART NO.	NOMENCLATURE	SUPERSEDING PART NO.	USE	REFERENCES
72877	BODY	73061		S.I. 1011
72877	BODY	15B26064		S.I.1529
72880	SUPPORT ASSY.	72899	ALL	
72889	CRANKSHAFT ASSY.	74979	ALL	
72890	CRANKSHAFT ASSY.	74980	ALL	NOTE 201
72892	GAGE ASSY.	72859	ALL	
72896	PUMP ASSY.	74584	ALL	
72897	GUIDE	75838		S.I. 1430
72897	GUIDE	73979, LW-11957		NOTE 116, S.I.1028, S.I.1256, S.I.1430
72899	SUPPORT ASSY.	77236	ALL	
72900	CRANKSHAFT ASSY.	74981	ALL	
72901	CRANKSHAFT ASSY.	74981	ALL	
72902	CRANKSHAFT ASSY.	74982	ALL	NOTE 201
72918	BAFFLE	LW-18106	ALL	
72920	CARBURETOR	N.L.A.		
72923	PIPE	LW-12194	ALL	NOTE 201
72932	SHAFT	N.L.A.		
72933	KIT-STARTER	N.L.A.		
72934	TURBOCHARGER	77692	ALL	
72936	CARBURETOR	73899	ALL	
72942	STABILIZER	75151	ALL	
72943	STABILIZER	75152	ALL	
72944	RING	74984	ALL	NOTE 200
72944	RING	N.L.A.		
72948	GAGE ASSY.	N.L.A.		
72950	GAGE ASSY.	N.L.A.		
72951	CRANKCASE ASSY.	73959	ALL	
72953	CRANKSHAFT ASSY.	73170	ALL	NOTE 201
72954	PISTON	73023	ALL	NOTE 200
72958	BAFFLE	LW-13231, LW-13383		S.I. 1279
72965	ROLLER	LW-11558		NOTE 117
72967	PISTON	74530	ALL	
72968	SHAFTGEAR ASSY.	N.L.A.		NOTE 200
72982	RING	74712		NOTE 118
72984	GAGE ASSY.	73120	ALL	
72986	EXTENSION	75761	ALL	
72991	CYLINDER ASSY.	75397		
72992	CYLINDER ASSY.	75929	ALL	NOTE 201
72994	CYLINDER ASSY.	75372	ALL	NOTE 200
72995	CYLINDER ASSY.	75926	ALL	NOTE 201
73000	COUPLING	73013		NOTE 132
73007	HOUSING ASSY.	73015	ALL	

**SECTION 1  
NUMERICAL PARTS HISTORY SUPERSEDURES**

ORIGINAL PART NO.	NOMENCLATURE	SUPERSEDING PART NO.	USE	REFERENCES
73009	GEAR AND RETAINER ASSY.	74830	ALL	
73010	SHAFT	N.L.A.		
73011	BUSHING	N.L.A.		
73014	SHAFT	LW-10575	ALL	
73015	HOUSING ASSY.	73747		NOTE 119
73018	HOUSING ASSY.	76137		NOTE 204, S.I. 1218
73020	CLAMP	AN735-26	ALL	
73023	PISTON	73264	ALL	NOTE 200
73025	ADAPTER ASSY.	74128	ALL	
73029	NOZZLE ASSY.	73758	ALL	
73030	GUIDE	LW-11957	ALL	S.I. 1136, S.I. 1256
73034	CLIP	LW-16266-25-38	ALL	
73038	MAGNETO	LW-163050-9	ALL	
73039	MAGNETO	73669	ALL	
73041	MAGNETO	N.L.A.		
73045	CRANKSHAFT ASSY.	73997	ALL	
73046	CRANKSHAFT ASSY.	73996	ALL	
73048	BEARING	77034	ALL	
73049	BEARING	LW-10124	ALL	
73050	CLIP	LW-16266-25-75	ALL	
73052	SEAL	N.L.A.		
73053	PIPE	69691	ALL	
73054	PIPE	69690	ALL	
73055	PIPE	69692	ALL	
73058	SUMP ASSY.	N.L.A.		
73061	BODY	15B21318	ALL	S.I. 1011 TO: S.I.1529
73062	PLUNGER ASSY.	76290, 72876		NOTE 188
73063	SLEEVE	N.L.A.		S.I. 1172
73068	BRACKET	N.L.A.		
73069	CAMSHAFT ASSY.	71304	ALL	
73071	SLEEVE	N.L.A.		
73072	ROD	73316	ALL	NOTE 201
73082	ADAPTER ASSY.	75676	ALL	
73087	BODY ASSY.	51A19482		NOTE 120
73088	BODY ASSY.	N.L.A.		
73092	PUMP ASSY.	LW-18863	ALL	
73095	COVER ASSY.	74202	ALL	NOTE 201
73096	JOINT	74063	ALL	NOTE 201
73097	GEAR	68639		S.I. 1016
73106	HARNES ASSY.	73678	ALL	
73107	JOINT	74062	ALL	NOTE 201
73110	MAGNETO	73360	ALL	

**SECTION 1  
NUMERICAL PARTS HISTORY SUPERSEDURES**

ORIGINAL PART NO.	NOMENCLATURE	SUPERSEDING PART NO.	USE	REFERENCES
73111	VALVE	LW-16740	ALL	NOTE 201, S.I. 1430, 1037
73112	SEAT	LW-13322	ALL	NOTE 201
73114	CYLINDER ASSY.	74271, 74446		NOTE 121
73115	SEAT	LW-10076	ALL	NOTE 201
73116	MAGNETO	72524	ALL	
73117	VALVE	73129		S.I. 1262, S.I. 1280, S.I. 1302
73117	VALVE	17A23946	ALL	S.I. 1037M; DEplete STOCK
73118	FILTER	73874	ALL	
73120	GAGE ASSY.	LW-14774	ALL	
73129	VALVE	LW-13622	ALL	S.I. 1262, S.I. 1280, S.I. 1302
73129	VALVE	17A23947	ALL	S.I. 1037M
73132	CARBURETOR	N.L.A.		
73134	CYLINDER ASSY.	75363, 74924		S.I. 1136
73143	ELBOW	74200		NOTE 122
73147	RING	69457	ALL	
73148	PISTON	72967	ALL	NOTE 200, NOTE 201
73149	CYLINDER ASSY.	75361	ALL	NOTE 201
73150	CYLINDER ASSY.	75187	ALL	NOTE 201
73151	HOSE ASSY.	LW-13181-6-380	ALL	S.I. 1274
73156	CYLINDER ASSY.	74924	ALL	NOTE 201
73158	SHAFTGEAR ASSY.	N.L.A.		
73159	HOUSING ASSY.	76138	ALL	NOTE 204, S.I. 1218
73160	SPACER	LW-10799	ALL	
73162	SUMP ASSY.	LW-10826	ALL	NOTE 201
73163	PUMP ASSY.	N.L.A.		
73164	THROTTLE BODY ASSY.	N.L.A.		
73169	HOSE ASSY.	LW-13175-4-147	ALL	S.I. 1274
73170	CRANKSHAFT ASSY.	74583	ALL	NOTE 201
73172	BOLT	74645	ALL	NOTE 201
73190	LEAD ASSY.	73672	ALL	
73195	SHROUD	N.L.A.		
73196	PISTON	74059	ALL	
73198	HOUSING ASSY.	76141		S.I. 1218
73206	HOUSING ASSY.	21A23000-01	ALL	
73211	CRANKCASE ASSY.	78214	ALL	NOTE 201
73213	CLAMP	AN735-32	ALL	
73214	CLAMP	AN735-36	ALL	
73217	BRACKET	N.L.A.		
73220	BRACKET	N.L.A.		

**SECTION 1  
NUMERICAL PARTS HISTORY SUPERSEDURES**

ORIGINAL PART NO.	NOMENCLATURE	SUPERSEDING PART NO.	USE	REFERENCES
73221	FUEL INJECTOR	LW-12210	ALL	
73223	HOSE ASSY.	LW-13181-6-240	ALL	S.I. 1274
73224	TUBE ASSY.	LW-12098-2-200	ALL	
73225	TUBE ASSY.	75091	ALL	
73226	TUBE ASSY.	LW-12098-1-160	ALL	
73227	CRANKSHAFT ASSY.	73755	ALL	NOTE 201
73229	FUEL INJECTOR	N.L.A.		
73231	GEAR ASSY.	28A21731	ALL	
73234	HOUSING ASSY.	76140		NOTE 204, S.I. 1218
73236	CYLINDER ASSY.	73949	ALL	NOTE 201
73237	TUBE ASSY.	LW-12098-1-180	ALL	
73238	HOSE ASSY.	LW-13175-4-480	ALL	S.I. 1274
73240	CABLE ASSY.	75848	ALL	
73243	CYLINDER ASSY.	71828	ALL	
73245	EYELET	N.L.A.		
73246	KIT ASSY.	N.L.A.		
73247	KIT ASSY.	N.L.A.		
73248	KIT ASSY.	74734		NOTE 123
73253	HOSE ASSY.	77546		NOTE 124
73254	HOSE ASSY.	N.L.A.		
73258	HOSE ASSY.	LW-12784-4-183	ALL	S.I. 1274
73259	HOUSING ASSY.	21A23000	ALL	
73264	PISTON	75617	ALL	NOTE 200, NOTE 201
73269	STARTER	74092	ALL	
73270	STARTER	72462	ALL	
73271	STARTER	72465	ALL	
73272	STARTER	72464	ALL	
73274	HOUSING ASSY.	21E21547-01	ALL	
73275	BELT	37B19774-350	ALL	
73276	LINK	75380	ALL	
73280	BODY	73877	ALL	
73282	GEAR ASSY.	N.L.A.		
73287	ROLLER	N.L.A.		
73289	SCREEN ASSY.	N.L.A.		
73293	BUSHING	N.L.A.		
73294	SHAFTGEAR ASSY.	LW-10805	ALL	
73296	PLUG	N.L.A.		
73297	FUEL PUMP	74060	ALL	S.I. 1110
73301	GEAR ASSY.	N.L.A.		
73303	ADAPTER ASSY.	N.L.A.		
73313	MAGNETO	75554		NOTE 125, NOTE 201
73315	GASKET	N.L.A.		S.I. 1122



**SECTION 1  
NUMERICAL PARTS HISTORY SUPERSEDURES**

ORIGINAL PART NO.	NOMENCLATURE	SUPERSEDING PART NO.	USE	REFERENCES
73316	ROD	N.L.A.		
73319	HOSE ASSY.	LW-12798-4-074	ALL	S.I. 1274
73320	HOSE ASSY.	LW-12799-6-110	ALL	S.I. 1274
73321	HOSE ASSY.	LW-12799-6-144	ALL	S.I. 1274
73323	HOSE ASSY.	LW-12799-6-150	ALL	S.I. 1274
73324	PIPE	61363	ALL	
73325	ELBOW	N.L.A.		
73326	PIPE	61364	ALL	
73329	CABLE & PLATE ASSY.	73727	ALL	
73330	SLEEVE	N.L.A.		
73333	CRANKCASE ASSY.	71945	ALL	
73336	CRANKSHAFT ASSY.	74987	ALL	
73337	CRANKSHAFT ASSY.	74988	ALL	
73339	CABLE ASSY.	75175	ALL	
73340	REGULATOR	N.L.A.		S.I. 1154
73343	BAFFLE	N.L.A.		
73346	FLANGE	74360		NOTE 126
73348	BOLT	76932	ALL	
73355	FUEL INJECTOR	73967	ALL	
73356	ROD	74266	ALL	NOTE 201
73357	CLIP	N.L.A.		S.B. 378, S.B. 393
73358	CLAMP	N.L.A.		S.B.378
73360	MAGNETO	LW-163005-2	ALL	
73361	SUPPORT ASSY.	76930, LW-14043		NOTE 127, NOTE 201
73363	MANIFOLD ASSY.	73239	ALL	
73364	FUEL INJECTOR	73221	ALL	
73365	TUBE ASSY.	N.L.A.		
73366	STARTER	74093	ALL	
73367	COVER	N.L.A.		
73368	GASKET	N.L.A.		
73369	FUEL PUMP	73297	ALL	
73370	CABLE ASSY.	75365, 76995		NOTE 128
73371	CABLE ASSY.	75365, 76995		NOTE 128
73372	PIPE	61365	ALL	
73373	CARBURETOR	72740	ALL	
73375	COVER ASSY.	73917	ALL	
73377	CHECK VALVE ASSY.	76738		NOTE 129
73379	LEAD ASSY.	N.L.A.		
73381	CARBURETOR	N.L.A.		
73387	TUBE ASSY.	LW-13229		NOTE 130
73389	CLAMP	N.L.A.		
73392	CARBURETOR	N.L.A.		

**SECTION 1  
NUMERICAL PARTS HISTORY SUPERSEDURES**

ORIGINAL PART NO.	NOMENCLATURE	SUPERSEDING PART NO.	USE	REFERENCES
73393	NOZZLE	74215	ALL	NOTE 201
73411	ROD ASSY.	15F19957-11	ALL	
73412	ROD ASSY.	15F19957-12	ALL	
73413	ROD ASSY.	15F19957-13	ALL	
73414	ROD ASSY.	15F19957-14	ALL	
73415	ROD ASSY.	15F19957-15	ALL	
73417	ROD ASSY.	15F19957-17	ALL	
73418	ROD ASSY.	15F19957-18	ALL	
73419	ROD ASSY.	15F19957-19	ALL	
73420	ROD ASSY.	15F19957-20	ALL	
73434	ROD ASSY.	15F19957-34	ALL	
73435	ROD ASSY.	15F19957-35	ALL	
73436	ROD ASSY.	15F19957-36	ALL	
73437	ROD ASSY.	15F19957-37	ALL	
73445	ROD ASSY.	15F19957-45	ALL	
73446	ROD ASSY.	15F19957-46	ALL	
73447	ROD ASSY.	15F19957-47	ALL	
73448	ROD ASSY.	15F19957-48	ALL	
73455	ROD ASSY.	15F19957-55	ALL	
73456	ROD ASSY.	15F19957-56	ALL	
73457	ROD ASSY.	15F19957-57	ALL	
73458	ROD ASSY.	15F19957-58	ALL	
73462	ROD ASSY.	15F19957-62	ALL	
73463	ROD ASSY.	15F19957-63	ALL	
73464	ROD ASSY.	15F19957-64	ALL	NOTE 526
73465	ROD ASSY.	15F19957-65	ALL	
73466	ROD ASSY.	15F19957-66	ALL	
73467	ROD ASSY.	15F19957-67	ALL	
73468	ROD ASSY.	15F19957-68	ALL	
73545	ROD ASSY.	15F21362-11	ALL	
73546	ROD ASSY.	15F21362-12	ALL	
73547	ROD ASSY.	15F21362-13	ALL	
73548	ROD ASSY.	15F21362-14	ALL	
73553	ROD ASSY.	15F21362-19	ALL	
73554	ROD ASSY.	15F21362-20	ALL	
73555	ROD ASSY.	15F21362-21	ALL	
73556	ROD ASSY.	15F21362-22	ALL	
73557	ROD ASSY.	15F21362-23	ALL	
73558	ROD ASSY.	15F21362-24	ALL	
73568	ROD ASSY.	N.L.A.		
73569	ROD ASSY.	N.L.A.		
73570	ROD ASSY.	N.L.A.		

**SECTION 1  
NUMERICAL PARTS HISTORY SUPERSEDURES**

ORIGINAL PART NO.	NOMENCLATURE	SUPERSEDING PART NO.	USE	REFERENCES
73580	ROD ASSY.	15F21362-29	ALL	
73581	ROD ASSY.	15F21362-30	ALL	
73582	ROD ASSY.	15F21362-31	ALL	
73604	HOUSING ASSY.	76139		NOTE 204, S.I. 1218
73609	CRANKCASE ASSY.	76595	ALL	NOTE 201
73620	PISTON	75984-S	ALL	NOTE 200, NOTE 201
73621	RING	73933		NOTE 131
73626	BRACKET	N.L.A.		
73627	ADAPTER	LW-12707	ALL	
73628	PISTON	75984-S	ALL	NOTE 200, NOTE 201
73638	BRACKET	N.L.A.		
73639	LEAD ASSY.	LW-620193-112	ALL	
73640	ELBOW ASSY.	AN823-6D	ALL	NOTE 113
73641	TUBE ASSY.	N.L.A.		
73642	SUPPORT ASSY.	74081	ALL	
73643	COUNTERWEIGHT ASSY.	LW-19211	ALL	
73644	COUNTERWEIGHT ASSY.	LW-19210	ALL	
73650	CLIP	LW-16266-25-25	ALL	S.B. 342
73669	MAGNETO	LW-163010-10	ALL	
73671	TEE	N.L.A.		
73672	LEAD ASSY.	73639	ALL	
73673	LEAD ASSY.	73676	ALL	
73674	LEAD ASSY.	73675	ALL	
73675	LEAD ASSY.	LW-620530-101	ALL	
73676	LEAD ASSY.	LW-620525-102	ALL	
73678	SHIELDING ASSY.	LW-620178-4	ALL	
73680	EXTENSION	75675	ALL	
73683	GEAR	68C19622	ALL	
73684	CAPSCREW	N.L.A.		
73685	LEAD ASSY.	N.L.A.		
73692	COIL	75179	ALL	NOTE 201
73693	KIT MAGNETO	LW-171192	ALL	
73694	KIT MAGNETO	LW-171191	ALL	
73696	BRACKET	N.L.A.		
73697	CRANKCASE ASSY.	76227-S	ALL	
73698	LEAD ASSY.	N.L.A.		
73701	HOUSING ASSY.	70406	ALL	
73704	CYLINDER ASSY.	76644	ALL	
73707	CYLINDER ASSY.	73948	ALL	NOTE 274
73708	BAFFLE ASSY.	74718	ALL	
73709	MAGNETO & HARNESS ASSY.	75418	ALL	

**SECTION 1  
NUMERICAL PARTS HISTORY SUPERSEDURES**

ORIGINAL PART NO.	NOMENCLATURE	SUPERSEDING PART NO.	USE	REFERENCES
73711	CAP-SEALING	N.L.A.		
73712	THROTTLE BODY ASSY.	N.L.A.		
73713	PUMP ASSY.	N.L.A.		
73714	MAGNETO	75177	ALL	
73715	MAGNETO	75178	ALL	
73717	ELBOW ASSY.	N.L.A.		
73718	TERMINAL	N.L.A.		
73719	GROMMET	N.L.A.		
73720	GASKET	75118	ALL	S.I. 1204
73721	CLIP	N.L.A.		
73722	BRACKET	N.L.A.	ALL	
73723	BRACKET	N.L.A.		
73726	LOCKCLIP	N.L.A.		
73727	CABLE-PLATE ASSY.	LW-10213	ALL	
73728	CABLE ASSY.	N.L.A.		
73729	CABLE-PLATE ASSY.	LW-10214	ALL	
73733	STRAP	76525	ALL	
73735	PIPE	N.L.A.		
73736	PIPE	N.L.A.		
73737	HARNESS ASSY.	75180	ALL	
73738	MANIFOLD ASSY.	N.L.A.		
73742	LEAD ASSY.	N.L.A.		
73743	BRACKET	N.L.A.		
73744	CLIP	MS 21919-G12	ALL	
73745	CLIP	LW-16266-10-38	ALL	
73747	HOUSING ASSY.	76153	ALL	NOTE 204, S.I. 1218
73748	SLEEVE	N.L.A.		
73749	HOSE ASSY.	LW-13181-6-303	ALL	
73750	TUBE ASSY.	73963, 73964	ALL	NOTE 133
73751	CLAMP	LW-16266-25-63	ALL	
73752	BRACKET	N.L.A.		
73753	TUBE ASSY.	73225	ALL	
73755	CRANKSHAFT ASSY.	LW-12699	ALL	
73758	NOZZLE	74151	ALL	S.I. 1186, NOTE 113
73762	CABLE ASSY.	75856	ALL	
73774	BAFFLE	77669	ALL	NOTE 113, NOTE 134
73774	BAFFLE	N.L.A.	ALL	
73777	BALL	N.L.A.		
73778	SEAT	N.L.A.		
73781	HOSE	LW-11373		NOTE 135
73783	HOSE	LW-15859		NOTE 136
73784	CONTROLLER	74423		NOTE 137

**SECTION 1  
NUMERICAL PARTS HISTORY SUPERSEDURES**

ORIGINAL PART NO.	NOMENCLATURE	SUPERSEDING PART NO.	USE	REFERENCES
73785	VALVE	74422		NOTE 137
73787	BOLT	N.L.A.		
73788	BOLT	N.L.A.		
73793	PIPE	N.L.A.		
73794	PIPE	N.L.A.		
73796	TUBE ASSY.	LW-12098-1-134	ALL	
73806	ROD ASSY.	15F22200	ALL	S.B. 453, S.B. 522
73807	SCREW	LW-19339	ALL	
73808	PIPE	N.L.A.		
73812	COUNTERWEIGHT ASSY.	LW-19212	ALL	
73815	GEAR	72080	ALL	
73820	GASKET	78292	ALL	
73831	BUTTON	N.L.A.		
73833	BOLT	N.L.A.		
73838	HOSE	LW-12798-4-130	ALL	
73840	CONVERSION KIT	N.L.A.		
73842	TUBE ASSY.	LW-16948	ALL	NOTE 200
73843	CLAMP	LW-16266-25-13	ALL	
73844	HOSE	73868	ALL	
73845	ELBOW	73868	ALL	
73846	BAFFLE ASSY.	LW-13430		NOTE 280
73851	PISTON	14B23919	ALL	
73857	RING	14H21950	ALL	
73860	COIL ASSY	N.L.A.		
73865	RING	67722	ALL	
73868	HOSE	N.L.A.		
73870	FUEL PUMP	74999	ALL	
73872	IMPELLER	61297	ALL	S.B.524, S.I. 1164 NOTE 531
73873	IMPELLER	61298	ALL	
73875	VALVE	N.L.A.		NOTE 138
73876	VALVE	N.L.A.		
73877	BODY	75287	ALL	S.I. 1164
73878	CRANKCASE ASSY.	71945	ALL	
73881	CYLINDER ASSY.	75171	ALL	
73883	HOSE	72045	ALL	
73884	COVER ASSY.	N.L.A.		
73886	HOUSING ASSY.	70406	ALL	
73892	ADAPTER	75026	ALL	
73894	BEND ASSY.	N.L.A.		
73900	CRANKCASE ASSY.	74959	ALL	S.I. 1196
73906	LEAD ASSY.	N.L.A.		

**SECTION 1  
NUMERICAL PARTS HISTORY SUPERSEDURES**

ORIGINAL PART NO.	NOMENCLATURE	SUPERSEDING PART NO.	USE	REFERENCES
73909	FUEL INJECTOR	LW-12209	ALL	
73910	SOLENOID ASSY.	N.L.A.		
73911	SOLENOID ASSY.	N.L.A.		
73912	HOSE ASSY.	LW-13173-3-075	ALL	S.I. 1274
73913	HOUSING & VALVE ASSY.	74607	ALL	
73914	TUBE ASSY.	N.L.A.		
73915	TUBE ASSY.	N.L.A.		
73917	COVER ASSY.	77667	ALL	NOTE 201
73920	HSG ASSY.	74606	ALL	NOTE 201
73921	PIPE	LW-12191	ALL	NOTE 201
73922	PIPE	LW-12193	ALL	NOTE 201
73924	CYLINDER ASSY.	LW-12431	ALL	
73925	CRANKCASE ASSY.	N.L.A.		
73932	PISTON	75984-S	ALL	NOTE 200
73935	CYLINDER ASSY.	76645	ALL	
73937	FUEL INJECTOR	LW-11848, 61J22300, 75176		NOTE 139
73938	VALVE, INTAKE	17A23938	ALL	S.I. 1037M
73940	HOUSING ASSY.	74102	ALL	
73942	HOSE	LW-12799-6-113	ALL	S.I. 1274
73943	HOSE	74144	ALL	
73944	ELBOW	72376, AN815-4, LW-12088		NOTE 140
73948	CYLINDER ASSY.	LW-13528, LW-19046		NOTE 141, NOTE 200, NOTE 201
73949	CYLINDER ASSY.	76190	ALL	
73951	CYLINDER ASSY.	76189	ALL	
73952	PLATE-CRANKSHAFT OIL SEAL	N.L.A.		
73953	CRANKCASE ASSY.	76596, 74758	ALL	NOTE 142
73956	CRANKCASE ASSY.	76597	ALL	
73959	CRANKCASE ASSY.	76598	ALL	
73963	TUBE ASSY.	LW-12098-1-200	ALL	
73964	TUBE ASSY.	LW-12098-1-170	ALL	
73965	BRACKET-FUEL MANIFOLD	07A23031		USE STOCK - DO NOT MIX PARTS
73967	FUEL INJECTOR	N.L.A.		
73968	ADAPTER ASSY.	LW-12676	ALL	NOTE 201, S.I. 1329
73969	MANIFOLD ASSY.	75283	ALL	
73970	HOSE	75386, LW-13175-4-303	ALL	NOTE 143, S.I. 1274
73971	CLAMP	LW-16266-25-50	ALL	
73972	HOUSING ASSY.	76111	ALL	NOTE 204, S.I. 1218
73973	FUEL PUMP	73870	ALL	
73974	HOSE ASSY.	74532, LW-10642, LW-13175-4-274		NOTE 144, S.I. 1274

**SECTION 1  
NUMERICAL PARTS HISTORY SUPERSEDURES**

ORIGINAL PART NO.	NOMENCLATURE	SUPERSEDING PART NO.	USE	REFERENCES
73976-S	PISTON	LW-10208-S	ALL	
73977	CYLINDER ASSY.	LW-12715	ALL	
73979	GUIDE	75838	ALL	
73985	GAGE ASSY.	LW-14773	ALL	
73996	CRANKSHAFT ASSY.	74575	ALL	NOTE 201
73997	CRANKSHAFT ASSY.	75079	ALL	NOTE 201
73999	SPACER	N.L.A.		
74001	CRANKCASE ASSY.	74961	ALL	NOTE 201
74004	CYLINDER ASSY.	75057	ALL	NOTE 201
74006	SCREW	N.L.A.		
74010	DUAL CARB ASSY.	N.L.A.		
74031	CLAMP	AN735-16	ALL	S.I. 1075
74033	BOLT	74751		NOTE 201, S.I. 1106
74046	REGULATOR	N.L.A.		
74048	CONVERSION KIT	N.L.A.		
74052	VALVE	74802	ALL	NOTE 201
74053	STRUT	LW-14574	ALL	
74055	BRACKET	LW-14573	ALL	
74056	GASKET	74944	ALL	
74058	PLUG	03C21721	ALL	
74059	PISTON	75413	ALL	NOTE 201
74060	FUEL PUMP	74082	ALL	
74061	RING	74241, 68512, 68513		NOTE 145, NOTE 201
74062	ROD END-DUAL CARB	N.L.A.		
74066	HOSE ASSY.	LW-13181-6-330	ALL	S.I. 1274
74067	MANIFOLD ASSY.	75285	ALL	
74068	RING	72312		NOTE 146
74068	RING	74065		IO-390-A1A6 ONLY
74071	HOSE	LW-13182-6-086	ALL	S.I. 1274
74077	SEAL	N.L.A.		
74078	CABLE ASSY.	75857	ALL	
74081	SUPPORT ASSY.	74321	ALL	
74082	FUEL PUMP	74798	ALL	
74083	SUMP ASSY.	LW-10828	ALL	NOTE 201
74088	CRANKCASE ASSY.	72457	ALL	
74091	CRANKCASE ASSY.	74542	ALL	NOTE 201
74092	STARTER	76211	ALL	
74093	STARTER	76213	ALL	
74102	HOUSING ASSY.	74728	ALL	NOTE 201
74104	HOUSING ASSY.	74729	ALL	NOTE 201
74105	ADAPTER ASSY.	N.L.A.		
74112	CRANKSHAFT ASSY.	75309		NOTE 201

**SECTION 1  
NUMERICAL PARTS HISTORY SUPERSEDURES**

ORIGINAL PART NO.	NOMENCLATURE	SUPERSEDING PART NO.	USE	REFERENCES
74116	CRANKCASE ASSY.	76599	ALL	
74121	CARBURETOR	61C26134		S.I. 1523
74122	CRANKCASE ASSY.	76600	ALL	
74125	CRANKSHAFT ASSY.	75310	ALL	NOTE 201
74127	MAGNETO	N.L.A.		
74130	FUEL INJECTOR	73221	ALL	
74131	FUEL INJECTOR	N.L.A.		
74132	MAGNETO	N.L.A.		
74135	HOUSING ASSY.	N.L.A.		
74138	HOUSING ASSY.	76142	ALL	NOTE 204, S.I. 1218
74141	PIPE	71713	ALL	
74142	BRACKET	76273	ALL	S.I. 1072
74144	HOSE	74458, 74533		NOTE 147
74145	HOSE	LW-13182-6-094	ALL	S.I. 1274
74146	HOSE	LW-13182-6-074	ALL	S.I. 1274
74147	NOZZLE ASSY.	74405		NOTE 113
74149	BRACKET	74278		NOTE 148, NOTE 201
74151	NOZZLE	LW-18265	ALL	
74158	CYLINDER ASSY.	75172	ALL	
74159	CYLINDER ASSY.	75173	ALL	
74167	CAMSHAFT ASSY.	LW-13222, 74792		NOTE 204, NOTE 499, S.I. 1218
74168	TUBE	N.L.A.		
74171	GAGE ASSY.	LW-14750	ALL	
74172	SUMP ASSY.	76503	ALL	NOTE 201
74174	MAGNETO	LW-163010-15	ALL	
74180	BEARING	77034	ALL	
74181	PIPE	75931	ALL	
74182	PIPE	75932	ALL	
74183	PIPE	75933	ALL	
74184	PIPE	75934	ALL	
74189	CRANKCASE ASSY.	76602	ALL	NOTE 201
74202	COVER ASSY.	LW-16085	ALL	NOTE 201
74208	CLIP	73751	ALL	
74209	FILTER	74639	ALL	NOTE 201
74210	IGNITION HARNESS	LW-620326-2	ALL	
74214	SHIELDING ASSY.	75850	ALL	
74215	NOZZLE	74151	ALL	
74222	HOSE	LW-13181-6-254	ALL	S.I. 1274
74225	NIPPLE ASSY.	63D21408	ALL	
74228	HARNESS ASSY.	LW-620480-1	ALL	
74230	GUIDE	16R22291		S.I. 1256
74236	CYLINDER ASSY.	N.L.A.		



**SECTION 1  
NUMERICAL PARTS HISTORY SUPERSEDURES**

ORIGINAL PART NO.	NOMENCLATURE	SUPERSEDING PART NO.	USE	REFERENCES
74242	PISTON	78762-S	ALL	
74243	FUEL INJECTOR	N.L.A.		
74245	COUPLING	LW-11587	ALL	
74247	CYLINDER ASSY.	76372	ALL	
74248	BUSHING-PROP FLANGE-INDEX-LONG	LW-18818-S	ALL	
74250	CRANKSHAFT ASSY.	74970	ALL	
74261	CYLINDER ASSY.	76184	ALL	NOTE 201
74262	CRANKCASE ASSY.	75483	ALL	NOTE 201
74265	CABLE ASSY.	N.L.A.		
74266	STRAP	N.L.A.		
74271	CYLINDER ASSY.	75409	ALL	
74287	CRANKCASE ASSY.	74424	ALL	
74291	REGULATOR	N.L.A.		S.I. 1154
74292	REGULATOR	N.L.A.		S.I. 1154
74295	FUEL INJECTOR	77194	ALL	
74303	BEARING	LW-11575	ALL	
74304	BEARING	78319	ALL	
74305	SEAL	78443	ALL	NOTE 113
74309	BEARING	18N19391		NOTE 3, NOTE 200 S.I. 1512
74312	RING	72312	ALL	
74313	EXTENSION	77527	ALL	
74319	ALTERNATOR	74880	ALL	S.I. 1154
74320	GAGE ASSY.	LW-14736	ALL	
74322	BELT	76026	ALL	
74323	STRUT	07F23268	ALL	
74332	SHROUD TUBE ASSY.	72255	ALL	
74333	COVER ASSY.	68795	ALL	
74341	IGNITION HARNESS	77093	ALL	NOTE 201
74342	GASKET	LW-10455	ALL	
74344	MAGNETO	LW-51365-57	ALL	
74349	CAMSHAFT ASSY.	N.L.A.		
74358	MANIFOLD ASSY.	75286	ALL	
74361	SUMP ASSY.	75141	ALL	
74367	HOSE	LW-11373	ALL	
74368	EYE LIFTING	72707 (Front), LW-13147 (Rear)	ALL	
74370	CRANKCASE ASSY.	75487	ALL	
74376	ELBOW ASSY.	N.L.A.		
74384	SUMP ASSY.	LW-13864	ALL	
74386	MANIFOLD ASSY.	75278	ALL	
74388	ROCKER ASSY.	17F21185	ALL	

**SECTION 1  
NUMERICAL PARTS HISTORY SUPERSEDURES**

ORIGINAL PART NO.	NOMENCLATURE	SUPERSEDING PART NO.	USE	REFERENCES
74390	ROCKER ASSY.	17F21187	ALL	
74392	BRACKET	N.L.A.		
74404	NOZZLE	73908	ALL	
74405	NOZZLE	76440		NOTE 149
74410	CLAMP	LW-19287	ALL	
74413	TUBE ASSY.	LW-12098-1-230	ALL	
74416	CRANKSHAFT ASSY.	LW-17531	ALL	
74417	CRANKSHAFT ASSY.	LW-17409	ALL	
74418	CRANKSHAFT ASSY.	LW-17471	ALL	
74419	CRANKSHAFT ASSY.	LW-17472	ALL	
74424	CRANKCASE ASSY.	75493	ALL	
74441	CRANKCASE ASSY.	N.L.A.		
74442	CRANKCASE ASSY.	N.L.A.		
74443	CRANKCASE ASSY.	N.L.A.		
74444	CRANKCASE ASSY.	N.L.A.		
74446	CYLINDER ASSY.	76480, 72458		NOTE 150, NOTE 200
74458	HOSE	LW-13178-4-062	ALL	S.I. 1274
74462	GAGE ASSY.	LW-14772	ALL	
74463	HOSE ASSY.	LW-13181-6-322	ALL	S.I. 1274
74468	CYLINDER ASSY.	LW-12413	ALL	
74471	MANIFOLD ASSY.	LW-12258		NOTE 151
74472	MANIFOLD ASSY.	LW-12259		NOTE 151
74493	HOSE	LW-18545		NOTE 152
74495	CLIP	73751	ALL	
74498	CYLINDER ASSY.	LW-12432	ALL	
74507	CYLINDER ASSY.	LW-13529	ALL	NOTE 201, S.I. 1302
74515	HOUSING ASSY.	76112		NOTE 113, S.I. 1218
74516	IDLER SHAFT	78617	ALL	
74517	PULLEY	78614	ALL	
74519	BELT	37A19773-382	ALL	
74520	BALL BEARING	78629	ALL	NOTE 113
74523	GAGE ASSY.	LW-14731	ALL	
74526	TUBE	75674	ALL	
74528	HOSE	LW-13178-4-032	ALL	S.I. 1274
74530	PISTON	75089	ALL	
74532	HOSE ASSY.	LW-10642, LW-13175-4-340		NOTE 153, S.I. 1274
74533	HOSE	LW-13184-4-075	ALL	S.I. 1274
74534	FUEL INJECTOR	76082, 77260		NOTE 154
74535-S	IMPELLER & SHAFT ASSY.	N.L.A.	ALL	S.I. 1032 Ref. Only
74536	SPACER	N.L.A.		
74541	VALVE	LW-19001	ALL	
74542	CRANKCASE ASSY.	76601	ALL	NOTE 201

**SECTION 1  
NUMERICAL PARTS HISTORY SUPERSEDURES**

ORIGINAL PART NO.	NOMENCLATURE	SUPERSEDING PART NO.	USE	REFERENCES
74543	HOSE ASSY.	LW-12876-4-224	ALL	S.I. 1274
74545	GEAR	N.L.A.		
74547	FUEL PUMP	62D22565		S.B. 539A
74548	CAMSHAFT ASSY.	75192	ALL	
74554	SEAT	LW-13323	ALL	
74556	FUEL INJECTOR	LW-14382		NOTE 155
74557	MANIFOLD ASSY.	75280	ALL	
74558	CYLINDER ASSY.	N.L.A.		
74561	CYLINDER ASSY.	76185	ALL	
74562	CYLINDER ASSY.	75163	ALL	
74563	CYLINDER ASSY.	LW-13530	ALL	
74564	CYLINDER ASSY.	LW-13531	ALL	
74565	HOSE ASSY.	LW-13181-6-112	ALL	S.I. 1274
74566	CYLINDER ASSY.	75055		NOTE 113
74567	CYLINDER ASSY.	75058		NOTE 113
74569	RING	N.L.A.		
74573	STUD	72263	ALL	
74575	CRANKSHAFT ASSY.	75078	ALL	
74576	CRANKSHAFT ASSY.	75079	ALL	
74578	CRANKSHAFT ASSY.	75075	ALL	
74579	CRANKSHAFT ASSY.	75076	ALL	
74581	CRANKSHAFT ASSY.	75039	ALL	
74582	CRANKSHAFT ASSY.	75073	ALL	
74583	CRANKSHAFT ASSY.	75080	ALL	
74584	FUEL INJECTOR	75022	ALL	
74586	HOSE ASSY.	LW-13175-4-102	ALL	S.I. 1274
74587	HOSE ASSY.	LW-13192-4-334	ALL	S.I. 1274
74590	HOSE	LW-13183-6-161	ALL	S.I. 1274
74591	NOZZLE ASSY.	LW-10475	ALL	
74593	HOSE ASSY.	74732	ALL	
74597	BRACKET-FUEL MANIFOLD	07A23031		USE STOCK - DO NOT MIX PARTS
74598	BRACKET-FUEL MANIFOLD	07A23032		USE STOCK - DO NOT MIX PARTS
74599	PLATE	N.L.A.		
74601	BY-PASS VALVE	77984	ALL	
74603	HOUSING ASSY.	74606	ALL	
74613	PLUG	N.L.A.		
74617	SHAFT ASSY.	N.L.A.		
74617	SHAFT ASSY.	N.L.A.		
74619	GROMMET	N.L.A.		
74620	MANIFOLD ASSY.	LW-12606		NOTE 156
74620	MANIFOLD ASSY.	N.L.A.	ALL	

**SECTION 1  
NUMERICAL PARTS HISTORY SUPERSEDURES**

ORIGINAL PART NO.	NOMENCLATURE	SUPERSEDING PART NO.	USE	REFERENCES
74626	CRANKSHAFT ASSY.	74416	ALL	
74628	HOUSING ASSY.	21A23000-01	ALL	
74629	MANIFOLD	N.L.A.		
74630	MANIFOLD	N.L.A.		
74631	PIPE	78741	ALL	NOTE 201, S.I. 1216
74632	PIPE	78742	ALL	NOTE 210, S.I. 1216
74633	PIPE	78743	ALL	NOTE 201, S.I. 1216
74634	PIPE	78744	ALL	NOTE 201, S.I. 1216
74636	ROCKER ASSY.	LW-18790	ALL	S.B. 477
74641	SHAFT	73281		S.I. 1230, NOTE 113, NOTE 157
74643	MANIFOLD ASSY.	75281	ALL	
74644	BOLT	75060, 75061		NOTE 158, NOTE 200
74645	BOLT	75060		NOTE 159, NOTE 200
74646	NUT	LW-12186		NOTE 201, NOTE 281, S.I. 1106, S.I. 1296
74647	TUBE ASSY.	LW-12098-1-210	ALL	
74648	TUBE ASSY.	LW-12098-2-180	ALL	
74649	TUBE ASSY.	LW-12098-2-276	ALL	
74650	TUBE ASSY.	LW-12098-3-260	ALL	
74651	PIPE	74764	ALL	
74656	BRACKET	07A21682	ALL	NOTE 160
74657	BRACKET	07F21406	ALL	
74658	BRACKET	LW-12501	ALL	
74660	GUIDE	67784	ALL	
74661	RELAY	N.L.A.		S.I. 1154
74667	BOLT	78027	ALL	NOTE 201
74668	BRACE	07F21407	ALL	
74669	BOLT	N.L.A.		S.I. 1311
74676	NOZZLE ASSY.	N.L.A.		
74702	GAGE ASSY.	LW-14732	ALL	
74704	SCREW	N.L.A.		
74705	CRANKCASE ASSY.	75477	ALL	
74708	CRANKSHAFT ASSY.	LW-17166	ALL	
74712	RING	77569, LW-12620		NOTE 161
74713	GAGE ASSY.	LW-14760	ALL	
74715	PLUG	72842		
74716	CABLE ASSY.	75849	ALL	
74720	MANIFOLD ASSY.	75279	ALL	
74727	STUD	75000	ALL	NOTE 113
74728	HOUSING ASSY.	LW-16082	ALL	S.I. 1394, NOTE 201
74729	HOUSING ASSY.	LW-16081	ALL	S.I. 1394, NOTE 201
74731	GAGE ASSY.	LW-14754	ALL	

**SECTION 1  
NUMERICAL PARTS HISTORY SUPERSEDURES**

ORIGINAL PART NO.	NOMENCLATURE	SUPERSEDING PART NO.	USE	REFERENCES
74732	HOSE ASSY.	LW-13177-4-084	ALL	S.I. 1274
74734	KIT ASSY.	N.L.A.		
74735	PLATE	N.L.A.		
74736	COVER	75853		
74740	CAMSHAFT ASSY.	LW-13877, LW-13879		NOTE 162, NOTE 201
74741	TUBE ASSY.	N.L.A.		
74742	TUBE ASSY.	N.L.A.		
74743	TUBE ASSY.	N.L.A.		
74749	SHAFT GEAR	N.L.A.		
74751	BOLT	N.L.A.		S.B. 303
74755	GEAR ASSY.	N.L.A.		
74756	GASKET	LW-15619	ALL	
74757	SHAFT	76925		NOTE 201
74758	CRANKCASE ASSY.	75490	ALL	
74765	GAGE ASSY.	LW-14771	ALL	
74768	GEAR-CRANKSHAFT	N.L.A.		
74769	GEAR-CAMSHAFT	N.L.A.		
74771	SPACER	N.L.A.		NOTE 163
74773	FUEL PUMP	74547	ALL	
74776	GEAR	78034	ALL	
74779	CRANKSHAFT ASSY.	75028	ALL	S.I. 1113, S.B. 300
74781	CYLINDER ASSY.	N.L.A.		
74782	LIFTER	N.L.A.		S.I. 1011
74784	HOSE ASSY.	LW-13181-6-360, 78700	ALL	NOTE 164, S.I. 1274
74786	CAMSHAFT ASSY.	N.L.A.		
74793	STARTER	77879	ALL	
74794	IMPELLER	N.L.A.		
74795	IMPELLER	N.L.A.		
74798	FUEL PUMP	75148	ALL	
74800	SHAFT ASSY.	N.L.A.		
74801	BEARING	18B23142		NOTE 3, NOTE 200, S.I. 1512
74802	VALVE	LW-11167	ALL	
74804	RELAY	N.L.A.		S.I. 1154
74807	TUBE ASSY.	N.L.A.		
74810	ELBOW	77673	ALL	
74816	ALTERNATOR	79078, 78314		NOTE 165
74818	ADAPTER	N.L.A.		
74825	CYLINDER ASSY.	75215	ALL	
74828	CYLINDER ASSY.	78283	ALL	
74829	CYLINDER ASSY.	75797	ALL	
74830	GEAR	LW-16494	ALL	NOTE 201
74831	TUBE ASSY.	LW-12098-1-240	ALL	

**SECTION 1  
NUMERICAL PARTS HISTORY SUPERSEDURES**

ORIGINAL PART NO.	NOMENCLATURE	SUPERSEDING PART NO.	USE	REFERENCES
74833	HOUSING ASSY.	56A21692-02	ALL	NOTE 282, S.I. 1279, S.I. 1355
74835	MANIFOLD ASSY.	N.L.A.		NOTE 208
74836	MANIFOLD ASSY.	N.L.A.		NOTE 208
74838	SHAFT	N.L.A.		
74840	HOUSING ASSY.	76143		NOTE 113, NOTE 204, S.I. 1218
74841	SUMP ASSY.	76808	ALL	NOTE 201
74845	GASKET	N.L.A.		
74847	FUEL INJECTOR	74295, 75224		NOTE 166
74850	TUBE ASSY.	75091	ALL	
74851	TUBE ASSY.	75092	ALL	
74852	TUBE ASSY.	74850	ALL	
74853	TUBE ASSY.	75094	ALL	
74854	MANIFOLD ASSY.	75095	ALL	
74858	GASKET	N.L.A.		
74863	PULLEY	76158		NOTE 167
74864	BELT	N.L.A.		
74865	LINK	N.L.A.		
74866	BRACKET	N.L.A.		
74868	PULLEY	74863	ALL	
74871	IGNITION HARNESS ASSY.	LW-620445-1	ALL	
74878	FAN & BAFFLE ASSY.	N.L.A.		
74879	ALTERNATOR ASSY.	75220	ALL	
74880	ALTERNATOR ASSY.	N.L.A.		NOTE 283, S.I. 1154
74883	PULLEY	N.L.A.		
74884	ALTERNATOR	N.L.A.		S.I. 1154
74886	CRANKSHAFT ASSY.	LW-17533	ALL	
74900	REDUCTION GEAR ASSY.	75679	ALL	S.I. 1168
74903	BRACKET	N.L.A.		
74904	GASKET	76691, 76888		NOTE 284
74905	SHROUD TUBE	N.L.A.		
74907	SHROUD TUBE	N.L.A.		
74911	FILTER & ADAPTER ASSY.	77582 & 77583	ALL	
74912	ADAPTER ASSY.	N.L.A.		
74913	SUMP ASSY.	N.L.A.		
74918	GASKET	76819	ALL	NOTE 113
74922	DOWEL	N.L.A.		
74924	CYLINDER ASSY.	LW-12425	ALL	
74925	CYLINDER ASSY.	LW-12426	ALL	
74927	RESERVOIR	N.L.A.		
74935	GAGE ASSY.	N.L.A.		

**SECTION 1  
NUMERICAL PARTS HISTORY SUPERSEDURES**

ORIGINAL PART NO.	NOMENCLATURE	SUPERSEDING PART NO.	USE	REFERENCES
74938	SPACER	N.L.A.		
74939	SPRING	79051	ALL	
74942	BAFFLE	75962	ALL	
74943	IGNITION HARNESS	75690	ALL	NOTE 201
74945	FUEL INJECTOR	75969	ALL	
74948	MANIFOLD ASSY.	N.L.A.		
74953	CRANKSHAFT ASSY.	75040, 75976		NOTE 168
74954	CRANKSHAFT ASSY.	N.L.A.		
74955	CRANKSHAFT ASSY.	N.L.A.		
74958	CRANKCASE ASSY.	75297	ALL	S.I. 1196
74959	CRANKCASE ASSY.	75300	ALL	S.I. 1196
74960	CRANKCASE ASSY.	75296	ALL	
74961	CRANKCASE ASSY.	75301	ALL	
74966	CRANKSHAFT ASSY.	LW-17160	ALL	
74968	CRANKSHAFT ASSY.	LW-17161	ALL	
74970	CRANKSHAFT ASSY.	LW-17162	ALL	
74973	CYLINDER ASSY.	75874	ALL	NOTE 274
74974	CYLINDER ASSY.	LW-12987, LW-19047	ALL	NOTE 169, NOTE 201
74975	GROMMET	STD-1930	ALL	
74978	BELT	37A19773M380	ALL	
74979	CRANKSHAFT ASSY.	LW-17509	ALL	
74980	CRANKSHAFT ASSY.	LW-17567	ALL	
74981	CRANKSHAFT ASSY.	LW-17510	ALL	
74982	CRANKSHAFT ASSY.	LW-17568	ALL	
74983	CLAMP	78146	ALL	
74985	CRANKCASE ASSY.	76219	ALL	
74987	CRANKSHAFT ASSY.	LW-17534	ALL	
74988	CRANKSHAFT ASSY.	LW-17566	ALL	
74990	HOSE	LW-12154	ALL	
74994	CRANKSHAFT ASSY.	75258	ALL	S.I. 1145, NOTE 201
74995	CRANKSHAFT ASSY.	75259	ALL	S.I. 1145, NOTE 201
74999	FUEL PUMP	75131	ALL	
75002	CRANKSHAFT ASSY.	LW-17408	ALL	
75003	CRANKSHAFT ASSY.	LW-17469	ALL	
75004	CRANKSHAFT ASSY.	LW-17407	ALL	
75005	CRANKSHAFT ASSY.	LW-17468	ALL	
75009	BRACKET	77547		NOTE 170, S.B. 342
75010	CRANKSHAFT ASSY.	LW-17060	ALL	
75011	CRANKSHAFT ASSY.	LW-17061	ALL	
75012	CRANKSHAFT ASSY.	LW-17062	ALL	
75015	CRANKSHAFT ASSY.	N.L.A.		
75016	CRANKSHAFT ASSY.	N.L.A.		

**SECTION 1  
NUMERICAL PARTS HISTORY SUPERSEDURES**

ORIGINAL PART NO.	NOMENCLATURE	SUPERSEDING PART NO.	USE	REFERENCES
75017	PLUG	N.L.A.		
75018	CRANKSHAFT ASSY.	LW-17470	ALL	
75022	FUEL INJECTOR	N.L.A.		
75023	SCREW	N.L.A.		
75028	CRANKSHAFT ASSY.	75012	ALL	S.I. 1113
75030	SUPPORT ASSY.	77579		NOTE 171
75031	HOUSING ASSY.	76144		S.I. 1218, NOTE 113, NOTE 204
75039	CRANKSHAFT ASSY.	LW-17648	ALL	
75040	CRANKSHAFT ASSY.	LW-17676	ALL	
75042	CYLINDER ASSY.	LW-12416	ALL	NOTE 201, S.I. 1277
75043	PUMP ASSY.	N.L.A.		
75044	CYLINDER ASSY.	75042, 75317		NOTE 201, NOTE 504, S.I. 1136
75045	HOSE	LW-13175-4-214	ALL	S.I. 1274
75054	CYLINDER ASSY.	76186	ALL	
75055	CYLINDER ASSY.	75798	ALL	
75057	CYLINDER ASSY.	N.L.A.		SFN-880-2
75058	CYLINDER ASSY.	N.L.A.		SFN-880-2
75060	BOLT	LW-12596		NOTE 172, S.I. 1307, S.I. 1311, S.I. 1318, S.I. 1469
75065	CRANKSHAFT ASSY.	75010	ALL	
75067	CRANKSHAFT ASSY.	75011	ALL	S.I. 1113
75068	VALVE	74541	ALL	S.I. 1136, S.B. 404
75073	CRANKSHAFT ASSY.	LW-17674	ALL	
75075	CRANKSHAFT ASSY.	LW-17649	ALL	
75076	CRANKSHAFT ASSY.	LW-17677	ALL	
75078	CRANKSHAFT ASSY.	LW-17650	ALL	
75079	CRANKSHAFT ASSY.	LW-17679	ALL	
75080	CRANKSHAFT ASSY.	LW-17675	ALL	
75081	HOSE	LW-13175-4-290	ALL	S.I. 1274
75086	PLUNGER	LW-13344	ALL	NOTE 201, S.B. 384
75089	PISTON	14D23912	ALL	
75089-P10	PISTON	N.L.A.		
75089-P20	PISTON	N.L.A.		After stock
75090	CRANKCASE ASSY.	76606	ALL	NOTE 201
75091	TUBE ASSY.	LW-12098-3-320	ALL	
75092	TUBE ASSY.	LW-12098-4-390	ALL	
75093	TUBE ASSY.	LW-12098-2-256	ALL	
75094	TUBE ASSY.	LW-12098-3-334	ALL	
75099	CRANKCASE ASSY.	76611	ALL	NOTE 201
75102	CRANKCASE ASSY.	76605	ALL	NOTE 201
75105	CRANKCASE ASSY.	76607	ALL	



**SECTION 1  
NUMERICAL PARTS HISTORY SUPERSEDURES**

ORIGINAL PART NO.	NOMENCLATURE	SUPERSEDING PART NO.	USE	REFERENCES
75107	SUMP ASSY.	56A22648-01		
75109	COVER-INDUCTION HOUSING	N.L.A.		
75119	FUEL INJECTOR	LW-12396		NOTE 173
75120	BRACKET	N.L.A.		
75122	TUBE ASSY.	N.L.A.		
75123	PIPE	N.L.A.		
75124	GEAR	LW-19099	ALL	
75128	HOUSING ASSY.	76114	ALL	S.I. 1218, NOTE 113, NOTE 204
75131	FUEL PUMP	75247	ALL	S.I.1110
75133	GAGE ASSY.	LW-14770	ALL	
75134	CRANKCASE ASSY.	76610	ALL	NOTE 201
75135	BAFFLE ASSY.	LW-16603	ALL	NOTE 201
75138	MANIFOLD ASSY.	LW-10189	ALL	
75139	MANIFOLD ASSY.	LW-10188	ALL	
75141	SUMP ASSY.	LW-12754	ALL	
75145	DOWEL	N.L.A.		
75148	FUEL PUMP	75246	ALL	S.L. L218
75154	STUD	76220		NOTE 174, NOTE 113
75155	STUD	76220		NOTE 174, NOTE 113
75156	STUD	LW-13793	ALL	S.I. 1310
75157	CRANKSHAFT ASSY.	LW-17167	ALL	
75158	SHAFT	LW-13796	ALL	S.I. 1310
75162	BUSHING	LW-18009	ALL	
75163	CYLINDER ASSY.	LW-13532	ALL	NOTE 201
75167	TUBE ASSY.	LW-12213		NOTE 295
75171	CYLINDER ASSY.	75137	ALL	NOTE 201
75172	CYLINDER ASSY.	N.L.A.		SFN-880-2
75173	CYLINDER ASSY.	N.L.A.		SFN-880-2
75175	SHIELDING ASSY.	77017	ALL	
75177	MAGNETO	N.L.A.		
75178	MAGNETO	N.L.A.		
75179	COIL	N.L.A.		
75180	HARNESS ASSY.	N.L.A.		
75183	CYLINDER ASSY.	LW-12410	ALL	NOTE 201
75184	CYLINDER ASSY.	LW-12409	ALL	NOTE 201
75186	CYLINDER ASSY.	LW-12424	ALL	NOTE 201
75187	CYLINDER ASSY.	LW-12420	ALL	NOTE 201
75188	CYLINDER ASSY.	LW-12412	ALL	NOTE 201, S.I. 1277
75191	CAMSHAFT ASSY.	05K19718	ALL	NOTE 201, NOTE 204, S.I. 1218
75192	CAMSHAFT ASSY.	05K19718	ALL	NOTE 201, NOTE 204, S.I. 1218

**SECTION 1  
NUMERICAL PARTS HISTORY SUPERSEDURES**

ORIGINAL PART NO.	NOMENCLATURE	SUPERSEDING PART NO.	USE	REFERENCES
75203	HOSE ASSY.	LW-13177-4-334	ALL	S.I. 1274
75206	CRANKCASE ASSY.	77263	ALL	NOTE 201
75207	STARTER	76214	ALL	
75208	CRANKSHAFT ASSY.	77417	ALL	
75210	BEARING	77044	ALL	
75220	ALTERNATOR ASSY.	78314		S.I. 1154
75222	THRUST WASHER	N.L.A.		
75223	PIPE	LW-12195	ALL	NOTE 201
75224	FUEL INJECTOR	76703	ALL	
75225	TURBOCHARGER	LW-13112	ALL	NOTE 201, S.I. 1300
75230	TRANSITION ASSY.	77025	ALL	S.I. 1190
75246	FUEL PUMP	LW-15472		S.I. 1110
75247	FUEL PUMP	LW-15473		
75248	GEAR ASSY.	N.L.A.		
75250	ADAPTER	N.L.A.		S.B. 298
75251	HOSE ASSY.	LW-13180-4S106	ALL	
75252	ELBOW	72377		NOTE 175
75254	RING	69457	ALL	
75257	GAGE ASSY.	LW-14761	ALL	
75258	CRANKSHAFT ASSY.	LW-17410	ALL	
75259	CRANKSHAFT ASSY.	LW-17474	ALL	
75265	TUBE	77022		NOTE 201, S.I. 1190
75266	TUBE	77023		NOTE 201, S.I. 1190
75269	CRANKCASE ASSY.	75480	ALL	
75275	TUBE	77024	ALL	NOTE 201, S.I. 1190
75276	TUBE	77026	ALL	NOTE 201, S.I. 1190
75278	MANIFOLD ASSY.	77548, LW-14113		NOTE 176
75279	MANIFOLD ASSY.	LW-18476	ALL	
75280	MANIFOLD ASSY.	LW-14576, 63B21293		NOTE 177
75281	MANIFOLD ASSY.	LW-15720		NOTE 178
75283	MANIFOLD ASSY.	79007		NOTE 179
75287	BODY ASSY.	51A22618		NOTE 201, S.I. 1164, NOTE 201, S.I. 1230, S.B. 524
75288	SHAFT	61174		
75292	BOX AIR INLET	LW-10453	ALL	NOTE 113
75296	CRANKCASE ASSY.	77047	ALL	
75297	CRANKCASE ASSY.	77048	ALL	S.I. 1196
75300	CRANKCASE ASSY.	77051	ALL	S.I. 1196
75301	CRANKCASE ASSY.	77052	ALL	
75307	ELBOW	N.L.A.		
75309	CRANKSHAFT ASSY.	LW-17828	ALL	
75310	CRANKSHAFT ASSY.	LW-17839	ALL	
75311	FUEL INJECTOR	78802	ALL	NOTE 201

**SECTION 1  
NUMERICAL PARTS HISTORY SUPERSEDURES**

ORIGINAL PART NO.	NOMENCLATURE	SUPERSEDING PART NO.	USE	REFERENCES
75312	SUPPORT ASSY.	N.L.A.		
75317	CYLINDER ASSY.	75868	ALL	NOTE 274
75323	SUPPORT ASSY.	LW-15952	ALL	NOTE 200, S.I. 1384
75325	CLAMP	MS21920-37	ALL	
75327	HOSE ASSY.	N.L.A.		
75328	HOSE ASSY.	N.L.A.		
75342	SPACER	N.L.A.		
75346	BODY ASSY.	N.L.A.		
75352	CRANKCASE ASSY.	LW-11046	ALL	NOTE 201
75355	CRANKCASE ASSY.	LW-11045	ALL	NOTE 201
75356	GASKET	LW-18038	ALL	NOTE 113
75357	ELBOW	LW-16961, LW-18026	ALL	NOTE 180, NOTE 200
75358	HOSE	LW-11373	ALL	NOTE 200
75359	DOWEL	N.L.A.		
75361	CYLINDER ASSY.	LW-12411	ALL	NOTE 201
75362	CYLINDER ASSY.	LW-12423	ALL	NOTE 201
75363	CYLINDER ASSY.	LW-12422	ALL	NOTE 201
75365	IGNITION HARNESS	LW-620410-3	ALL	
75367	HOUSING ASSY.	76152	ALL	NOTE 113, NOTE 204,
75370	ADAPTER	76889	ALL	NOTE 113
75372	CYLINDER ASSY.	75927	ALL	NOTE 201
75379	ADAPTER ASSY.	75444	ALL	
75381	HOUSING ASSY.	76145		S.I. 1218, NOTE 113, NOTE 204
75386	HOSE ASSY.	LW-13175-4-343	ALL	S.I. 1274
75393	CYLINDER ASSY.	75215		NOTE 201
75394	CYLINDER ASSY.	74925	ALL	NOTE 274
75396	CYLINDER ASSY.	75929	ALL	NOTE 201, NOTE 274
75397	CYLINDER ASSY.	75928	ALL	NOTE 201, NOTE 274
75409	CYLINDER ASSY.	75215	ALL	NOTE 201
75413	PISTON	14D23915	ALL	NOTE 201
75415	CYLINDER ASSY.	LW-13533, LW-13447		NOTE 181, NOTE 201
75417	THERMOCOUPLE INSTALL.	LW-19231	ALL	
75418	MAGNETO & HARNESS	N.L.A.		
75427	HOSE	LW-12786-3-073	ALL	S.I. 1274
75429	HOSE	LW-12798-4-242	ALL	S.I. 1274
75431	HOSE	LW-12878-4-176	ALL	S.I. 1274
75433	HOSE	LW-12879-6-120	ALL	S.I. 1274
75447	NIPPLE	02A21382	ALL	
75449	ADAPTER	76889	ALL	NOTE 113
75453	MAGNETO	LW-349285-1	ALL	

**SECTION 1  
NUMERICAL PARTS HISTORY SUPERSEDURES**

ORIGINAL PART NO.	NOMENCLATURE	SUPERSEDING PART NO.	USE	REFERENCES
75454	MAGNETO	LW-349290-1	ALL	
75455	MAGNETO	LW-349290-2	ALL	
75456	MAGNETO	LW-349290-3	ALL	
75457	MAGNETO	LW-349300-4	ALL	
75458	CRANKSHAFT ASSY.	LW-15872	ALL	
75460	CRANKSHAFT ASSY.	N.L.A.		
75462	BUSHING	N.L.A.		
75463	COUPLING	N.L.A.		
75464	SHAFT	N.L.A.		
75467	COUPLING ASSY- MAGNETO DR-INTER	N.L.A.		
75468	SHAFT GEAR ASSY.	N.L.A.		
75469	TUBE ASSY.	LW-12098-0-100	ALL	
75473	SHAFTGEAR ASSY- MAGNETO DRIVE	N.L.A.		
75477	CRANKCASE ASSY.	76603	ALL	NOTE 201
75480	CRANKCASE ASSY.	76608	ALL	NOTE 201
75483	CRANKCASE ASSY.	76604	ALL	NOTE 201
75487	CRANKCASE ASSY.	76612	ALL	NOTE 201
75490	CRANKCASE ASSY.	76613	ALL	NOTE 201
75493	CRANKCASE ASSY.	76618	ALL	
75494	ELBOW	LW-16977	ALL	NOTE 200
75498	SHAFT	LW-11990	ALL	NOTE 201
75499	SHAFT	LW-11989	ALL	NOTE 201
75500	GEAR ASSY- GENERATOR DRIVE	N.L.A.		
75501	COVER	LW-12451		NOTE 113
75502	TUBE	LW-11739		NOTE 113
75506	KIT ASSY., FUEL PUMP	75247	ALL	NOTE 182, S.L. L218
75507	KIT ASSY., FUEL PUMP	75246	ALL	NOTE 182, S.L. L218
75508	GEAR, ACCY DRIVEN	N.L.A.		
75509	BEARING	74309	ALL	
75510	SHAFT	LW-11500	ALL	
75517	BEARING	81G19401	ALL	S.I.1312, NOTE 200
75518	BEARING	75517		S.I.1312, NOTE 200
75519	BEARING	81G19402	ALL	
75520	BEARING	LW-11256	ALL	
75521	COUPLING-BENDIX DRIVE	N.L.A.		
75524	WASHER	LW-11778-S	ALL	
75528	FILTER KIT	LW-13743	ALL	SSP-885-1
75534	CRANKCASE ASSY.	77264	ALL	NOTE 201

**SECTION 1  
NUMERICAL PARTS HISTORY SUPERSEDURES**

ORIGINAL PART NO.	NOMENCLATURE	SUPERSEDING PART NO.	USE	REFERENCES
75536	BUSHING-1.50 OD X 1.31 ID	75536-S		
75538	SHAFT	N.L.A.		
75539	ADAPTER ASSY.	N.L.A.		
75541	ADAPTER ASSY.	LW-10421	ALL	NOTE 201, S.I. 1239
75545	ADAPTER ASSY.	78594		NOTE 183
75546	GEAR-PROP SHAFT GOV DRIVE	N.L.A.		
75547	BEARING	LW-13210, LW-13211	ALL	NOTE 184, NOTE 201
75550	SUPPORT ASSY.	N.L.A.		NOTE 52
75552	BEARING	LW-12476	ALL	
75553	GEAR-PROP SHAFT DRIVE	N.L.A.		
75554	MAGNETO	LW-349310-4	ALL	
75555	THERMOCOUPLE INSTALL.	LW-19232	ALL	
75556	FLANGE	N.L.A.		
75559	CRANKSHAFT ASSY.	76374	ALL	
75562	GEAR	N.L.A.		S.I. 1292
75566	COUPLING ASSY- STARTER SLIP	N.L.A.		
75571	SHAFT	78585	ALL	NOTE 201
75574	PULLEY & SHAFT ASSY.	78639	ALL	NOTE 201
75576	PIPE	N.L.A.		
75577	ADAPTER- COMPRESSOR DRIVE	N.L.A.		
75579	HOUSING ASSY.	N.L.A.		
75580	BRACKET	N.L.A.		
75589	RING	N.L.A.		
75590	GEROTOR	N.L.A.		
75592	CONTROLLER ASSY.	N.L.A.		
75603	SEAL	LW-11877	ALL	
75606	COUPLING	LW-12093-6	ALL	
75607	SHIM	LW-13519	ALL	S.I. 1312, NOTE 201
75609	BODY ASSY.	N.L.A.		
75616	SEAL	75968	ALL	NOTE 113
75618	CAP THRUST BEARING	N.L.A.		
75621	GEAR ASSY.	LW-12519	ALL	NOTE 201
75625	HOSE ASSY.	N.L.A.		
75632	GASKET	75371	ALL	
75636	COUNTERWEIGHT ASSY.	78988	ALL	NOTE 113, S.I. 1012
75638	MANIFOLD ASSY.	LW-16116	ALL	
75641	SPRING	LW-11338	ALL	NOTE 113

**SECTION 1  
NUMERICAL PARTS HISTORY SUPERSEDURES**

ORIGINAL PART NO.	NOMENCLATURE	SUPERSEDING PART NO.	USE	REFERENCES
75642	ALTERNATOR	74319	ALL	S.I. 1154
75643	ALTERNATOR	N.L.A.	ALL	
75644	ALTERNATOR	74816	ALL	
75645	ALTERNATOR	75646	ALL	
75646	ALTERNATOR	76168	ALL	
75649	SPACER	LW-18130	ALL	
75653	MAGNETO	LW-349370-4	ALL	
75658	ROLLER	N.L.A.		
75660	SPACER	N.L.A.		
75661	SPACER	N.L.A.		S.I. 1234
75663	NOZZLE	LW-10476	ALL	NOTE 113
75665	HOSE ASSY.	LW-12798-4-190	ALL	S.I. 1274
75666	HOSE ASSY.	LW-12876-4-046	ALL	S.I. 1274
75667	HOSE ASSY.	LW-12798-4-054	ALL	S.I. 1274
75669	VALVE ASSY.	77676	ALL	
75670	CRANKSHAFT ASSY.	LW-15876	ALL	
75671	COVER ASSY.	68795	ALL	
75672	COVER ASSY.	68795	ALL	NOTE 113
75673	TUBE ASSY.	N.L.A.		
75674	TUBE	77526	ALL	
75679	REDUCTION GEAR ASSY.	LW-11188		NOTE 187
75684	BAFFLE ASSY.	N.L.A.		
75685	OIL COOLER ASSY.	LW-14709	ALL	
75688	STRAP-LIFTING	N.L.A.		
75689	HOSE	74990		TIGO-541 ONLY
75690	HARNESS	LW-620435-1	ALL	
75692	HOSE ASSY.	LW-12799-6-090	ALL	
75693	CONTROLLER ASSY.	LW-11377	ALL	
75698	CAP	N.L.A.		
75699	STARTER	LW-14211	ALL	S.I. 1154
75700	STARTER	LW-14212	ALL	S.I. 1154
75706	CAMSHAFT ASSY.	75706-S	ALL	
75709	PIN	78368	ALL	S.I. 1218
75717	CYLINDER ASSY.	LW-13534	ALL	NOTE 201
75720	PLATE	LW-13052	ALL	S.B. 354
75721	ELBOW	N.L.A.		
75723	ALTERNATOR ASSY.	N.L.A.		S.I. 1154
75724	ALTERNATOR	N.L.A.		
75725	ALTERNATOR ASSY.	N.L.A.		
75734	COVER ASSY.	N.L.A.		
75739	NIPPLE	LW-16562		NOTE 208

**SECTION 1  
NUMERICAL PARTS HISTORY SUPERSEDURES**

ORIGINAL PART NO.	NOMENCLATURE	SUPERSEDING PART NO.	USE	REFERENCES
75736	TUBE OIL LEVEL GAGE	56C23075		IO-390-A1A6 RT ONLY
75740	BAFFLE, OIL COOLER	N.L.A.		
75745	PIPE	N.L.A.		
75747	GEAR-ACCESSORY IDLER	N.L.A.		
75748	GEAR	78034	ALL	
75749	LOCKPLATE	N.L.A.		
75750	PROP SHAFT	LW-12365	ALL	NOTE 201
75752	PLATE	76816	ALL	
75753	MAGNETO	LW-349310-1	ALL	
75758	TUBE ASSY.	N.L.A.		
75759	TUBE	77527	ALL	NOTE 201
75763	BRACKET	N.L.A.		
75764	BRACKET	N.L.A.		
75765	BRACKET	N.L.A.		
75766	BRACKET	N.L.A.		
75771	SPACER	N.L.A.		
75772	TUBE	68987	ALL	NOTE 482, S.I. 1277
75773	TUBE	72255	ALL	
75774	TUBE	71083	ALL	
75775	TUBE	72839	ALL	
75776	TUBE	72257	ALL	
75777	SHAFT ASSY.	77901	ALL	
75778	HOUSING ASSY.	76830	ALL	
75784	SPRING	N.L.A.		
75786	PLATE	76838	ALL	NOTE 201
75787	STARTER	N.L.A.		S.I. 1154
75789	ROD END	LW-10989	ALL	
75790	ROD	77199	ALL	
75792	TUBE ASSY.	N.L.A.		
75795	LEVER-CONTROLLER	N.L.A.		
75796	SHAFT	N.L.A.		
75797	CYLINDER ASSY.	76187	ALL	
75798	CYLINDER ASSY.	76184	ALL	
75809	CYLINDER ASSY.	75872	ALL	
75820	GAGE ASSY.	LW-14782	ALL	
75822	SPRING	N.L.A.		
75827	HOSE ASSY.	73323	ALL	
75828	TUBE ASSY.	LW-12098-3-252	ALL	
75829	TUBE ASSY.	LW-12098-3-412	ALL	
75830	TUBE ASSY.	LW-12098-1-174	ALL	
75831	TUBE ASSY.	LW-12098-3-350	ALL	

**SECTION 1  
NUMERICAL PARTS HISTORY SUPERSEDURES**

ORIGINAL PART NO.	NOMENCLATURE	SUPERSEDING PART NO.	USE	REFERENCES
75832	TUBE ASSY.	LW-12098-1-092	ALL	
75833	TUBE ASSY.	75828	ALL	
75835	HARNESS ASSY.	LW-620465-2	ALL	
75838	GUIDE	LW-11958	ALL	S.I. 1256
75841	HOSE	LW-12783-6-194	ALL	S.I. 1274
75842	HOSE	LW-12783-6-220	ALL	S.I. 1274
75846	CABLE ASSY.	76992	ALL	
75847	CABLE ASSY.	76991	ALL	
75848	CABLE ASSY.	77096	ALL	NOTE 201
75849	CABLE ASSY.	77097	ALL	NOTE 201
75850	CABLE ASSY.	76990	ALL	
75851	SPACER	LW-10416	ALL	NOTE 201, S.I. 1239
75852	BUSHING	LW-11780		NOTE 201, S.I. 1239
75853	COVER	76956		NOTE 201
75854	CYLINDER ASSY.	75907	ALL	NOTE 274
75855	CABLE ASSY.	77029	ALL	NOTE 201
75856	CABLE ASSY.	77031	ALL	
75857	CABLE ASSY.	N.L.A.		
75858	CABLE ASSY.	77035	ALL	NOTE 201
75859	CABLE ASSY.	77030	ALL	NOTE 201
75861	SHIELD	77618		NOTE 201
75864	CABLE ASSY.	77021	ALL	NOTE 201
75868	CYLINDER ASSY.	LW-12417	ALL	NOTE 201
75872	CYLINDER ASSY.	74924	ALL	
75874	CYLINDER ASSY.	LW-12427	ALL	NOTE 201
75878	CABLE ASSY.	77032	ALL	NOTE 201
75879	PLUG	N.L.A.		
75882	CABLE ASSY.	77036	ALL	NOTE 201
75886	BAFFLE	N.L.A.		
75892	ADAPTER	77304	ALL	
75896	MAGNETO	LW-349305-1	ALL	
75897	MAGNETO	LW-349365-3	ALL	
75898	MAGNETO	LW-349290-4	ALL	
75899	MAGNETO	LW-349320-4	ALL	
75900	MAGNETO	LW-349310-2	ALL	
75901	MAGNETO	LW-349370-2	ALL	
75902	MAGNETO	LW-349370-1	ALL	
75907	CYLINDER ASSY.	LW-12419	ALL	NOTE 201
75909	HOUSING ASSY.	LW-13342		S.B. 384, NOTE 201
75910	CYLINDER ASSY.	75971		NOTE 201, NOTE 274
75911	CYLINDER ASSY.	LW-12995		NOTE 189, NOTE 201
75913	BUSHING	N.L.A.		



**SECTION 1  
NUMERICAL PARTS HISTORY SUPERSEDURES**

ORIGINAL PART NO.	NOMENCLATURE	SUPERSEDING PART NO.	USE	REFERENCES
75914	BUSHING	N.L.A.		
75915	ROCKER ASSY.	N.L.A.		
75916	ROCKER ASSY.	N.L.A.		
75919	HOUSING ASSY.	76116	ALL	NOTE 113, NOTE 204, S.I. 1218
75926	CYLINDER ASSY.	76647	ALL	
75927	CYLINDER ASSY.	76646	ALL	
75928	CYLINDER ASSY.	LW-19037 or 16A21005		NOTE 201, NOTE 286
75929	CYLINDER ASSY.	LW-19037	ALL	NOTE 201
75931	PIPE	78981	ALL	NOTE 201, S.I. 1216
75932	PIPE	78982	ALL	NOTE 201, S.I. 1216
75933	PIPE	78983	ALL	NOTE 201, S.I. 1216
75934	PIPE	78984	ALL	NOTE 201, S.I. 1216
75935	SHIELD	77625		NOTE 201
75938	COVER	76396	ALL	NOTE 201
75939	ADAPTER	77624	ALL	NOTE 113
75941	TAPE	N.L.A.		
75942	ADAPTER	N.L.A.		
75944	VALVE	53E19600	ALL	
75945	HOSE ASSY.	LW-13175-4-252	ALL	S.I. 1274
75947	HARNESS ASSY.	LW-620475-1	ALL	
75948	TEE	LW-13235		S.I. 1313, NOTE 201
75949	HOSE ASSY.	LW-12798-4S150	ALL	S.I. 1274
75951	NOZZLE	78344	ALL	NOTE 200
75953	SEAL	LW-12081	ALL	
75954	LOCKPLATE	LW-11602	ALL	NOTE 201
75961	PISTON	76966	ALL	NOTE 113
75962	BAFFLE	N.L.A.		
75964	COUPLING & CLUTCH ASSY.	76841	ALL	NOTE 201
75965	CLAMP	LW-18378	ALL	
75967	HARNESS ASSEMBLY	LW-620470-2	ALL	
75969	FUEL INJECTOR	N.L.A.		
75971	CYLINDER ASSY.	LW-12428	ALL	
75972	TUBE ASSY.	77419	ALL	
75976	CRANKSHAFT ASSY.	75040	ALL	
75977	CRANKSHAFT ASSY.	75039	ALL	
75991	VALVE-BY PASS	77830	ALL	NOTE 201
75994	NOZZLE	77796	ALL	
75995	FLANGE-SONIC NOZZLE	N.L.A.		
76004	PLATE	N.L.A.		
76013	ADAPTER ASSY.	77409	ALL	

**SECTION 1  
NUMERICAL PARTS HISTORY SUPERSEDURES**

ORIGINAL PART NO.	NOMENCLATURE	SUPERSEDING PART NO.	USE	REFERENCES
76017	NUT	N.L.A.		
76018	HOUSING ASSY.	77406	ALL	
76023	ELBOW	AN822-6, AN822-4-4		NOTE 190, NOTE 201
76025	CAMSHAFT ASSY.	LW-10068	ALL	
76026	BELT	37A19773-376	ALL	
76031	GUIDE	79046	ALL	
76040	CYLINDER ASSY.	75215		NOTE 191
76044	COUNTERWEIGHT ASSY	N.L.A.		
76045	MANIFOLD ASSY.	77797	ALL	
76046	MANIFOLD ASSY.	77798	ALL	
76048	GASKET	78056	ALL	S.I. 1204
76049	DRIVE ASSY.	LW-11337	ALL	NOTE 201
76050	NUT	71134	ALL	S.I. 1029
76051	NUT	71133	ALL	S.I. 1029
76052	ADAPTER	77755	ALL	
76055	GASKET	77439		NOTE 201
76057	GEAR ASSY.	N.L.A.		
76059	SPACER	78370	ALL	S.I. 1211
76061	BODY ASSY.	78531	ALL	NOTE 201
76063	CYLINDER ASSY.	77810	ALL	NOTE 201
76072	PLATE	N.L.A.		
76075	PLATE	N.L.A.		
76076	VALVE	LW-11082	ALL	
76077	GUIDE	LW-18753	ALL	
76081	VALVE	LW-19001	ALL	
76082	FUEL INJECTOR	77597		NOTE 192
76083	FUEL INJECTOR	75176, LW-10622		NOTE 193
76086	CYLINDER ASSY.	LW-12418	ALL	NOTE 201
76087	CYLINDER ASSY.	LW-12433	ALL	NOTE 201
76091	GEAR	N.L.A.		
76092	WASHER	N.L.A.		
76097	CAMSHAFT ASSY.	LW-18840	ALL	S.I. 1218
76098	CAMSHAFT ASSY.	LW-11754	ALL	S.I. 1218
76103	HOUSING ASSY.	21A21535-01	ALL	S.I. 1218
76104	HOUSING ASSY.	21A21535-02	ALL	S.I. 1218
76105	HOUSING ASSY.	21A21535-03	ALL	S.I. 1218
76106	HOUSING ASSY.	21A21535-04	ALL	S.I. 1218
76107	HOUSING ASSY.	21A21535-05	ALL	S.I. 1218
76108	HOUSING ASSY.	21A21535-06	ALL	S.I. 1218
76109	HOUSING ASSY.	21A21535-07	ALL	S.I. 1218
76110	HOUSING ASSY.	21A21533-04	ALL	S.I. 1218
76111	HOUSING ASSY.	21A21533-06	ALL	S.I. 1218

**SECTION 1**  
**NUMERICAL PARTS HISTORY SUPERSEDURES**

ORIGINAL PART NO.	NOMENCLATURE	SUPERSEDING PART NO.	USE	REFERENCES
76112	HOUSING ASSY.	21A21533-01	ALL	S.I. 1218
76113	HOUSING ASSY.	21A21533-02	ALL	S.I. 1218
76114	HOUSING ASSY.	21A21534-01	ALL	S.I. 1218
76116	HOUSING ASSY.	21A21534-02	ALL	S.I. 1218
76123	CRANKSHAFT ASSY.	LW-12697	ALL	
76124	SUPPORT ASSY.	N.L.A.		
76125	ELBOW	LW-12973	ALL	
76126	HOUSING ASSY.	LW-13346	ALL	S.B. 384, NOTE 201
76127	ELBOW ASSY.	LW-12794	ALL	NOTE 201, S.I. 1286
76128	BUSHING	LW-12972	ALL	NOTE 201
76136	HOUSING ASSY.	21A21534-04	ALL	S.I. 1218,
76137	HOUSING ASSY.	21A21534-05	ALL	S.I. 1218
76139	HOUSING ASSY.	21A21534-06	ALL	S.I. 1218
76141	HOUSING ASSY.	21A21534-07	ALL	S.I. 1218
76143	HOUSING ASSY.	21A21533-07	ALL	S.I. 1218
76144	HOUSING ASSY.	21A21533-08	ALL	S.I. 1218
76145	HOUSING ASSY.	21A21533-03	ALL	S.I. 1218
76147	TUBE ASSY.	N.L.A.		
76148	CAMSHAFT	LW-13908	ALL	S.I. 1218
76152	HOUSING ASSY.	21C21539-02	ALL	S.I. 1218
76153	HOUSING ASSY.	21C21541-01	ALL	S.I. 1218
76157	BELT	37A19773-382		NOTE 209
76163	VALVE ASSY.	77808	ALL	S.I. 1172
76164	BRACKET	N.L.A.		
76165	ALTERNATOR	N.L.A.		S.I. 1154
76167	ALTERNATOR ASSY.	79078	ALL	
76175	BAFFLE ASSY.	78692	ALL	
76179	PUSH ROD	N.L.A.		
76184	CYLINDER ASSY.	76187, LW-12716	ALL	NOTE 201, NOTE 285
76185	CYLINDER ASSY.	LW-13535	ALL	NOTE 201
76186	CYLINDER ASSY.	76187	ALL	NOTE 201
76187	CYLINDER ASSY.	LW-12717		NOTE 194
76188	FUEL PUMP	62D22566		S.B. 539A
76189	CYLINDER ASSY.	LW-13536	ALL	NOTE 201
76190	CYLINDER ASSY.	LW-13537	ALL	NOTE 201
76192	TUBE ASSY.	78376	ALL	NOTE 113
76198	SUPPORT	N.L.A.		
76210	STARTER	31A22473	ALL	
76211	STARTER	LW-14207	ALL	S.I. 1154, NOTE 201
76212	STARTER	LW-14208	ALL	S.I. 1154, NOTE 201
76213	STARTER	LW-14209	ALL	S.I. 1154, NOTE 201
76214	STARTER	LW-14210	ALL	S.I. 1154, NOTE 201

**SECTION 1  
NUMERICAL PARTS HISTORY SUPERSEDURES**

ORIGINAL PART NO.	NOMENCLATURE	SUPERSEDING PART NO.	USE	REFERENCES
76215	FUEL PUMP	LW-13917	ALL	S.I. 1309
76219	CRANKCASE ASSY.	77266	ALL	NOTE 201
76224	CRANKCASE ASSY.	LW-11040	ALL	NOTE 201
76228	BRACKET	N.L.A.		
76229	BRACKET	N.L.A.		
76230	BUSHING	N.L.A.		
76242	BUSHING	74389		NOTE 196
76257	CONTROLLER	77784	ALL	NOTE 201
76258	PISTON	75617	ALL	NOTE 197
76260	CYLINDER ASSY.	76187	ALL	NOTE 201
76266	VALVE ROCKER ASSY.	17F23346	ALL	
76268	MAGNETIC SWITCH	76775	ALL	
76275	SHAFT ASSY.	76833		NOTE 201
76276	SHAFT	76832		NOTE 201
76278	TUBE ASSY.	LW-13339		NOTE 198, S.I. 1297, NOTE 201
76280	GEAR	N.L.A.		
76286	SEAT VALVE ASSY.	76399	ALL	
76288	SPRING	N.L.A.		
76289	PLUNGER ASSY.	78289	ALL	S.B. 314
76290	PLUNGER ASSY.	78290	ALL	
76291	COVER	N.L.A.		
76298	CONNECTOR	N.L.A.		
76300	WASHER	N.L.A.		
76302	PUMP-GEROTOR	LW-15550		NOTE 199, NOTE 201
76307	TUBE ASSY.	N.L.A.		
76310	SHAFT	77401	ALL	NOTE 113
76311	SHAFTGEAR	LW-11659	ALL	
76322	FLANGE	LW-12022	ALL	
76323	DOWEL	N.L.A.		
76330	SHAFTGEAR ASSY.	N.L.A.		
76332	LOCKPLATE	72078	ALL	
76333	BUSHING	N.L.A.		
76334	BUSHING	N.L.A.		
76341	ALTERNATOR	78411		S.I. 1259
76345	GAGE ASSY.	LW-14742	ALL	
76347	VALVE	LW-13087		NOTE 201, S.I. 1262, S.I. 1302
76351	SPRING	LW-11798	ALL	
76352	SPRING	LW-11799	ALL	
76354	BODY ASSY.	76061, 78528		NOTE 5, NOTE 201, S.I. 1164
76361	TUBE ASSY.	N.L.A.		S.I. 1301

**SECTION 1  
NUMERICAL PARTS HISTORY SUPERSEDURES**

ORIGINAL PART NO.	NOMENCLATURE	SUPERSEDING PART NO.	USE	REFERENCES
76362	TUBE ASSY.	N.L.A.		S.I. 1301
76363	SUPPORT	77741	ALL	
76364	ELBOW & BSHG ASSY.	02A21377	ALL	
76369	CYLINDER ASSY.	75215		NOTE 201
76372	CYLINDER ASSY.	LW-13392	ALL	NOTE 201
76374	CRANKSHAFT ASSY.	LW-17163	ALL	
76380	HOSE ASSY.	LW-12877-6-413	ALL	
76381	HOSE ASSY.	N.L.A.		
76393	BEARING	LW-11576	ALL	NOTE 201, NOTE 202, S.I. 1225
76394	BEARING	N.L.A.		
76395	BEARING	LW-13210, LW-13211	ALL	NOTE-184
76396	COVER	N.L.A.		
76397	CYLINDER ASSY.	74218		NOTE 201
76411	HOSE ASSY.	LW-12799-6-070	ALL	S.I. 1274
76414	BRACKET	N.L.A.		
76428	CRANKSHAFT ASSY.	LW-17168	ALL	
76431	GAGE ASSY.	LW-14769	ALL	
76436	SUPPORT ASSY.	76628	ALL	
76441	ADAPTER	LW-12518	ALL	NOTE 203
76447	CAMSHAFT & GEAR ASSY.	LW-10069	ALL	
76448	PAINT ENGINE GRAY (1 QT)	05P22812	ALL	
76462	CONTROLLER	77740	ALL	
76466	SHAFT	N.L.A.		
76480	CYLINDER ASSY.	N.L.A.		SFN-880-2
76483	CYLINDER ASSY.	N.L.A.		SFN-880-2
76484	HOUSING ASSY.	77412		NOTE 201, NOTE 204
76486	FUEL PUMP	62D22567		S.B. 539A
76487	HOUSING ASSY.	78490		NOTE 201, NOTE 204, NOTE 494
76498	GEAR	LW-19101	ALL	
76502	MANIFOLD ASSY.	77548	ALL	NOTE 201
76511	SPACER ASSY.	LW-11983	ALL	NOTE 113
76511	SPACER ASSY.	N.L.A.	ALL	
76517	HOSE ASSY.	LW-12798-4-204	ALL	S.I. 1274
76518	MANIFOLD ASSY.	N.L.A.		NOTE 205
76519	PIPE ASSY.	N.L.A.		NOTE 205
76524	BAFFLE-TURBO OIL	N.L.A.		
76526	REGULATOR	N.L.A.		S.I. 1154
76529	PLUG	77808		S.I. 1172
76531	GASKET	LW-12517	ALL	

**SECTION 1  
NUMERICAL PARTS HISTORY SUPERSEDURES**

ORIGINAL PART NO.	NOMENCLATURE	SUPERSEDING PART NO.	USE	REFERENCES
76533	BRACKET	LW-13039	ALL	
76535	HOSE ASSY.	77287	ALL	
76536	STARTER	N.L.A.		
76537	FUEL PUMP	LW-13909		NOTE 201, NOTE 206
76538	SLEEVE	77607	ALL	
76541	PLUG	LW-14050	ALL	
76543	HARNESS ASSY.	LW-620505-1, LW-10177	ALL	NOTE 207
76544	HARNESS ASSY.	LW-620510-1, LW-10177	ALL	NOTE 207
76545	COVER	N.L.A.		
76547	ALTERNATOR	76496	ALL	
76549	ADAPTER ASSY.	N.L.A.		
76550	HOUSING ASSY.	LW-12258	ALL	
76552	CYLINDER ASSY.	LW-13394	ALL	
76555	TUBE ASSY.	LW-18668	ALL	
76583	BRACKET	78148	ALL	NOTE 113
76585	CRANKCASE ASSY.	78215	ALL	NOTE 201
76586	CRANKCASE ASSY.	78216	ALL	NOTE 201
76588	CRANKCASE ASSY.	78217	ALL	NOTE 201
76589	CRANKCASE ASSY.	78218	ALL	NOTE 201
76590	CRANKCASE ASSY.	78220	ALL	NOTE 201
76591	CRANKCASE ASSY.	78226	ALL	NOTE 201
76592	CRANKCASE ASSY.	78228	ALL	NOTE 201
76593	CRANKCASE ASSY.	78227	ALL	NOTE 201
76594	CRANKCASE ASSY.	78232	ALL	NOTE 201
76595	CRANKCASE ASSY.	78229	ALL	NOTE 201
76596	CRANKCASE ASSY.	78240	ALL	NOTE 201
76597	CRANKCASE ASSY.	N.L.A.		
76598	CRANKCASE ASSY.	78242	ALL	NOTE 201
76599	CRANKCASE ASSY.	78213	ALL	NOTE 201
76600	CRANKCASE ASSY.	78214	ALL	NOTE 201
76601	CRANKCASE ASSY.	78219	ALL	NOTE 201
76602	CRANKCASE ASSY.	78221	ALL	NOTE 201
76603	CRANKCASE ASSY.	78230	ALL	NOTE 201
76604	CRANKCASE ASSY.	78233	ALL	NOTE 201
76605	CRANKCASE ASSY.	78222	ALL	NOTE 201
76606	CRANKCASE ASSY.	78223	ALL	NOTE 201
76607	CRANKCASE ASSY.	78224	ALL	NOTE 201
76608	CRANKCASE ASSY.	78225	ALL	NOTE 201
76610	CRANKCASE ASSY.	78234	ALL	NOTE 201
76611	CRANKCASE ASSY.	78236	ALL	NOTE 201
76612	CRANKCASE ASSY.	78243	ALL	NOTE 201
76613	CRANKCASE ASSY.	78244	ALL	NOTE 201

**SECTION 1  
NUMERICAL PARTS HISTORY SUPERSEDURES**

ORIGINAL PART NO.	NOMENCLATURE	SUPERSEDING PART NO.	USE	REFERENCES
76615	SLEEVE	N.L.A.		
76618	CRANKCASE ASSY.	77265	ALL	NOTE 201
76623	SUPPORT	N.L.A.		
76629	COVER	LW-10468	ALL	NOTE 201
76633	ASSY.-AIR VALVE PLATE	LW-10959	ALL	NOTE 201
76634	VALVE ASSY.	LW-10468	ALL	NOTE 201
76639	IGN. HARNESS ASSY.	LW-620475-2	ALL	
76644	CYLINDER ASSY.	N.L.A.		SFN-880-2
76645	CYLINDER ASSY.	LW-19036	ALL	NOTE 201
76646	CYLINDER ASSY.	LW-19035	ALL	NOTE 201
76647	CYLINDER ASSY.	N.L.A.	ALL	SFN-880-2
76648	GROMMET	N.L.A.		
76649	VALVE ASSY.	76649-1	ALL	S.B. 450
76650	ELEMENT	LW-11198	ALL	
76652	LOCKPLATE	N.L.A.		
76662	CYLINDER ASSY.	74218	ALL	
76663	TURBOCHARGER	LW-12689	ALL	NOTE 201, S.I. 1286
76668	HOSE	LW-12879-6-082	ALL	S.I. 1274
76669	CONTROLLER	LW-11950	ALL	
76674	ELBOW-THERMOCOUPLE	LW-10640	ALL	
76679	HOSE	LW-12879-6-060	ALL	S.I. 1274
76680	GASKET	77945	ALL	
76681	COVER ASSY.	77946	ALL	
76684	GEAR ASSY.	N.L.A.		
76686	ADAPTER ASSY.	N.L.A.		
76690	CRANKSHAFT ASSY.	LW-17532	ALL	
76691	GASKET	LW-12795	ALL	SSP-885-1, NOTE 210
76699	SWITCH	76776	ALL	
76704	ELBOW	AN822-6, AN823-6		S.I. 1313
76705	PIPE	LW-16486	ALL	
76706	PIPE	LW-16767		NOTE 211
76709	PIPE	LW-14449	ALL	
76710	PIPE	LW-16487	ALL	
76711	CLAMP	LW-16266-31-75		S.I. 1313
76712	TUBE ASSY.	61581-41	ALL	
76715	NUT-PROP SHAFT	N.L.A.		
76716	SPACER	N.L.A.		
76718	GROMMET	N.L.A.		
76719	FERRULE	LW-11108	ALL	NOTE 201
76721	ELBOW	LW-10389	ALL	
76722	ELBOW	LW-10388	ALL	

**SECTION 1  
NUMERICAL PARTS HISTORY SUPERSEDURES**

ORIGINAL PART NO.	NOMENCLATURE	SUPERSEDING PART NO.	USE	REFERENCES
76723	CABLE - IGNITION	N.L.A.	ALL	
76724	SLEEVE - IGN. CABLE	N.L.A.	ALL	
76725	SLEEVE - IGN. CABLE	N.L.A.	ALL	
76726	INNER SLEEVE	LW-10400	ALL	
76727	INNER SLEEVE	N.L.A.		
76728	SLEEVE	N.L.A.		
76729	RING	N.L.A.		
76732	VENTILATOR PLUG	N.L.A.		
76737	GEAR ASSY.	N.L.A.		
76739	COVER ASSY.	77667	ALL	NOTE 201
76743	GEAR ASSY.	N.L.A.		
76744	PLATE	N.L.A.		
76749	CABLE ASSY.	LW-11307	ALL	
76750	GROMMET	LW-11120	ALL	
76753	SLEEVING RING	N.L.A.		NOTE 201
76754	PLATE	N.L.A.	ALL	
76755	COLLAR	LW-10812		NOTE 201, NOTE 212
76757	NUT	N.L.A.		
76762	HOUSING ASSY.	56A21692-07	ALL	
76765	BOLT	LW-31S4.10		NOTE 201, S.I. 1384
76765	BOLT	N.L.A.		
76766	BOLT	STD-2142	ALL	NOTE 201, S.I. 1384
76766	BOLT	N.L.A.		
76767	HOUSING ASSY.	77998	ALL	
76773	SWITCH	LW-12083	ALL	
76775	SWITCH	LW-12085	ALL	NOTE 213
76776	SWITCH	LW-12086	ALL	
76777	MANIFOLD ASSY.	LW-13151		NOTE 214
76782	BRACKET	76796	ALL	S.I. 1298
76783	BRACKET	76790	ALL	S.I. 1298
76786	GEAR	13S19648	ALL	S.B. 475
76787	ROLLER	73648	ALL	S.I. 1012
76789	GAGE ASSY.	LW-14728	ALL	
76790	BRACKET	12A19770	ALL	NOTE 200, S.I. 1408
76792	ROD	LW-18020	ALL	
76793	ROD	LW-18248	ALL	
76794	PLATE	LW-10119	ALL	
76795	ADAPTER ASSY.	71675	ALL	
76796	BRACKET	12A19771	ALL	NOTE 200, S.I. 1408
76799	CRANKSHAFT ASSY.	LW-17752	ALL	
76800	HOUSING ASSY.	78494	ALL	NOTE 204, NOTE 495, S.I. 1218
76801	CRANKSHAFT ASSY.	LW-17777	ALL	



**SECTION 1  
NUMERICAL PARTS HISTORY SUPERSEDURES**

ORIGINAL PART NO.	NOMENCLATURE	SUPERSEDING PART NO.	USE	REFERENCES
76806	HARNESS ASSY.	N.L.A.		
76817	INJECTOR	61J21971		NOTE 215
76818	LINK	LW-11955	ALL	NOTE 113
76822	HOSE	LW-13175-4-202	ALL	S.I. 1274
76825	CABLE ASSY.	78536	ALL	
76826	HOUSING ASSY.	77510		NOTE 204, S.I. 1218
76831	HARNESS ASSY.	N.L.A.		
76835	BUSHING	N.L.A.		
76836	THRUST WASHER	N.L.A.		
76838	PLATE	N.L.A.		
76839	SHAFT	N.L.A.		
76841	COUPLING ASSY.	LW-11588	ALL	
76842	COUPLING ASSY.	N.L.A.		
76843	PLATE	N.L.A.	ALL	
76844	PLATE	N.L.A.	ALL	
76847	CABLE ASSY.	LW-11302	ALL	
76852	GROMMET	N.L.A.		
76853	PLATE	N.L.A.		
76855	ELBOW	LW-10390	ALL	
76857	SUMP ASSY.	N.L.A.	ALL	
76860	SHAFT ASSY.	N.L.A.		
76866	OIL PUMP ASSY.	LW-13025		
76869	TUBE ASSY.	N.L.A.		
76870	ELBOW	78523		NOTE 201
76871	HARNESS ASSY.	78546	ALL	
76875	TUBE ASSY.	LW-11838		NOTE 201
76883	CRANKCASE ASSY.	N.L.A.		
76885	HARNESS ASSY.	LW-M-2454, LW-M-2455, LW-M-2376 or LW-721009-1	ALL	NOTE 250
76886	CRANKCASE ASSY.	77748	ALL	
76888	GASKET	N.L.A.		
76889	ADAPTER	LW-14465	ALL	
76890	RING	74241	ALL	
76897	GAGE ASSY.	LW-14729	ALL	
76899	SUPPORT ASSY.	N.L.A.		
76906	BRACKET	07A21443	ALL	NOTE 201
76907	LINK	LW-10729	ALL	
76917	HARNESS ASSY.	LW-M-2409, LW-M-2410, LW-M-2375 or LW-721011-1	ALL	NOTE 250
76918	ADAPTER TACH	N.L.A.		
76919	HARNESS ASSY.	77514	ALL	
76925	SHAFT-IDLER GEAR	N.L.A.		
76926	HOSE ASSY.	LW-13193-6-160	ALL	S.I. 1274

**SECTION 1  
NUMERICAL PARTS HISTORY SUPERSEDURES**

ORIGINAL PART NO.	NOMENCLATURE	SUPERSEDING PART NO.	USE	REFERENCES
76927	HOUSING ASSY.	21A21533-04	ALL	
76930	SUPPORT ASSY.	LW-11205	ALL	NOTE 201
76936	COVER	LW-13026	ALL	NOTE 201
76940	SEAL	77377	ALL	
76943	GUIDE	16R19730, 61681		NOTE 222
76949	MAGNETO	LW-16364	ALL	
76950	MAGNETO	LW-16366	ALL	
76951	CRANKSHAFT ASSY.	LW-17063	ALL	
76954	CRANKCASE ASSY.	78206	ALL	NOTE 201
76955	CABLE ASSY.	78921	ALL	
76960	HARNESS ASSY.	LW-620515-1	ALL	
76961	CLAMP	66M21195	ALL	
76963	OIL PUMP ASSY.	N.L.A.		
76972	HOUSING ASSY.	78100	ALL	
76974	TUBE ASSY.	73796	ALL	
76982	CABLE PLATE IGN.	N.L.A.	ALL	
76983	GROMMET	N.L.A.		
76988	MANIFOLD ASSY.	78381	ALL	
76990	CABLE ASSY.	78538	ALL	
76991	CABLE ASSY.	78542	ALL	
76992	CABLE ASSY.	78539	ALL	
76993	CABLE ASSY.	N.L.A.		
76994	SPRING	LW-11800	ALL	S.I. 1240
76995	CABLE ASSY.	78540	ALL	
76996	SHAFTGEAR-HYD & VAC PUMP DRIVE	N.L.A.		
76999	CRANKSHAFT ASSY.	LW-17064	ALL	
77000	TUBE ASSY.	61581-40	ALL	
77001	BUSHING	77001-A	ALL	N.L.A.
77002	COUNTERWEIGHT ASSY	N.L.A.		
77003	FUEL INJECTOR	LW-11924		NOTE 224
77006	HARNESS ASSY.	LW-620515-2	ALL	
77009	SUPPORT BRACKET	N.L.A.		
77010	SUPPORT BRACKET	N.L.A.		
77013	CABLE ASSY.	N.L.A.		
77015	GEAR ASSY- GENERATOR & STARTER	N.L.A.		
77017	CABLE ASSY.	LW-11550	ALL	NOTE 201
77018	CABLE ASSY.	LW-11549	ALL	NOTE 201
77019	CABLE ASSY.	N.L.A.		
77021	CABLE ASSY.	78549	ALL	
77022	TUBE	LW-15849	ALL	NOTE 201, S.I. 1190

**SECTION 1  
NUMERICAL PARTS HISTORY SUPERSEDURES**

ORIGINAL PART NO.	NOMENCLATURE	SUPERSEDING PART NO.	USE	REFERENCES
77023	TUBE	LW-15850		NOTE 201, S.I. 1190
77024	TUBE	LW-16789, LW-16790		NOTE 201, NOTE 225
77025	TRANSITION ASSY.	LW-12127		NOTE 201, S.I. 1190
77026	TUBE	LW-16792, LW-16793		NOTE 201, NOTE 225
77029	CABLE ASSY.	78535	ALL	NOTE 201
77030	CABLE ASSY.	78537	ALL	NOTE 201
77031	CABLE ASSY.	77030	ALL	NOTE 201
77032	CABLE ASSY.	78545	ALL	NOTE 201
77033	BEARING	LW-11020, LW-11021, LW-10124		NOTE 113, NOTE 226, S.I. 1225
77034	BEARING	18D19393		NOTE 113, NOTE 226
77035	CABLE ASSY.	78543	ALL	NOTE 201
77036	CABLE ASSY.	78544	ALL	NOTE 201
77037	CRANKSHAFT ASSY.	LW-17131	ALL	
77038	BRACKET	N.L.A.		
77040	SPACER	N.L.A.		
77041	BRACKET	77838	ALL	
77042	BRACKET	77839	ALL	
77043	SUPPORT	77904	ALL	
77044	BEARING	LW-13884	ALL	
77047	CRANKCASE ASSY.	LW-11041	ALL	NOTE 201, S.B. 326
77048	CRANKCASE ASSY.	LW-11043	ALL	NOTE 201, S.B. 326
77051	CRANKCASE ASSY.	LW-11044	ALL	NOTE 201, S.B. 326
77052	CRANKCASE ASSY.	LW-11042	ALL	NOTE 201, S.B. 326
77054	CRANKCASE ASSY.	77262	ALL	NOTE 201
77061	PIPE	78621	ALL	NOTE 201, S.I. 1216
77062	PIPE	78622	ALL	
77063	PIPE	78623	ALL	
77064	PIPE	78624	ALL	
77066	TURBOCHARGER	LW-10356	ALL	
77068	DAMPER	N.L.A.		
77093	CABLE ASSY.	LW-M-2472, LW-M-2473, LW-M-2376 or LW-721017-1	ALL	NOTE 250
77095	CABLE ASSY.	78541	ALL	NOTE 201
77096	CABLE ASSY.	78547	ALL	NOTE 201
77097	CABLE ASSY.	78548	ALL	NOTE 201
77118	SHAFT-OIL PUMP IDLER	N.L.A.		
77123	TUBE	N.L.A.		
77125	ADAPTER ASSY.	N.L.A.		
77132	CRANKCASE COVER ASSY-LOWER	N.L.A.		
77135	CAMSHAFT ASSY	N.L.A.		
77160	GUIDE	74230	ALL	S.I. 1256

**SECTION 1  
NUMERICAL PARTS HISTORY SUPERSEDURES**

ORIGINAL PART NO.	NOMENCLATURE	SUPERSEDING PART NO.	USE	REFERENCES
77162	SPACER	N.L.A.		
77165	SUPPORT	78840	ALL	
77166	STRUT	77817	ALL	NOTE 201
77167	STRUT	N.L.A.		
77168	BRACKET	LW-10612	ALL	
77169	BRACKET	N.L.A.		
77170	BRACKET	LW-10168	ALL	NOTE 201
77180	SPACER	73161	ALL	
77187	HARNESS ASSY.	LW-620520-1	ALL	NOTE 201
77192	CRANKSHAFT ASSY.	LW-17754	ALL	
77193	CRANKSHAFT ASSY.	LW-17779	ALL	
77199	ROD	LW-12309	ALL	
77210	STRUT	LW-10167	ALL	
77212	BRACKET	77511	ALL	
77217	GEAR ASSY-FUEL PUMP DRIVE	N.L.A.		
77224	PLUG	N.L.A.		
77235	CLIP	76711	ALL	S.I. 1313
77240	COVER	LW-15484-15	ALL	
77247	TURBOCHARGER	LW-10357	ALL	NOTE 113
77260	INJECTOR	61J21970		NOTE 227
77262	CRANKCASE ASSY.	78238	ALL	NOTE 201
77263	CRANKCASE ASSY.	LW-10141	ALL	NOTE 201
77264	CRANKCASE ASSY.	LW-10142	ALL	NOTE 201
77265	CRANKCASE ASSY.	LW-10143	ALL	NOTE 201
77266	CRANKCASE ASSY.	76883	ALL	NOTE 201
77274	HARNESS ASSY.	76885 or LW-620470-3	ALL	
77277	CARBURETOR	LW-10171	ALL	NOTE 113
77279	CARBURETOR	72394, LW-16559		NOTE 228
77287	HOSE ASSY.	LW-12799-6S144		HIO-360-G1A
77288	CYLINDER ASSY.	LW-13538	ALL	NOTE 201
77289	BRACKET	12A19770	ALL	NOTE 200, S.I. 1408
77290	BRACKET	77289	ALL	S.I. 1298
77291	BRACKET	12A19770	ALL	NOTE 200, S.I. 1408
77292	BRACKET	77291	ALL	S.I. 1298
77293	INJECTOR	N.L.A.		
77295	ADAPTER ASSY.	LW-11207		NOTE 200
77296	BOLT ASSY.	LW-12263		NOTE 201, S.B. 337
77299	SEAT	LW-13441		NOTE 201, S.I. 1312
77306	HOSE ASSY.	LW-13186-4-224	ALL	S.I. 1274
77308	HARNESS ASSY.	78534	ALL	NOTE 201
77313	IMPELLER	LW-12897	ALL	NOTE 201, S.B. 524
77338	HOUSING ASSY.	LW-11379	ALL	

**SECTION 1  
NUMERICAL PARTS HISTORY SUPERSEDURES**

ORIGINAL PART NO.	NOMENCLATURE	SUPERSEDING PART NO.	USE	REFERENCES
77344	ALTERNATOR	78308	ALL	
77345	REGULATOR	LW-10185	ALL	NOTE 113, NOTE 229
77346	ALTERNATOR	78312	ALL	
77347	REGULATOR	LW-10179	ALL	NOTE 113, NOTE 230
77348	CABLE ASSY.	78551	ALL	NOTE 201
77349	HARNESS ASSY.	78551 or LW-620510-2	ALL	
77350	HARNESS ASSY.	LW-620470-4	ALL	
77360	CRANKCASE ASSY.	N.L.A.		
77361	CRANKCASE ASSY.	N.L.A.		
77363	LEVER	LW-10796		NOTE 231
77365	CONTROL SHAFT ASSY.	LW-10797	ALL	
77369	TUBE ASSY.	LW-10049, LW-11925	ALL	NOTE 232
77377	SEAL	LW-11997	ALL	
77378	SUPPORT ASSY.	78771	ALL	
77380	BRACKET	N.L.A.		
77387	CRANKSHAFT ASSY.	77887	ALL	
77388	TUBE ASSY.	61581-38	ALL	
77389	TUBE ASSY.	75832	ALL	
77390	TUBE ASSY.	61581-39	ALL	
77391	TUBE ASSY.	61581-37	ALL	
77392	TUBE ASSY.	61581-36	ALL	
77398	GAGE ASSY.	LW-14744	ALL	
77399	GAGE ASSY.	LW-14749	ALL	
77400	CRANKSHAFT ASSY.	77886	ALL	
77401	SHAFT	LW-12487	ALL	
77406	HOUSING ASSY.	N.L.A.		
77409	ADAPTER ASSY.	N.L.A.		
77412	HOUSING ASSY.	21A21533-02	ALL	
77415	WASHER	N.L.A.		
77417	CRANKSHAFT ASSY.	LW-17173	ALL	
77419	TUBE ASSY.	N.L.A.		
77420	BRACKET	77311	ALL	S.I. 1298
77421	BRACKET	77312	ALL	S.I. 1298
77422	HOUSING ASSY.	21A21533-02	ALL	
77426	BAFFLE ASSY.	N.L.A.		
77428	PIPE	N.L.A.		
77430	PIPE	N.L.A.		
77434	PIPE	N.L.A.		
77438	GEAR ASSY.	LW-16304	ALL	S.I. 1252
77443	FUEL PUMP	62D22568		S.B. 539A
77452	HOSE ASSY.	LW-12799-6S180	ALL	S.I. 1274
77468	CLIP	LW-16266-25-88	ALL	

**SECTION 1  
NUMERICAL PARTS HISTORY SUPERSEDURES**

ORIGINAL PART NO.	NOMENCLATURE	SUPERSEDING PART NO.	USE	REFERENCES
77469	HOSE ASSY.	LW-13193-6-322	ALL	S.I. 1274
77470	ALTERNATOR	78310	ALL	
77476	CYLINDER ASSY.	LW-13393	ALL	NOTE 201
77479	STRUT	N.L.A.		
77480	STRUT	N.L.A.		
77499	TRANSITION ASSY.	N.L.A.		
77506	MAGNETIC CATCH	78164	ALL	NOTE 201
77510	HOUSING ASSY.	21A21533-09	ALL	
77511	STRUT	N.L.A.		
77514	CABLE ASSY.	LW-M-2457, LW-M-2458, LW-M-2376 or LW-721018-1	ALL	NOTE 250
77516	HOUSING ASSY.	N.L.A.		
77519	HOSE ASSY.	74532	ALL	
77537	ADAPTER ASSY.	N.L.A.		
77537	ADAPTER ASSY.	N.L.A.		
77539	NOZZLE ASSY.	LW-11980	ALL	NOTE 200, S.I. 1231
77543	FUEL INJECTOR	77597	ALL	
77544	CYLINDER ASSY.	LW-12988	ALL	NOTE 201, NOTE 234
77548	MANIFOLD ASSY.	78805		NOTE 235
77551	VALVE ASSY.	N.L.A.		
77552	REGULATOR	N.L.A.		S.I. 1154
77554	LINK	77973	ALL	
77560	BUTTON	N.L.A.		
77562	GAGE ASSY.	LW-14753	ALL	
77565	SUMP ASSY.	78778	ALL	
77567	TURBOCHARGER	LW-11564	ALL	NOTE 201
77568	PULLEY	LW-10516	ALL	NOTE 201
77573	CABLE ASSY.	LW-11301	ALL	
77576	BEARING	LW-12228	ALL	S.I. 1032
77579	SUPPORT ASSY.	LW-16471	ALL	
77585	CARBURETOR	N.L.A.		
77589	CRANKCASE ASSY.	LW-11031	ALL	NOTE 201
77598	HEAT SHIELD	78382	ALL	
77601	CYLINDER ASSY.	76644	ALL	
77603	CYLINDER ASSY.	N.L.A.		
77617	CRANKSHAFT ASSY.	LW-17678	ALL	
77618	SHIELD	LW-10753	ALL	NOTE 201
77619	CABLE ASSY.	LW-11306	ALL	NOTE 201
77620	HOUSING ASSY.	21A21533-10	ALL	
77622	SUPPORT	N.L.A.		
77625	SHIELD	LW-11446	ALL	NOTE 201
77627	ELBOW	LW-14259		NOTE 236
77628	WASHER	AN960-1216	ALL	NOTE 201

**SECTION 1  
NUMERICAL PARTS HISTORY SUPERSEDURES**

ORIGINAL PART NO.	NOMENCLATURE	SUPERSEDING PART NO.	USE	REFERENCES
77642	HOUSING ASSY.	LW-16899	ALL	NOTE 113
77647	SUMP ASSY.	LW-11155	ALL	
77651	HOUSING ASSY.	21A21533-21	ALL	
77652	HARNESS ASSY.	LW-11309	ALL	
77654	SPACER			S.B. 417
77663	BRACKET	N.L.A.		
77672	LIFTER	LW-14473	ALL	S.I. 1011
77674	TUBE	LW-12288	ALL	
77675	TUBE	LW-11718	ALL	
77676	VALVE ASSY.	N.L.A.		
77692	TURBOCHARGER	77824	ALL	S.B.391
77693	NOZZLE ASSY.	77539	ALL	NOTE 200
77700	BRACKET	N.L.A.		
77706	TUBE	N.L.A.		S.B. 362
77714	OIL COOLER	LW-10025		
77715	SHAFT GEAR SUPPORT-SONIC	LW-12168	ALL	
77716	NOZZLE	N.L.A.		
77719	SHAFT	LW-11518, LW-14511		NOTE 237, S.I. 1338
77728	ADAPTER ASSY.	LW-12170	ALL	
77731	REDUCTION GEAR ASSY.	LW-11190		NOTE 201, S.B. 319
77734	BELT	37B19774-331	ALL	
77735	REGULATOR	N.L.A.		S.I. 1154
77736	ALTERNATOR	LW-10009		S.I. 1154, NOTE 201
77739	DRIVE ASSY.	LW-12571	ALL	NOTE 201
77740	CONTROLLER	LW-14297	ALL	N.L.A.
77742	MAG. & HARNESS ASSY.	LW-15865, LW-16365		NOTE 238, S.I. 1357, S.I. 1362, S.I.1385
77743	HARNESS ASSY.	67P20406, LW-15866, LW-16892		NOTE 239
77744	MAG. & HARNESS ASSY.	LW-16367		
77745	HARNESS ASSY.	67P20407, LW-15868, LW- 16893		NOTE 240
77748	CRANKCASE ASSY.	LW-10145	ALL	NOTE 201
77751	ALTERNATOR	78314	ALL	S.I. 1154
77753	GUIDE	79046	ALL	NOTE 113
77754	ROD END	LW-10989	ALL	NOTE 113
77755	ADAPTER	LW-13566		S.I. 1297, S.B. 334, NOTE 201
77757	BRACKET	LW-18759	ALL	NOTE 201
77759	CONTROLLER	LW-10098	ALL	
77763	ALTERNATOR	78309	ALL	
77764	ALTERNATOR	78311	ALL	

**SECTION 1  
NUMERICAL PARTS HISTORY SUPERSEDURES**

ORIGINAL PART NO.	NOMENCLATURE	SUPERSEDING PART NO.	USE	REFERENCES
77765	ALTERNATOR	78313	ALL	
77766	ALTERNATOR	78315	ALL	
77772	GAGE ASSY.	LW-14734	ALL	
77775	TUBE ASSY.	N.L.A.		
77776	HOUSING ASSY.	68792	ALL	
77779	BRACKET	78163	ALL	NOTE 201
77784	CONTROLLER	78630	ALL	NOTE 201
77795	BELT	N.L.A.		
77797	MANIFOLD ASSY.	77943	ALL	
77798	MANIFOLD ASSY.	77944	ALL	
77810	CYLINDER ASSY.	79050	ALL	NOTE 201
77812	DUCT	LW-11720	ALL	NOTE 201
77815	HOSE ASSY.	LW-12799-6-100	ALL	S.I. 1274
77817	STRUT	N.L.A.		
77824	TURBOCHARGER	N.L.A.		
77830	VALVE	LW-12778	ALL	S.I. 1416
77833	ADAPTER ASSY.	LW-15851	ALL	NOTE 201
77834	ADAPTER ASSY.	LW-15852	ALL	NOTE 201
77835	DRIVE ASSY.	LW-14512	ALL	S.I. 1338
77838	BRACKET	N.L.A.		
77844	HOSE ASSY.	LW-12877-6-142	ALL	S.I. 1274
77846	HOUSING ASSY.	LW-11984	ALL	
77851	CRANKSHAFT ASSY.	LW-17172	ALL	
77853	FILTER HOUSING ASSY.	LW-13215	ALL	S.I. 1172
77854	GASKET	LW-12515	ALL	
77855	BRACKET	LW-11205	ALL	
77857	PIN-PISTON	LW-13445	ALL	
77858	COUPLING ASSY.	LW-14464 & LW-14472	ALL	S.I. 1330
77870	SHAFT	N.L.A.		
77876	SHAFT	LW-14021	ALL	S.I. 1343
77879	STARTER	31B22462	ALL	S.I. 1154
77881	PIPE	79001	ALL	NOTE 201
77883	PIPE	79003	ALL	NOTE 201
77884	PIPE	79004	ALL	NOTE 201
77886	CRANKSHAFT ASSY.	LW-17363	ALL	
77887	CRANKSHAFT ASSY.	78989	ALL	NOTE 201
77888	CARBURETOR	N.L.A.		
77896	GASKET	68129	ALL	
77899	PUMP ASSY.	LW-13024	ALL	
77901	CONTROL SHAFT ASSY.	N.L.A.		
77907	SPACER	74887	ALL	



**SECTION 1  
NUMERICAL PARTS HISTORY SUPERSEDURES**

ORIGINAL PART NO.	NOMENCLATURE	SUPERSEDING PART NO.	USE	REFERENCES
77908	TURBOCHARGER	LW-11975	ALL	
77909	TUBE ASSY.	LW-11886	ALL	
77915	ELBOW	02A21380	ALL	
77919	TUBE ASSY.	N.L.A.		
77920	FUEL INJECTOR	N.L.A.		
77921	TUBE ASSY.	N.L.A.		
77943	MANIFOLD ASSY.	N.L.A.		
77944	MANIFOLD ASSY.	N.L.A.		
77946	COVER ASSY.	76629 & 77945	ALL	NOTE 241
77947	TUBE ASSY.	N.L.A.		
77952	GAGE ASSY.	LW-14725	ALL	
77953	GAGE ASSY.	LW-14726	ALL	
77955	SLEEVE	LW-12289	ALL	NOTE 201
77956	HOSE ASSY.	LW-12799-6-074	ALL	S.I. 1274
77957	HOSE ASSY.	LW-12799-6-270	ALL	S.I. 1274
77958	HOSE ASSY.	LW-12798-4-340	ALL	S.I. 1274
77965	SUMP ASSY.	LW-14257	ALL	
77979	HOSE ASSY.	LW-12784-4-260	ALL	S.I. 1274
77984	BY- PASS VALVE	N.L.A.		
77985	MAGNETO	LW-51360-45	ALL	
77987	BEARING	N.L.A.		
77994	BEARING	N.L.A.		
77995	PLATE	N.L.A.		
77997	HOUSING ASSY.	21A21533-05	ALL	
78004	PIPE	N.L.A.		
78005	PIPE-EXHAUST	N.L.A.		
78008	PIPE-EXHAUST	N.L.A.		
78012	PIPE	N.L.A.		
78015	PIPE	LW-12624	ALL	NOTE 200, NOTE 242
78016	PIPE	LW-12623	ALL	NOTE 200, NOTE 242
78017	PIPE	LW-12622	ALL	NOTE 200, NOTE 242
78018	PIPE	LW-12621	ALL	NOTE 200, NOTE 242
78021	PIPE ASSY.	LW-12624	ALL	NOTE 200, NOTE 242
78022	PIPE ASSY.	LW-12623	ALL	NOTE 200, NOTE 242
78023	PIPE ASSY.	LW-12622	ALL	NOTE 200, NOTE 242
78024	PIPE ASSY.	LW-12621	ALL	NOTE 200, NOTE 242
78026	CABLE ASSY.	LW-11194	ALL	
78028	ROD ASSY.	LW-10725		NOTE 243
78029	ROD ASSY.	LW-10726		NOTE 243
78030-S	ROD ASSY.	LW-10718		NOTE 243
78030-H5	ROD ASSY.	N.L.A.		
78032	LOCK RING	N.L.A.		NOTE 242

**SECTION 1  
NUMERICAL PARTS HISTORY SUPERSEDURES**

ORIGINAL PART NO.	NOMENCLATURE	SUPERSEDING PART NO.	USE	REFERENCES
78035	HOSE ASSY.	LW-12784-4-310	ALL	S.I. 1274
78037	HOSE ASSY.	LW-12799-6S240	ALL	S.I. 1274
78039	HOUSING ASSY.	21A21533-22	ALL	
78050	HOUSING ASSY.	N.L.A.		
78051	PIPE	LW-11216	ALL	NOTE 201
78052	TRANSITION	LW-15417	ALL	
78057	ELBOW	LW-12176	ALL	NOTE 201
78058	PIPE	LW-16492	ALL	NOTE 244
78059	OVERVOLTAGE RELAY	N.L.A.		S.I. 1154
78060	OVERVOLTAGE RELAY	N.L.A.		S.I. 1154
78064	FLANGE	LW-16491	ALL	NOTE 244
78067	ELBOW	02A21376	ALL	S.B. 494, S.B. 497
78076	PIPE	79002	ALL	NOTE 201
78080	COUPLING	LW-12093-4	ALL	S.I. 1238
78081	COUPLING	LW-12093-5, LW-12045		NOTE 245, S.I. 1238
78082	FLANGE-VBAND COUPLING	N.L.A.		
78084	GASKET	78083		NOTE 246
78094	TURBOCHARGER	77692	ALL	
78097	TANK	LW-10616	ALL	NOTE 201
78098	TUBE	LW-10715	ALL	NOTE 113
78100	HOUSING ASSY.	LW-16956	ALL	NOTE 201
78109	MANIFOLD	LW-18860		NOTE 247
78125	MAGNETO	LW-349305-5	ALL	
78126	TUBE ASSY.	02P22339	ALL	
78134	CRANKSHAFT ASSY.	LW-17171	ALL	
78139	SUMP ASSY.	LW-12618	ALL	NOTE 201, NOTE 242
78148	BRACKET	78459	ALL	NOTE 201
78151	BRACKET	76783	ALL	
78163	BRACKET	78162		NOTE 201
78163	BRACKET	N.L.A.		
78171	ELBOW	N.L.A.		
78191	ELBOW	N.L.A.		
78194	SHAFT GEAR	N.L.A.		
78195	ADAPTER ASSY.	LW-19063	ALL	
78196	DRIVE ASSY.	LW-19064	ALL	
78199	BUSHING-TACHOMETER DRIVE	N.L.A.		
78200	SHAFT ASSY.	LW-11678	ALL	NOTE 201
78201	ADAPTER ASSY.	LW-11679	ALL	NOTE 201
78206	CRANKCASE ASSY.	LW-11062	ALL	NOTE 201
78207	HOUSING ASSY.	21C21538-01	ALL	

**SECTION 1  
NUMERICAL PARTS HISTORY SUPERSEDURES**

ORIGINAL PART NO.	NOMENCLATURE	SUPERSEDING PART NO.	USE	REFERENCES
78208	PLATE	LW-13048	ALL	
78214	CRANKCASE ASSY.	LW-18735	ALL	NOTE 201
78217	CRANKCASE ASSY.	LW-14559-S	ALL	S.I. 1345, NOTE 201
78218	CRANKCASE ASSY.	78226	ALL	NOTE 201
78219	CRANKCASE ASSY.	78228	ALL	NOTE 201
78220	CRANKCASE ASSY.	LW-14516-S	ALL	S.I. 1345, NOTE 201
78221	CRANKCASE ASSY.	LW-14419-S	ALL	S.I. 1345, NOTE 201
78222	CRANKCASE ASSY.	LW-11022	ALL	NOTE 201
78223	CRANKCASE ASSY.	LW-11023	ALL	NOTE 201
78224	CRANKCASE ASSY.	LW-11024	ALL	NOTE 201
78225	CRANKCASE ASSY.	LW-11025	ALL	NOTE 201
78226	CRANKCASE ASSY.	LW-14571-S	ALL	NOTE 201
78227	CRANKCASE ASSY.	N.L.A.		
78228	CRANKCASE ASSY.	LW-14491-S	ALL	S.I. 1345, NOTE 201
78229	CRANKCASE ASSY.	LW-14575-S	ALL	S.I. 1345, NOTE 201
78230	CRANKCASE ASSY.	LW-11303	ALL	NOTE 201
78232	CRANKCASE ASSY.	N.L.A.		
78234	CRANKCASE ASSY.	LW-11028	ALL	NOTE 201
78236	CRANKCASE ASSY.	LW-11029	ALL	NOTE 201
78238	CRANKCASE ASSY.	LW-11030	ALL	NOTE 201
78240	CRANKCASE ASSY.	LW-11033	ALL	NOTE 201
78241	CRANKCASE ASSY.	N.L.A.		
78242	CRANKCASE ASSY.	LW-11035-S	ALL	NOTE 201
78243	CRANKCASE ASSY.	LW-11036-S	ALL	NOTE 201
78244	CRANKCASE ASSY.	LW-11037-S	ALL	NOTE 201
78245	ROD END	LW-10990	ALL	NOTE 113
78269	TUBE ASSY.	61581-3	ALL	S.I. 1301
78270	TUBE ASSY.	61581-42	ALL	S.I. 1301
78283	CYLINDER ASSY.	LW-12714	ALL	NOTE 201
78286	PIPE	N.L.A.		
78289	PLUNGER ASSY.	78290	ALL	NOTE 200
78290	HYD PLUNGER ASSY	15B26066	ALL	S.I.1529A
78292	GASKET	LW-12681	ALL	
78294	TUBE ASSY.	LW-12877-6S110	ALL	NOTE 201
78295	TUBE ASSY.	LW-12877-6S142	ALL	NOTE 201
78302	ELBOW	72376		NOTE 248
78303	TEE	LW-13311		S.I. 1313, NOTE 201
78305	VALVE ASSY.	LW-13050	ALL	NOTE 201, S.I. 1286
78308	ALTERNATOR	LW-14300	ALL	S.I. 1154
78309	ALTERNATOR	LW-14301	ALL	S.I. 1154
78310	ALTERNATOR	LW-14316	ALL	S.I. 1154
78311	ALTERNATOR	LW-14317	ALL	S.I. 1154

**SECTION 1  
NUMERICAL PARTS HISTORY SUPERSEDURES**

ORIGINAL PART NO.	NOMENCLATURE	SUPERSEDING PART NO.	USE	REFERENCES
78312	ALTERNATOR	LW-14319	ALL	S.I. 1154
78313	ALTERNATOR	LW-14320	ALL	S.I. 1154
78314	ALTERNATOR	LW-14324	ALL	S.I. 1154
78315	ALTERNATOR	LW-14325	ALL	S.I. 1154
78319	BEARING	LW-13885	ALL	
78326	HOUSING ASSY.	LW-11552	ALL	
78328	CONTROLLER	LW-10682	ALL	
78337	SEAL	75953	ALL	S.I. 1231
78344	NOZZLE ASSY.	LW-11982	ALL	S.I. 1231
78346	SPACER	N.L.A.		
78349	BLANKET	LW-13060	ALL	
78353	BLANKET	LW-12640		NOTE 249
78354	PAINT - PRIMER (1 QT.)	05P22813	ALL	
78355	PAINT	N.L.A.		
78361	BRACKET	N.L.A.		
78362	CYLINDER ASSY.	LW-12966	ALL	NOTE 201,S.I. 1262
78365	DIVIDER	75095	ALL	
78368	ROLL PIN	LW-18667	ALL	
78381	MANIFOLD ASSY.	N.L.A.		
78398	CABLE ASSY.	LW-11308	ALL	NOTE 201
78401	ALTERNATOR	LW-14302	ALL	S.I. 1154
78402	ALTERNATOR	LW-14303	ALL	S.I. 1154
78403	ALTERNATOR	LW-14304	ALL	S.I. 1154
78404	ALTERNATOR	LW-14305	ALL	S.I. 1154
78405	ALTERNATOR	LW-14306	ALL	S.I. 1154
78406	ALTERNATOR	LW-14307	ALL	S.I. 1154
78407	ALTERNATOR	LW-14308	ALL	S.I. 1154
78408	ALTERNATOR	LW-14309	ALL	S.I. 1154
78409	ALTERNATOR	LW-14310	ALL	S.I. 1154
78410	ALTERNATOR	LW-14311	ALL	S.I. 1154
78411	ALTERNATOR	LW-14220	ALL	S.I. 1154
78412	ALTERNATOR	LW-14318	ALL	S.I. 1154
78413	ALTERNATOR	LW-14353	ALL	S.I. 1154
78414	ALTERNATOR	LW-14321	ALL	S.I. 1154
78415	ALTERNATOR	LW-14358	ALL	S.I. 1154
78417	INJECTOR	LW-12208	ALL	
78426	SUPPORT ASSY.	LW-13675	ALL	NOTE 201
78427	HOSE	LW-15490	ALL	
78440	HARNESS ASSY.	78921 or LW-620435-4	ALL	
78447	EYE-LIFTING	N.L.A.		
78451	CONTROLLER	LW-10682	ALL	
78482	HARNESS ASSY.	LW-620475-3	ALL	NOTE 201

**SECTION 1**  
**NUMERICAL PARTS HISTORY SUPERSEDURES**

ORIGINAL PART NO.	NOMENCLATURE	SUPERSEDING PART NO.	USE	REFERENCES
78487	SUPPORT ASSY.	N.L.A.		
78490	HOUSING ASSY.	21C21541-02	ALL	S.I. 1218
78494	HOUSING ASSY.	21C21542-01	ALL	S.I. 1218
78498	TEE	LW-13311	ALL	NOTE 201, S.I. 1313
78520	GAGE ASSY.	LW-14752	ALL	
78521	TEE	LW-13051		NOTE 201
78524	SOCKET	15B21319	ALL	
78528	BODY ASSY.	78531		S.I. 1164
78532	IMPELLER ASSY.	LW-15863	ALL	S.I. 1164, S.B.524
78534	HARNESS ASSY.	77514	ALL	
78535	HARNESS ASSY.	LW-M-2463, LW-M-2464, LW-M-2376 or LW-721025-1		NOTE 250
78536	HARNESS ASSY.	LW-M-2463, LW-M-2464, LW-M-2376 or LW-721025-1		NOTE 250
78537	HARNESS ASSY.	LW-M-2466, LW-M-2464, LW-M-2376 or LW-M-721026-1	ALL	NOTE 250
78538	HARNESS ASSY.	LW-M-2403, LW-M-2404, LW-M-2375 or LW-721005-5	ALL	NOTE 250
78539	HARNESS ASSY.	LW-M-2403, LW-M-2404, LW-M-2375 or LW-721005-1	ALL	NOTE 250
78540	HARNESS ASSY.	LW-M-2403, LW-M-2404, LW-M-2375 or LW-721005-1	ALL	NOTE 250
78541	HARNESS ASSY.	LW-M-2472, LW-M-2473, LW-M-2376 or LW-721017-1	ALL	NOTE 250
78542	HARNESS ASSY.	LW-M-2403, LW-M-2404, LW-M-2375 or LW-721005-1	ALL	NOTE 250
78543	HARNESS ASSY.	LW-M-2469, LW-M-2470, LW-M-2376 or LW-721033-1	ALL	NOTE 250
78544	HARNESS ASSY.	LW-M-2475, LW-M-2476, LW-M-2376 or LW-721034-1	ALL	NOTE 250
78545	HARNESS ASSY.	LW-M-2478, LW-M-2479, LW-M-2376 or LW-721035-1	ALL	NOTE 250
78546	HARNESS ASSY.	LW-M-2415, LW-M-2416, LW-M-2375 or LW-721036-1	ALL	NOTE 250
78547	HARNESS ASSY.	LW-M-2403, LW-M-2404, LW-M-2375 or LW-721005-1	ALL	NOTE 250
78548	HARNESS ASSY.	LW-M-2403, LW-M-2404, LW-M-2375 or LW-721005-5	ALL	NOTE 250
78549	HARNESS ASSY.	N.L.A.		
78551	HARNESS ASSY.	LW-M-2418, LW-M-2419, LW-M-2375 or LW-721040-1	ALL	NOTE 250
78552	HARNESS ASSY.	LW-620515-3	ALL	
78585	SHAFT-COMPRESSOR DRIVE	N.L.A.		
78595	CYLINDER ASSY.	LW-12989	ALL	NOTE 201
78596	CYLINDER ASSY.	LW-12990	ALL	NOTE 201
78597	CYLINDER ASSY.	LW-12768	ALL	NOTE 201
78598	CYLINDER ASSY.	LW-12991	ALL	NOTE 201
78599	CYLINDER ASSY.	LW-12992	ALL	NOTE 201

**SECTION 1  
NUMERICAL PARTS HISTORY SUPERSEDURES**

ORIGINAL PART NO.	NOMENCLATURE	SUPERSEDING PART NO.	USE	REFERENCES
78600	CYLINDER ASSY.	LW-12993	ALL	NOTE 201
78601	CYLINDER ASSY.	LW-12994	ALL	NOTE 201
78603	CYLINDER ASSY.	LW-12769	ALL	NOTE 201
78611	WASHER	70474	ALL	
78616	GAGE ASSY.	LW-14768	ALL	
78617	IDLER SHAFT	LW-19237	ALL	NOTE 201, S.I. 1249
78619	SHAFT	74641	ALL	NOTE 201, S.I. 1230
78626	TUBE-OIL LEVEL GAGE	56C23075		
78630	CONTROLLER	LW-10644	ALL	
78631	PIPE	N.L.A.		
78632	PIPE	N.L.A.		
78633	PIPE	N.L.A.		
78635	PIPE	N.L.A.		
78636	PIPE	N.L.A.		
78637	PIPE	N.L.A.		
78638	PIPE	N.L.A.		
78639	PULLY & SHAFT ASSY.	LW-19262	ALL	S.I. 1249, S.I. 1306
78648	PUMP-GEROTOR	N.L.A.		
78657	CRANKCASE ASSY.	LW-11032	ALL	NOTE 201
78671	VALVE	LW-13087	ALL	NOTE 201, S.I.1262,
78694	HEAT SHIELD	LW-13421	ALL	
78700	HOSE ASSY.	LW-12799-6S380, LW-10474		NOTE 251
78704	NIPPLE	LW-10466	ALL	
78709	HEAT SHIELD	LW-10801	ALL	NOTE 201
78713	CRANKCASE ASSY.	LW-11026-S	ALL	NOTE 201
78722	HOSE ASSY.	74543	ALL	NOTE 201
78728	CARBURETOR	LW-11222	ALL	NOTE 252
78766	GAGE	LW-12066	ALL	
78776	INJECTOR	LW-12207	ALL	
78780	BRACKET	LW-14947	ALL	S.I. 1315
78787	HOSE ASSY.	LW-12799-6S144		S.I. 1286
78788	HOSE ASSY.	LW-11215	ALL	NOTE 113
78799	HARNESS ASSY.	LW-620470-5	ALL	
78819	HARNESS ASSY.	75180	ALL	
78825	CYLINDER ASSY.	LW-12429	ALL	NOTE 201
78826	INJECTOR	N.L.A.		
78828	HOUSING ASSY.	21A21534-10	ALL	
78851	GEAR ASSY.	N.L.A.		
78852	TUBE ASSY.	N.L.A.		
78877	BELT	37A19773-372	ALL	
78881	EXTENSION ASSY.	N.L.A.		

**SECTION 1  
NUMERICAL PARTS HISTORY SUPERSEDURES**

ORIGINAL PART NO.	NOMENCLATURE	SUPERSEDING PART NO.	USE	REFERENCES
78888	IMPELLER	LW-18299	ALL	
78889	IMPELLER	LW-18297		
78934	MANIFOLD ASSY.	N.L.A.		NOTE 205
78955	MAGNETO	LW-163045-6	ALL	
78961	MANIFOLD ASSY.	N.L.A.		NOTE 205
78962	MANIFOLD ASSY.	N.L.A.		NOTE 205
78964	MANIFOLD ASSY.	LW-11264		NOTE 205
78965	MANIFOLD ASSY.	N.L.A.		NOTE 205
78981	PIPE	LW-11281		NOTE 219
78982	PIPE	LW-11282		NOTE 219
78983	PIPE	LW-11283		NOTE 219
78984	PIPE	LW-11284		NOTE 219
78988	COUNTERWEIGHT ASSY.	N.L.A.		
78989	CRANKSHAFT ASSY.	LW-17369	ALL	
78993	FUEL PUMP	62D22569		S.B. 539A
78995	CYLINDER ASSY.	N.L.A.		
79002	PIPE	LW-13265		NOTE 253
79007	MANIFOLD ASSY.	63B22001		NOTE 254
79008	INJECTOR	LW-11007		NOTE 255
79017	SPACER	N.L.A.		
79018	HOSE ASSY.	LW-12876-4-334	ALL	
79020	CRANKCASE ASSY.	LW-11038-S	ALL	NOTE 201
79026	CRANKSHAFT ASSY.	LW-17751	ALL	
79027	CRANKSHAFT ASSY.	LW-17776	ALL	
79031	FUEL INJECTOR	LW-11508	ALL	
79036	ALTERNATOR	LW-14326	ALL	S.I. 1154
79037	HOUSING ASSY.	21A21533-11	ALL	
79039	CONNECTOR	LW-10042	ALL	NOTE 201
79049	HOSE ASSY.	LW-12798-4-222	ALL	
79050	CYLINDER ASSY.	LW-10039	ALL	
79051	SPRING	LW-13077	ALL	NOTE 201, NOTE 256
79068	HARNESS ASSY.	78542	ALL	
79071	GAGE ASSY.	LW-14737	ALL	
79078	ALTERNATOR	LW-14357	ALL	S.I. 1154
365954	LEVER	N.L.A.		
393849	SCREW	N.L.A.		
400427	SPACER	N.L.A.		
400521	NUT	N.L.A.		
476181	SPRING	N.L.A.		
476762	EXPANDER	N.L.A.		
476770	RETAINER	N.L.A.		
477058	SPRING	N.L.A.		

**SECTION 1  
NUMERICAL PARTS HISTORY SUPERSEDURES**

ORIGINAL PART NO.	NOMENCLATURE	SUPERSEDING PART NO.	USE	REFERENCES
477122	HOUSING	N.L.A.		
477133	BELLOWS ASSY	N.L.A.		
10-3793	WASHER	N.L.A.		
10-4092	NUT	N.L.A.		
10-4093	WASHER	N.L.A.		
909292	PIN	N.L.A.		
909311	PIN	N.L.A.		
1915172	NUT	N.L.A.		
1941978	LOCKWASHER	N.L.A.		
1953794	NUT	1915172	ALL	
1959991	COLLAR	N.L.A.		
2520625	SPRING	N.L.A.		
2520652	SPRING	N.L.A.		
2521757	PLATE	N.L.A.		
2521864	SPRING	N.L.A.		
2522022	PIN	N.L.A.		
2523247	SPRING	N.L.A.		
2523387	SPRING	N.L.A.		
2529294	SHIM	N.L.A.		
2537610	STRAINER ASSY	N.L.A.		
2538330	WASHER	N.L.A.		
2539560	SPRING	N.L.A.		
2539561	SEAL	N.L.A.		
2540542	TUBE	N.L.A.		
2540577	SEAL	N.L.A.		
2542391	NAMEPLATE	N.L.A.		
2577011	SPRING	N.L.A.		
5579088	SCREW	N.L.A.		
5579089	SCREW	N.L.A.		
5579091	NUT	N.L.A.		
5579427	STUD	N.L.A.		
5579983	GASKET	N.L.A.		
6435683	ELEMENT	LW-14089	ALL	
6436048	NUT, NYLON	N.L.A.		
6471662	SEPARATOR RING	6415589	ALL	
6471947	SEPARATOR RING	6415589	ALL	
LW-15564	CRANKSHAFT ASSY.	LW-16040	ALL	NOTE 201
01A23354	STUD	N.L.A.		
01B21434	NUT	N.L.A.		
01C21424	BOLT	N.L.A.		
01C23344	BOLT	N.L.A.		
01F21028	SCREW	MS35276-261	ALL	



**SECTION 1  
NUMERICAL PARTS HISTORY SUPERSEDURES**

ORIGINAL PART NO.	NOMENCLATURE	SUPERSEDING PART NO.	USE	REFERENCES
01K21699-S-P05	BUSHING	N.L.A.		
01K21700-S-P05	BUSHING	N.L.A.		
01K22156-S-P10	BUSHING	N.L.A.		
01L21158	STARTER SHIM	05K21194	ALL	
01L21159	STARTER SHIM	05K21194	ALL	
01L21402	SHIM - .5MM	N.L.A.		
01L21403	SHIM - .8MM	N.L.A.		
01N19833-250	PLUG-PIN	N.L.A.		
01N19833-281	PLUG-PIN	N.L.A.		
01P19762-1-1	BAG-HARNESS ATTACHING	N.L.A.		
02A19416	FITTING ASSY.	MS20823-4	ALL	NOTE 201
02A21126	ELBOW	N.L.A.		
02A21379	NIPPLE	02G21379	ALL	
02A21382	NIPPLE	02G21382	ALL	
02C22026	CONNECTOR	N.L.A.		
02G21055	NIPPLE	77627	ALL	
02M22027-3S090	HOSE ASSY.	LW-12876-4S066	ALL	
05J23630	PACKAGE	N.L.A.		
05K21111	KIT, CYL, PISTON & RING	05K21110		SFN-880
05K21113	KIT, CYL, PISTON & RING	05K21112		SFN-880
05K21114	KIT, CYL, PISTON & RING	05K23037		SFN-880
05K21123	KIT, CYL, PISTON & RING	05K23038		SFN-880
05K21194	SHIM KIT	N.L.A.		
05K21243	KIT, CYL, PISTON & RING	05K21103		SFN-880
05K21302-1	KIT, 12V, 12-14P	N.L.A.		
05K21302-2	KIT, 24V, 12-14P	N.L.A.		
05K21302-3	KIT, 12V, 10-12P	N.L.A.		
05K21302-4	KIT, 24V, 10-12P	N.L.A.		
05K21915	KIT, CYL, PISTON & RING	05K21192		SFN-880
05K22282	KIT, CYL, PISTON & RING	05K22294		
05K22817	KIT, OVERHAUL W/F.PUMP	N.L.A.		
05K27273	KIT -CRKSHAFT CWT ASS'Y	05K47273	ALL	
05K27274	KIT -CRKSHAFT CWT ASS'Y	05K47274	ALL	

**SECTION 1  
NUMERICAL PARTS HISTORY SUPERSEDURES**

ORIGINAL PART NO.	NOMENCLATURE	SUPERSEDING PART NO.	USE	REFERENCES
05K27275	KIT -CRKSHAFT CWT ASS'Y	05K47275	ALL	
05K27276	KIT -CRKSHAFT CWT ASS'Y	05K47276	ALL	
05K27277	KIT -CRKSHAFT CWT ASS'Y	05K47277	ALL	
05K27278	KIT -CRKSHAFT CWT ASS'Y	05K47278	ALL	
05K27279	KIT -CRKSHAFT CWT ASS'Y	05K47279	ALL	
05K27280	KIT -CRKSHAFT CWT ASS'Y	05K47280	ALL	
05K27281	KIT -CRKSHAFT CWT ASS'Y	05K47281	ALL	
05K27282	KIT -CRKSHAFT CWT ASS'Y	05K47282	ALL	
05K27283	KIT -CRKSHAFT CWT ASS'Y	05K47283	ALL	
05K27284	KIT -CRKSHAFT CWT ASS'Y	05K47284	ALL	
05K27285	KIT -CRKSHAFT CWT ASS'Y	05K47285	ALL	
05K27286	KIT -CRKSHAFT CWT ASS'Y	05K47286	ALL	
05K27674	KIT -CRKSHAFT CWT ASS'Y	05K47674	ALL	NOTE 522
05K27675	KIT -CRKSHAFT CWT ASS'Y	05K47675	ALL	NOTE 523
05K27676	KIT -CRKSHAFT CWT ASS'Y	05K47676	ALL	NOTE 524
05K27677	KIT -CRKSHAFT CWT ASS'Y	05K47677	ALL	NOTE 524
05K27678	KIT -CRKSHAFT CWT ASS'Y	05K47678	ALL	
05K27679	KIT -CRKSHAFT CWT ASS'Y	05K47679	ALL	
05K27680	KIT -CRKSHAFT CWT ASS'Y	05K47680	ALL	
05K27681	KIT -CRKSHAFT CWT ASS'Y	05K47681	ALL	
05K27682	KIT -CRKSHAFT CWT ASS'Y	05K47682	ALL	
05K27683	KIT -CRKSHAFT CWT ASS'Y	05K47683	ALL	
05K27684	KIT -CRKSHAFT CWT ASS'Y	05K47684	ALL	NOTE 513 72965 (2)72797(2)ROLLER-DYNAMIC COUNTERWEIGHT

**SECTION 1  
NUMERICAL PARTS HISTORY SUPERSEDURES**

ORIGINAL PART NO.	NOMENCLATURE	SUPERSEDING PART NO.	USE	REFERENCES
05K27685	KIT -CRKSHAFT CWT ASS'Y	05K47685	ALL	NOTE 512 76788 (2)LW-15558(2)ROLLER-DYNAMIC COUNTERWEIGHT
05K27686	KIT -CRKSHAFT CWT ASS'Y	05K47686	ALL	
05K27687	KIT -CRKSHAFT CWT ASS'Y	05K47687	ALL	
05K27688	KIT -CRKSHAFT CWT ASS'Y	05K47688	ALL	
05K27775	KIT -CRKSHAFT CWT ASS'Y	05K37775	ALL	
05K27776	KIT -CRKSHAFT CWT ASS'Y	05K37776	ALL	
05K27777	KIT -CRKSHAFT CWT ASS'Y	05K37777	ALL	
05K27778	KIT -CRKSHAFT CWT ASS'Y	05K37778	ALL	
05K27779	KIT -CRKSHAFT CWT ASS'Y	05K37779	ALL	
05K27780	KIT -CRKSHAFT CWT ASS'Y	05K37780	ALL	
05K27781	KIT -CRKSHAFT CWT ASS'Y	05K37781	ALL	
05K27782	KIT -CRKSHAFT CWT ASS'Y	05K37782	ALL	
05K27783	KIT -CRKSHAFT CWT ASS'Y	05K37783	ALL	
05K27784	KIT -CRKSHAFT CWT ASS'Y	05K37784	ALL	
05K27785	KIT -CRKSHAFT CWT ASS'Y	05K37785	ALL	
05K27786	KIT -CRKSHAFT CWT ASS'Y	05K37786	ALL	
05K27787	KIT -CRKSHAFT CWT ASS'Y	05K37787	ALL	
05K27788	KIT -CRKSHAFT CWT ASS'Y	05K37788	ALL	
05K27789	KIT -CRKSHAFT CWT ASS'Y	05K37789	ALL	
05K27790	KIT -CRKSHAFT CWT ASS'Y	05K37790	ALL	
05K27791	KIT -CRKSHAFT CWT ASS'Y	05K37791	ALL	
05K27792	KIT -CRKSHAFT CWT ASS'Y	05K37792	ALL	
05K27793	KIT -CRKSHAFT CWT ASS'Y	05K37793	ALL	
05K37775	KIT -CRKSHAFT CWT ASS'Y	05K47775	ALL	W/13F47725 CRANKSHAFT
05K37776	KIT -CRKSHAFT CWT ASS'Y	05K47776	ALL	W/13F47726 CRANKSHAFT

**SECTION 1  
NUMERICAL PARTS HISTORY SUPERSEDURES**

ORIGINAL PART NO.	NOMENCLATURE	SUPERSEDING PART NO.	USE	REFERENCES
05K37777	KIT -CRKSHAFT CWT ASS'Y	05K47777	ALL	W/13F47727 CRANKSHAFT
05K37778	KIT -CRKSHAFT CWT ASS'Y	05K47778	ALL	W/13F47728 CRANKSHAFT
05K37779	KIT -CRKSHAFT CWT ASS'Y	05K47779	ALL	W/13F47729 CRANKSHAFT
05K37780	KIT -CRKSHAFT CWT ASS'Y	05K47780	ALL	W/13F47730 CRANKSHAFT
05K37781	KIT -CRKSHAFT CWT ASS'Y	05K47781	ALL	W/13F47731 CRANKSHAFT
05K37782	KIT -CRKSHAFT CWT ASS'Y	05K47782	ALL	W/13F47732 CRANKSHAFT
05K37783	KIT -CRKSHAFT CWT ASS'Y	05K47783	ALL	W/13F47733 CRANKSHAFT
05K37784	KIT -CRKSHAFT CWT ASS'Y	05K47784	ALL	W/13F47734 CRANKSHAFT
05K37785	KIT -CRKSHAFT CWT ASS'Y	05K47785	ALL	W/13F47735 CRANKSHAFT
05K37788	KIT -CRKSHAFT CWT ASS'Y	05K47788	ALL	W/13F47735 CRANKSHAFT
05K37789	KIT -CRKSHAFT CWT ASS'Y	05K47789	ALL	W/13F47735 CRANKSHAFT
05K37790	KIT -CRKSHAFT CWT ASS'Y	05K47790	ALL	W/13F47735 CRANKSHAFT
05K37791	KIT -CRKSHAFT CWT ASS'Y	05K47791	ALL	W/13F47735 CRANKSHAFT
05K37792	KIT -CRKSHAFT CWT ASS'Y	05K47792	ALL	W/13F47735 CRANKSHAFT
05K37793	KIT -CRKSHAFT CWT ASS'Y	05K47793	ALL	W/13F47735 CRANKSHAFT
05P22812	PAINT-ENGINE GREY	05P23087	ALL	
06A21729	SEAL	N.L.A.		
06A23460	SEAL-SHROUD TUBE	06A23493		NOTE 509, S.I. 1060
06A23460	SEAL-SHROUD TUBE	06A23493	ALL	NOTE 509 N.L.A. SCRAP 06A23460
06B19921	GASKET	06B21644	ALL	
06B21426	GASKET	N.L.A.		
06C21427	"O" RING	N.L.A.		
07A19479	BRACKET	N.L.A.		
07A19846	BRACKET	07A22544	ALL	
07A19870	BRACKET	07A22543	ALL	
07A19874	BRACKET	07A22097	ALL	
07A19876	BRACKET	07A26688		S.I. 1531
07A19878	BRACKET	07A22447	ALL	
07A19882	BRACKET	07A21030	ALL	S.I. 1451
07A21030	BRACKET	07A21292		NOTE 371
07A21682	BRACKET	07A22167	ALL	
07A22285	BRACKET-AIR INLET PIPE	07A22741	ALL	

**SECTION 1  
NUMERICAL PARTS HISTORY SUPERSEDURES**

ORIGINAL PART NO.	NOMENCLATURE	SUPERSEDING PART NO.	USE	REFERENCES
07A22329	BRACKET-TWIST	N.L.A.		
07C22331	CLAMP	07C23076		IO-540-A1CA5, TIO-540-AJ1A
07E19897	BRACKET	07A19981	ALL	
07F19814	SUPPORT, WASTEGATE	N.L.A.		
07F19877	LINK	07F21903 & 01L21916	ALL	
07F19881	LINK	07F21298	ALL	S.I. 1451
07F19883	LINK	07F21724	ALL	S.I. 1451
07G19797	BRACKET ASSY.	07A19797	ALL	
07G19798	BRACKET ASSY.	07A19798	ALL	
07H21094	BRACKET	07H21150	ALL	
1025-B	STUD	38-12	ALL	
1025-B-P03	STUD-.375-16 X 1.47 LONG	N.L.A.		
10-349392-5	FLANGE	N.L.A.		
10-35937-24	SCREW	N.L.A.		
10-391318	WASHER	N.L.A.		
10-391391	GASKET	N.L.A.		
1068-B	CLAMP	71910	ALL	
107-B	BOLT	N.L.A.		
10-91431-8	SCREW	N.L.A.		
10D-6	STUD	N.L.A.		
1112-BC	HOSE	N.L.A.		
1182-A4	SPARK PLUG	N.L.A.		S.I. 1042
1182-A5	SPARK PLUG	N.L.A.		S.I. 1042
1182-A6	SPARK PLUG	N.L.A.		S.I. 1042
1182-A7	SPARK PLUG	N.L.A.		S.I. 1042
1182-B2	SPARK PLUG	N.L.A.		S.I. 1042
1182-B3	SPARK PLUG	1182-E7	ALL	S.I. 1042
1182-B4	SPARK PLUG	N.L.A.		S.I. 1042
1182-B5	SPARK PLUG	N.L.A.		S.I. 1042
1182-B6	SPARK PLUG	1182-B3	ALL	S.I. 1042
1182-C1	SPARK PLUG	N.L.A.		S.I. 1042
1182-C2	SPARK PLUG	N.L.A.		S.I. 1042
1182-C4	SPARK PLUG	N.L.A.		S.I. 1042
1182-C5	SPARK PLUG	N.L.A.		S.I. 1042
1182-C6	SPARK PLUG	1182-W3	ALL	S.I. 1042
1182-D4	SPARK PLUG	1182-F7	ALL	S.I. 1042
1182-D6	SPARK PLUG	N.L.A.		S.I. 1042
1182-D7	SPARK PLUG	N.L.A.		S.I. 1042
1182-E3	SPARK PLUG	1182-F3	ALL	S.I. 1042
1182-E4	SPARK PLUG	1182-F7	ALL	S.I. 1042

**SECTION 1  
NUMERICAL PARTS HISTORY SUPERSEDURES**

ORIGINAL PART NO.	NOMENCLATURE	SUPERSEDING PART NO.	USE	REFERENCES
1182-E6	SPARK PLUG	N.L.A.		S.I. 1042
1182-F2	SPARK PLUG	N.L.A.		S.I. 1042
1182-F5	SPARK PLUG	N.L.A.		S.I. 1042
1182-F6	SPARK PLUG	N.L.A.		S.I. 1042
1182-G2	SPARK PLUG	N.L.A.		S.I. 1042
1182-G4	SPARK PLUG	1182-N5	ALL	S.I. 1042
1182-G6	SPARK PLUG	1182-R6	ALL	S.I. 1042
1182-H2	SPARK PLUG	N.L.A.		S.I. 1042
1182-H3	SPARK PLUG	1182-M3	ALL	S.I. 1042
1182-H4	SPARK PLUG	N.L.A.		S.I. 1042
1182-H6	SPARK PLUG	N.L.A.		S.I. 1042
1182-J2	SPARK PLUG	N.L.A.		S.I. 1042
1182-J3	SPARK PLUG	1182-E7	ALL	S.I. 1042
1182-J4	SPARK PLUG	1182-W5	ALL	S.I. 1042
1182-J5	SPARK PLUG	1182-B6	ALL	S.I. 1042
1182-K1	SPARK PLUG	1182-B3	ALL	S.I. 1042
1182-K2	SPARK PLUG	N.L.A.		S.I. 1042
1182-K3	SPARK PLUG	1182-E7	ALL	S.I. 1042
1182-K4	SPARK PLUG	1182-Q6	ALL	S.I. 1042
1182-K5	SPARK PLUG	N.L.A.		S.I.1042
1182-L1	SPARK PLUG	N.L.A.		S.I. 1042
1182-L2	SPARK PLUG	1182-P2, 1182-W2		NOTE 390, S.I. 1042
1182-L3	SPARK PLUG	1182-V1	ALL	S.I. 1042
1182-L4	SPARK PLUG	N.L.A.		S.I. 1042
1182-L5	SPARK PLUG	N.L.A.		S.I. 1042
1182-L7	SPARK PLUG	1182-L8		
1182-L7	SPARK PLUG	N.L.A.		S.I. 1042
1182-M1	SPARK PLUG	1182-B3	ALL	S.I. 1042
1182-M2	SPARK PLUG	N.L.A.		S.I. 1042
1182-M3	SPARK PLUG	1182-P6	ALL	S.I. 1042
1182-M4	SPARK PLUG	1182-G7	ALL	S.I. 1042
1182-N1	SPARK PLUG	N.L.A.		S.I. 1042
1182-N2	SPARK PLUG	N.L.A.		S.I. 1042
1182-N3	SPARK PLUG	1182-N6	ALL	S.I. 1042
1182-N4	SPARK PLUG	1182-G7	ALL	S.I. 1042
1182-N5	SPARK PLUG	N.L.A.		S.I. 1042
1182-N6	SPARK PLUG	1182-J7	ALL	S.I. 1042
1182-P1	SPARK PLUG	1182-E3	ALL	S.I. 1042
1182-P2	SPARK PLUG	N.L.A.		S.I. 1042
1182-P4	SPARK PLUG	N.L.A.		S.I. 1042
1182-P5	SPARK PLUG	N.L.A.		S.I. 1042
1182-P6	SPARK PLUG	1182-K7	ALL	S.I. 1042

**SECTION 1  
NUMERICAL PARTS HISTORY SUPERSEDURES**

ORIGINAL PART NO.	NOMENCLATURE	SUPERSEDING PART NO.	USE	REFERENCES
1182-Q1	SPARK PLUG	N.L.A.		S.I. 1042
1182-Q2	SPARK PLUG	N.L.A.		S.I. 1042
1182-Q4	SPARK PLUG	N.L.A.		S.I. 1042
1182-Q5	SPARK PLUG	1182-J7	ALL	NOTE 389, S.I. 1042
1182-Q6	SPARK PLUG	1182-L7	ALL	S.I. 1042
1182-R2	SPARK PLUG	1182-E3	ALL	S.I. 1042
1182-R4	SPARK PLUG	N.L.A.		S.I. 1042
1182-R5	SPARK PLUG	1182-M7	ALL	S.I. 1042
1182-R6	SPARK PLUG	1182-M7	ALL	S.I. 1042
1182-S2	SPARK PLUG	1182-F3	ALL	S.I. 1042
1182-S4	SPARK PLUG	N.L.A.		S.I. 1042
1182-S5	SPARK PLUG	1182-H7	ALL	S.I. 1042
1182-S6	SPARK PLUG	1182-J7	ALL	S.I. 1042
1182-T1	SPARK PLUG	N.L.A.		S.I. 1042
1182-T2	SPARK PLUG	1182-L3	ALL	S.I. 1042
1182-T4	SPARK PLUG	N.L.A.		S.I. 1042
1182-T6	SPARK PLUG	N.L.A.		S.I. 1042
1182-U1	SPARK PLUG	N.L.A.		S.I. 1042
1182-U2	SPARK PLUG	1182-P5	ALL	S.I. 1042
1182-U5	SPARK PLUG	1182-H7	ALL	S.I. 1042
1182-U5	SPARK PLUG	N.L.A.		
1182-U6	SPARK PLUG	N.L.A.		S.I. 1042
1182-V1	SPARK PLUG	N.L.A.		S.I. 1042
1182-V2	SPARK PLUG	1182-N3	ALL	S.I. 1042
1182-V3	SPARK PLUG	1182-V1	ALL	S.I. 1042
1182-V4	SPARK PLUG	N.L.A.		S.I. 1042
1182-V5	SPARK PLUG	N.L.A.		S.I. 1042
1182-V6	SPARK PLUG	1182-K7	ALL	S.I. 1042
1182-W2	SPARK PLUG	1182-K3	ALL	S.I. 1042
1182-W4	SPARK PLUG	N.L.A.		S.I. 1042
1182-W5	SPARK PLUG	1182-H7	ALL	S.I. 1042
1182-W6	SPARK PLUG	1182-L7	ALL	S.I. 1042
1182-X1	SPARK PLUG	1182-X2	ALL	S.I. 1042
1182-X2	SPARK PLUG	1182-B6	ALL	S.I. 1042
1182-X3	SPARK PLUG	N.L.A.		S.I. 1042
1182-X4	SPARK PLUG	N.L.A.		S.I. 1042
1182-Y2	SPARK PLUG	1182-K3	ALL	S.I. 1042
1182-Y3	SPARK PLUG	1182-Q6	ALL	S.I. 1042
1182-Y4	SPARK PLUG	N.L.A.		S.I. 1042
1182-Y5	SPARK PLUG	1182-R6	ALL	S.I. 1042
1182-Y6	SPARK PLUG	N.L.A.		S.I. 1042
11B20051-1DH	CRANKCASE ASSY.	11B20061-1DH-S	ALL	

**SECTION 1  
NUMERICAL PARTS HISTORY SUPERSEDURES**

ORIGINAL PART NO.	NOMENCLATURE	SUPERSEDING PART NO.	USE	REFERENCES
11B20051-1DL	CRANKCASE ASSY.	11B20061-1DL-S	ALL	
11B20051-1SB	CRANKCASE ASSY.	11B20061-1SB-S	ALL	
11B20051-1SH	CRANKCASE ASSY.	11B20061-1SH-S	ALL	
11B20051-1SL	CRANKCASE ASSY.	11B20061-1SL-S	ALL	
11B20051-2SL	CRANKCASE ASSY.	11B20061-2SL-S	ALL	
11B20051-3SB	CRANKCASE ASSY.	11B20061-3SB-S	ALL	
11B20051-3SH	CRANKCASE ASSY.	11B20061-3SH-S	ALL	
11B20051-3SL	CRANKCASE ASSY.	11B20061-3SL-S	ALL	
11E20000-D1	CRANKCASE ASSY.	11E24000-D1	ALL	
11E20000-D2-S	CRANKCASE ASSY.	11E24000-D2-S	ALL	
11E20000-S1	CRANKCASE ASSY.	11E24000-S1-S	ALL	
11E20000-S1-S	CRANKCASE ASSY.	11E24000-S2-S	ALL	
11E20000-S2	CRANKCASE ASSY.	11E24000-S2-S	ALL	
11E20000-S3	CRANKCASE ASSY.	11E24000-S3-S	ALL	
11E20000-S4	CRANKCASE ASSY.	11E24000-S4-S	ALL	
11E20001-S1	CRANKCASE ASSY.	11E24001-S1-S	ALL	
11E20001-S4	CRANKCASE ASSY.	11E24001-S4-S	ALL	
11E20002-D1	CRANKCASE ASSY.	11E24002-D1-S	ALL	
11E20002-D3	CRANKCASE ASSY.	11E24002-D3-S	ALL	
11E20003-S3-S	CRANKCASE ASSY.	11E24003-S3-S	ALL	
11E20004-S1-S	CRANKCASE ASSY.	11E24004-S1-S	ALL	
11E20004-S4	CRANKCASE ASSY.	11E20004-S1	ALL	
11F20020-D1-S	CRANKCASE ASSY.	11F24020-D1-S	ALL	
11F20020-D3-S	CRANKCASE ASSY.	11F24020-D3-S	ALL	
11F20020-S1-S	CRANKCASE ASSY.	11F24020-S1-S	ALL	
11F20020-S2-S	CRANKCASE ASSY.	11F24020-S2	ALL	
11F20020-S3-S	CRANKCASE ASSY.	11F24020-S3-S	ALL	
11F20020-S4-S	CRANKCASE ASSY.	11F24020-S4-S	ALL	
11F20021-D2-S	CRANKCASE ASSY.	11F24021-D2-S	ALL	
11F20021-D4	CRANKCASE ASSY.	11F24021-D4-S	ALL	
11F20021-S2	CRANKCASE ASSY.	11F24021-S2-S	ALL	
11F20022-D3	CRANKCASE ASSY.	11F24022-D3-S, 11F24022-D3-S-1	ALL	NOTE 370
11F20022-D4	CRANKCASE ASSY.	11F24022-D4-S	ALL	
11F20022-D5	CRANKCASE ASSY.	11F24022-D5-S	ALL	
11F20022-S3	CRANKCASE ASSY.	11F24022-S3-S	ALL	
11F20023-S3	CRANKCASE ASSY.	11F24023-S3	ALL	
12A19770	BRACKET	12A21320	ALL	NOTE 368
137-45	INSERT-HELI-COIL	N.L.A.		
13B17060	CRANKSHAFT ASSY.	13B27024	ALL	
13B17061	CRANKSHAFT ASSY.	13B27022	ALL	
13B17062	CRANKSHAFT ASSY.	13B27023	ALL	
13B17063	CRANKSHAFT ASSY.	13B27020	ALL	



**SECTION 1  
NUMERICAL PARTS HISTORY SUPERSEDURES**

ORIGINAL PART NO.	NOMENCLATURE	SUPERSEDING PART NO.	USE	REFERENCES
13B17064	CRANKSHAFT ASSY.	13B27020	ALL	
13B17065	CRANKSHAFT ASSY.	13B27021	ALL	
13B17066	CRANKSHAFT ASSY.	13B27024	ALL	
13B17067	CRANKSHAFT ASSY.	13B27028	ALL	
13B17068	CRANKSHAFT ASSY.	13B27025	ALL	
13B17069	CRANKSHAFT ASSY.	13B27026	ALL	
13B17070	CRANKSHAFT ASSY.	13B27027	ALL	
13B17071	CRANKSHAFT ASSY.	13B27020	ALL	
13B17072	CRANKSHAFT ASSY.	13B27020	ALL	
13B17073	CRANKSHAFT ASSY.	13B27022	ALL	
13B17074	CRANKSHAFT ASSY.	13B27024	ALL	
13B17075	CRANKSHAFT ASSY.	13B27024	ALL	
13B17131	CRANKSHAFT ASSY.	13B27134	ALL	
13B17132	CRANKSHAFT ASSY.	13B27135	ALL	
13B17133	CRANKSHAFT ASSY.	13B27136	ALL	
13B17134	CRANKSHAFT ASSY.	13B27137	ALL	
13B17143	CRANKSHAFT ASSY.	13B27139	ALL	
13B17144	CRANKSHAFT ASSY.	13B27134	ALL	
13B17147	CRANKSHAFT ASSY.	13B27135	ALL	S.L. L202, S.B. 465
13B17148	CRANKSHAFT ASSY.	13B27137	ALL	S.L. L202, S.B. 465
13B17151	CRANKSHAFT ASSY.	13B27125	ALL	
13B17160	CRANKSHAFT ASSY.	13B27120	ALL	
13B17161	CRANKSHAFT ASSY.	13B27121	ALL	
13B17162	CRANKSHAFT ASSY.	13B27122	ALL	
13B17163	CRANKSHAFT ASSY.	13B27124	ALL	
13B17164	CRANKSHAFT ASSY.	13B27126	ALL	
13B17165	CRANKSHAFT ASSY.	13B27127	ALL	
13B17166	CRANKSHAFT ASSY.	13B27128	ALL	
13B17167	CRANKSHAFT ASSY.	13B27129	ALL	
13B17168	CRANKSHAFT ASSY.	13B27130	ALL	
13B17169	CRANKSHAFT ASSY.	13B27132	ALL	
13B17170	CRANKSHAFT ASSY.	13B27133	ALL	
13B17171	CRANKSHAFT ASSY.	13B27138	ALL	
13B17172	CRANKSHAFT ASSY.	13B27139	ALL	
13B17173	CRANKSHAFT ASSY.	13B27123	ALL	
13B17174	CRANKSHAFT ASSY.	13B27140	ALL	
13B17175	CRANKSHAFT ASSY.	13B27141	ALL	
13B17176	CRANKSHAFT ASSY.	13B27128	ALL	
13B17177	CRANKSHAFT ASSY.	13B27120	ALL	
13B17178	CRANKSHAFT ASSY.	13B27122	ALL	
13B17179	CRANKSHAFT ASSY.	13B27139	ALL	
13B17180	CRANKSHAFT ASSY.	13B27129	ALL	

**SECTION 1  
NUMERICAL PARTS HISTORY SUPERSEDURES**

ORIGINAL PART NO.	NOMENCLATURE	SUPERSEDING PART NO.	USE	REFERENCES
13B17181	CRANKSHAFT ASSY.	13B27131	ALL	
13B17182	CRANKSHAFT ASSY.	13B27142	ALL	
13B17183	CRANKSHAFT ASSY.	13B27126	ALL	S.L. L202, S.B. 465
13B17184	CRANKSHAFT ASSY.	13B27121	ALL	S.L. L202, S.B. 465
13B17185	CRANKSHAFT ASSY.	13B27125	ALL	S.I. 1098, S.I. 1452
13B17222	CRANKSHAFT ASSY.	13B27223	ALL	
13B17225	CRANKSHAFT ASSY.	13B27224	ALL	
13B17246	CRANKSHAFT ASSY.	13B27219	ALL	
13B17247	CRANKSHAFT ASSY.	13B27220	ALL	
13B17248	CRANKSHAFT ASSY.	13B27222	ALL	
13B17249	CRANKSHAFT ASSY.	13B27223	ALL	
13B17250	CRANKSHAFT ASSY.	13B27225	ALL	
13B17251	CRANKSHAFT ASSY.	13B27226	ALL	
13B17252	CRANKSHAFT ASSY.	13B27224	ALL	
13B17253	CRANKSHAFT ASSY.	13B27227	ALL	
13B17254	CRANKSHAFT ASSY.	13B27228	ALL	
13B17255	CRANKSHAFT ASSY.	13B27230	ALL	
13B17256	CRANKSHAFT ASSY.	13B27229	ALL	
13B17257	CRANKSHAFT ASSY.	13B27232	ALL	
13B17258	CRANKSHAFT ASSY.	13B27219	ALL	
13B17259	CRANKSHAFT ASSY.	13B27228	ALL	
13B17264	CRANKSHAFT ASSY.	13B27231	ALL	
13B17265	CRANKSHAFT ASSY.	13B27221	ALL	
13B17273	CRANKSHAFT ASSY.	05K27273	ALL	
13B17274	CRANKSHAFT ASSY.	05K27274	ALL	
13B17275	CRANKSHAFT ASSY.	05K27276	ALL	
13B17276	CRANKSHAFT ASSY.	05K27277	ALL	
13B17277	CRANKSHAFT ASSY.	05K27279	ALL	
13B17278	CRANKSHAFT ASSY.	05K27280	ALL	
13B17279	CRANKSHAFT ASSY.	05K27278	ALL	
13B17280	CRANKSHAFT ASSY.	05K27281	ALL	
13B17281	CRANKSHAFT ASSY.	05K27282	ALL	
13B17282	CRANKSHAFT ASSY.	05K27284	ALL	
13B17283	CRANKSHAFT ASSY.	05K27283	ALL	
13B17284	CRANKSHAFT ASSY.	05K27286	ALL	
13B17285	CRANKSHAFT ASSY.	05K27273	ALL	
13B17286	CRANKSHAFT ASSY.	05K27282	ALL	
13B17287	CRANKSHAFT ASSY.	05K27282	ALL	
13B17288	CRANKSHAFT ASSY.	05K27276	ALL	
13B17289	CRANKSHAFT ASSY.	05K27277	ALL	
13B17290	CRANKSHAFT ASSY.	05K27284	ALL	
13B17291	CRANKSHAFT ASSY.	05K27285	ALL	

**SECTION 1  
NUMERICAL PARTS HISTORY SUPERSEDURES**

ORIGINAL PART NO.	NOMENCLATURE	SUPERSEDING PART NO.	USE	REFERENCES
13B17292	CRANKSHAFT ASSY.	05K27275	ALL	
13B21431	BUSHING ASSY.	13B47431	ALL	
13B21432	CRANKSHAFT ASSY.	13B21431	ALL	
13B21945	BUSHING ASSY.	13B47945	ALL	
13B27020	CRANKSHAFT ASSY.	13B37020	ALL	
13B27021	CRANKSHAFT ASSY.	13B37021	ALL	
13B27022	CRANKSHAFT ASSY.	13B37022	ALL	
13B27023	CRANKSHAFT ASSY.	13B37023	ALL	
13B27024	CRANKSHAFT ASSY.	13B37024	ALL	
13B27025	CRANKSHAFT ASSY.	13B37025	ALL	
13B27026	CRANKSHAFT ASSY.	13B37026	ALL	
13B27027	CRANKSHAFT ASSY.	13B37027	ALL	
13B27028	CRANKSHAFT ASSY.	13B37028	ALL	
13B27120	BUSHING ASSY.	13B47120	ALL	
13B27121	BUSHING ASSY.	13B47121	ALL	
13B27122	BUSHING ASSY.	13B47122	ALL	
13B27123	BUSHING ASSY.	13B47123	ALL	
13B27124	BUSHING ASSY.	13B47124	ALL	
13B27125	BUSHING ASSY.	13B47125	ALL	
13B27126	BUSHING ASSY.	13B47126	ALL	
13B27127	BUSHING ASSY.	13B47127	ALL	
13B27128	BUSHING ASSY.	13B47128	ALL	
13B27129	BUSHING ASSY.	13B47129	ALL	
13B27130	BUSHING ASSY.	13B47130	ALL	
13B27131	BUSHING ASSY.	13B47131	ALL	
13B27132	BUSHING ASSY.	13B47132	ALL	
13B27133	BUSHING ASSY.	13B47133	ALL	
13B27134	BUSHING ASSY.	13B47134	ALL	
13B27135	BUSHING ASSY.	13B47135	ALL	
13B27136	BUSHING ASSY.	13B47136	ALL	
13B27137	BUSHING ASSY.	13B47137	ALL	
13B27138	BUSHING ASSY.	13B47138	ALL	
13B27139	BUSHING ASSY.	13B47139	ALL	
13B27140	BUSHING ASSY.	13B47140	ALL	
13B27141	BUSHING ASSY.	13B47141	ALL	
13B27142	BUSHING ASSY.	13B47142	ALL	
13B27143	BUSHING ASSY.	13B47143	ALL	
13B27219	BUSHING ASSY.	13B37219	ALL	
13B27220	BUSHING ASSY.	13B37220	ALL	
13B27221	BUSHING ASSY.	13B37221	ALL	
13B27222	BUSHING ASSY.	13B37222	ALL	
13B27223	BUSHING ASSY.	13B37223	ALL	

**SECTION 1  
NUMERICAL PARTS HISTORY SUPERSEDURES**

ORIGINAL PART NO.	NOMENCLATURE	SUPERSEDING PART NO.	USE	REFERENCES
13B27224	BUSHING ASSY.	13B37224	ALL	
13B27225	BUSHING ASSY.	13B37225	ALL	
13B27226	BUSHING ASSY.	13B37226	ALL	
13B27227	BUSHING ASSY.	13B37227	ALL	
13B27228	BUSHING ASSY.	13B37228	ALL	
13B27229	BUSHING ASSY.	13B37229	ALL	
13B27230	BUSHING ASSY.	13B37230	ALL	
13B27231	BUSHING ASSY.	13B37231	ALL	
13B27232	BUSHING ASSY.	13B37232	ALL	
13B27234	BUSHING ASSY.	13B37234	ALL	
13B37020	BUSHING ASSY.	13B47020	ALL	
13B37021	BUSHING ASSY.	13B47021	ALL	
13B37022	BUSHING ASSY.	13B47022	ALL	
13B37023	BUSHING ASSY.	13B47023	ALL	
13B37024	BUSHING ASSY.	13B47024	ALL	
13B37025	BUSHING ASSY.	13B47025	ALL	
13B37026	BUSHING ASSY.	13B47026	ALL	
13B37027	BUSHING ASSY.	13B47027	ALL	
13B37028	BUSHING ASSY.	13B47028	ALL	
13B37219	BUSHING ASSY.	13B47219	ALL	
13B37220	BUSHING ASSY.	13B47220	ALL	
13B37221	BUSHING ASSY.	13B47221	ALL	
13B37222	BUSHING ASSY.	13B47222	ALL	
13B37223	BUSHING ASSY.	13B47223	ALL	
13B37224	BUSHING ASSY.	13B47224	ALL	
13B37225	BUSHING ASSY.	13B47225	ALL	
13B37226	BUSHING ASSY.	13B47226	ALL	
13B37227	BUSHING ASSY.	13B47227	ALL	
13B37228	BUSHING ASSY.	13B47228	ALL	
13B37229	BUSHING ASSY.	13B47229	ALL	
13B37230	BUSHING ASSY.	13B47230	ALL	
13B37231	BUSHING ASSY.	13B47231	ALL	
13B37232	BUSHING ASSY.	13B47232	ALL	
13B37234	BUSHING ASSY.	13B47234	ALL	
13C17315	CRANKSHAFT ASSY.	13C37315	ALL	
13C17327	CRANKSHAFT ASSY.	13C17315	ALL	
13C37338	CRANKSHAFT AND COUNTERWEIGHT ASSEMBLY	13C47338	ALL	
13C37339	CRANKSHAFT AND COUNTERWEIGHT ASSEMBLY	13C47339	ALL	

**SECTION 1  
NUMERICAL PARTS HISTORY SUPERSEDURES**

ORIGINAL PART NO.	NOMENCLATURE	SUPERSEDING PART NO.	USE	REFERENCES
13C37340	CRANKSHAFT AND COUNTERWEIGHT ASSEMBLY	13C47340	ALL	
13E17648	CRANKSHAFT ASSY.	13E27622	ALL	
13E17649	CRANKSHAFT ASSY.	13E27623	ALL	
13E17650	CRANKSHAFT ASSY.	13E27624	ALL	
13E17651	CRANKSHAFT ASSY.	13E27625	ALL	
13E17652	CRANKSHAFT ASSY.	13E27627	ALL	
13E17653	CRANKSHAFT ASSY.	13E27622	ALL	
13E17654	CRANKSHAFT ASSY.	13E27625	ALL	
13E17655	CRANKSHAFT ASSY.	13E27626	ALL	
13E17656	CRANKSHAFT ASSY.	13E27628	ALL	
13E17674	CRANKSHAFT ASSY.	13E27674	ALL	
13E17675	CRANKSHAFT ASSY.	05K27675	ALL	
13E17676	CRANKSHAFT ASSY.	05K27676	ALL	
13E17677	CRANKSHAFT ASSY.	05K27678	ALL	
13E17678	CRANKSHAFT ASSY.	05K27679	ALL	
13E17679	CRANKSHAFT ASSY.	05K27680	ALL	
13E17680	CRANKSHAFT ASSY.	05K27681	ALL	
13E17681	CRANKSHAFT ASSY.	05K27682	ALL	
13E17682	CRANKSHAFT ASSY.	05K27684	ALL	
13E17683	CRANKSHAFT ASSY.	05K27685	ALL	
13E17684	CRANKSHAFT ASSY.	05K27676	ALL	
13E17685	CRANKSHAFT ASSY.	05K27681	ALL	
13E17686	CRANKSHAFT ASSY.	05K27683	ALL	
13E17687	CRANKSHAFT ASSY.	05K27686	ALL	
13E17688	CRANKSHAFT ASSY.	05K27677	ALL	
13E17689	CRANKSHAFT ASSY.	05K27687	ALL	
13E27622	BUSHING ASSY.	13E47622	ALL	
13E27622	KIT CRANKSHAFT & C'W'T	05K27674		NOTE 509 72022 (2) ; 70416 (2) ROLLER-DYNAMIC COUNTERWEIGHT
13E27622	KIT CRANKSHAFT & C'W'T	05K27675		NOTE 510 70416 (4) ROLLER-DYNAMIC COUNTERWEIGHT
13E27622	KIT CRANKSHAFT & C'W'T	05K27676		NOTE 511 72965 (2) 72797(2)ROLLER-DYNAMIC COUNTERWEIGHT
13E27622	KIT CRANKSHAFT & C'W'T	05K27677		NOTE 512 76788 (2)LW-15558(2)ROLLER-DYNAMIC COUNTERWEIGHT
13E27623	BUSHING ASSY.	13E47623	ALL	
13E27623	KIT CRANKSHAFT & C'W'T	05K27678		
13E27624	BUSHING ASSY.	13E47624	ALL	
13E27624	KIT CRANKSHAFT & C'W'T	05K27680		
13E27625	BUSHING ASSY.	13E47625	ALL	

**SECTION 1  
NUMERICAL PARTS HISTORY SUPERSEDURES**

ORIGINAL PART NO.	NOMENCLATURE	SUPERSEDING PART NO.	USE	REFERENCES
13E27625	KIT CRANKSHAFT & C'W'T	05K27681		
13E27626	BUSHING ASSY.	13E47626	ALL	
13E27626	KIT CRANKSHAFT & C'W'T	05K27683		
13E27627	BUSHING ASSY.	13E47627	ALL	
13E27627	KIT CRANKSHAFT & C'W'T	05K27684		NOTE 513 72965 (2)72797(2)ROLLER-DYNAMIC COUNTERWEIGHT
13E27627	KIT CRANKSHAFT & C'W'T	05K27685		NOTE 514 76788 (2)LW-15558(2)ROLLER-DYNAMIC COUNTERWEIGHT
13E27628	BUSHING ASSY.	13E47628	ALL	
13E27628	KIT CRANKSHAFT & C'W'T	05K27687		
13F17735	CRANKSHAFT ASSY.	13F27735	ALL	
13F17750	CRANKSHAFT ASSY.	13F27725	ALL	
13F17751	CRANKSHAFT ASSY.	13F27726	ALL	
13F17752	CRANKSHAFT ASSY.	13F27727	ALL	
13F17753	CRANKSHAFT ASSY.	13F27728	ALL	
13F17754	CRANKSHAFT ASSY.	13F27729	ALL	
13F17755	CRANKSHAFT ASSY.	13F27730	ALL	
13F17756	CRANKSHAFT ASSY.	13F27731	ALL	
13F17757	CRANKSHAFT ASSY.	13F27732	ALL	
13F17758	CRANKSHAFT ASSY.	13F27733	ALL	
13F17759	CRANKSHAFT ASSY.	13F27734	ALL	
13F17760	CRANKSHAFT ASSY.	13F27735	ALL	
13F17761	CRANKSHAFT ASSY.	13F27736	ALL	
13F17762	CRANKSHAFT ASSY.	13F27737	ALL	
13F17763	CRANKSHAFT ASSY.	13F27738	ALL	
13F17764	CRANKSHAFT ASSY.	13F27739	ALL	
13F17765	CRANKSHAFT ASSY.	13F27740	ALL	
13F17766	CRANKSHAFT ASSY.	13F27741	ALL	
13F17767	CRANKSHAFT ASSY.	13F27742	ALL	
13F17775	CRANKSHAFT ASSY.	05K27775	ALL	
13F17776	CRANKSHAFT ASSY.	05K27776	ALL	
13F17777	CRANKSHAFT ASSY.	05K27777	ALL	
13F17778	CRANKSHAFT ASSY.	05K27778	ALL	
13F17779	CRANKSHAFT ASSY.	05K27779	ALL	
13F17780	CRANKSHAFT ASSY.	05K27780	ALL	
13F17781	CRANKSHAFT ASSY.	05K27781	ALL	
13F17782	CRANKSHAFT ASSY.	05K27782	ALL	
13F17783	CRANKSHAFT ASSY.	05K27783	ALL	

**SECTION 1  
NUMERICAL PARTS HISTORY SUPERSEDURES**

ORIGINAL PART NO.	NOMENCLATURE	SUPERSEDING PART NO.	USE	REFERENCES
13F17784	CRANKSHAFT ASSY.	05K27784	ALL	
13F17785	CRANKSHAFT ASSY.	05K27785	ALL	
13F17786	CRANKSHAFT ASSY.	05K27786	ALL	
13F17787	CRANKSHAFT ASSY.	05K27787	ALL	
13F17788	CRANKSHAFT ASSY.	05K27788	ALL	
13F17789	CRANKSHAFT ASSY.	05K27789	ALL	
13F17790	CRANKSHAFT ASSY.	05K27790	ALL	
13F17791	CRANKSHAFT ASSY.	05K27791	ALL	
13F17792	CRANKSHAFT ASSY.	05K27792	ALL	
13F27725	CRANKSHAFT BSHG.ASS'Y	05K37775		KIT-13F37725 Cr'shft & Bshg Assy
13F27726	CRANKSHAFT BSHG.ASS'Y	05K37776		KIT-13F37726 Cr'shft & Bshg Assy
13F27727	CRANKSHAFT BSHG.ASS'Y	05K37777		KIT-13F37727 Cr'shft & Bshg Assy
13F27728	CRANKSHAFT BSHG.ASS'Y	05K37778		KIT-13F37728 Cr'shft & Bshg Assy
13F27729	CRANKSHAFT BSHG.ASS'Y	05K37779		KIT-13F37729 Cr'shft & Bshg Assy
13F27730	CRANKSHAFT BSHG.ASS'Y	05K37780		KIT-13F37730 Cr'shft & Bshg Assy
13F27731	CRANKSHAFT BSHG.ASS'Y	05K37781		KIT-13F37731 Cr'shft & Bshg Assy
13F27732	CRANKSHAFT BSHG.ASS'Y	05K37782		KIT-13F37732 Cr'shft & Bshg Assy
13F27733	CRANKSHAFT BSHG.ASS'Y	05K37783		KIT-13F37733 Cr'shft & Bshg Assy
13F27734	CRANKSHAFT BSHG.ASS'Y	05K37784		KIT-13F37734 Cr'shft & Bshg Assy
13F27735	CRANKSHAFT BSHG.ASS'Y	05K37785		KIT-13F37735 Cr'shft & Bshg Assy
13F27736	CRANKSHAFT BSHG.ASS'Y	05K37786		KIT-13F37736 Cr'shft & Bshg Assy
13F27737	CRANKSHAFT BSHG.ASS'Y	05K37787		KIT-13F37737 Cr'shft & Bshg Assy
13F27738	CRANKSHAFT BSHG.ASS'Y	05K37788		KIT-13F37738 Cr'shft & Bshg Assy
13F27739	CRANKSHAFT BSHG.ASS'Y	05K37789		KIT-13F37739 Cr'shft & Bshg Assy
13F27740	CRANKSHAFT BSHG.ASS'Y	05K37790		KIT-13F37740 Cr'shft & Bshg Assy
13F27741	CRANKSHAFT BSHG.ASS'Y	05K37791		KIT-13F37741 Cr'shft & Bshg Assy
13F27742	CRANKSHAFT BSHG.ASS'Y	05K37792		KIT-13F37742 Cr'shft & Bshg Assy
13F27743	CRANKSHAFT BSHG.ASS'Y	05K37793		KIT-13F37743 Cr'shft & Bshg Assy
13F37725	BUSHING ASSY.	13F47725	ALL	
13F37726	BUSHING ASSY.	13F47726	ALL	
13F37727	BUSHING ASSY.	13F47727	ALL	

**SECTION 1  
NUMERICAL PARTS HISTORY SUPERSEDURES**

ORIGINAL PART NO.	NOMENCLATURE	SUPERSEDING PART NO.	USE	REFERENCES
13F37728	BUSHING ASSY.	13F47728	ALL	
13F37729	BUSHING ASSY.	13F47729	ALL	
13F37730	BUSHING ASSY.	13F47730	ALL	
13F37731	BUSHING ASSY.	13F47731	ALL	
13F37732	BUSHING ASSY.	13F47732	ALL	
13F37733	BUSHING ASSY.	13F47733	ALL	
13F37734	BUSHING ASSY.	13F47734	ALL	
13F37735	BUSHING ASSY.	13F47735	ALL	
13F37736	BUSHING ASSY.	13F47736	ALL	
13F37737	BUSHING ASSY.	13F47737	ALL	
13F37738	BUSHING ASSY.	13F47738	ALL	
13F37739	BUSHING ASSY.	13F47739	ALL	
13F37740	BUSHING ASSY.	13F47740	ALL	
13F37741	BUSHING ASSY.	13F47741	ALL	
13F37742	BUSHING ASSY.	13F47742	ALL	
13F37743	BUSHING ASSY.	13F47743	ALL	
13H17817	CR'SHFT. & BUSHING ASSY.	13H47817	ALL	
13H17818	CR'SHFT. & BUSHING ASSY.	13H47818	ALL	
13H17828	CRANKSHAFT ASSY.	13H17817	ALL	
13H17829	CRANKSHAFT ASSY.	13H17818		
13H17839	CR'SHFT. & CT'WT. ASSY.	13H47839	ALL	
13H17840	CR'SHFT. & BUSHING ASSY.	13H47840	ALL	
1421-B	CABLE	71882	ALL	
14D23907	PISTON - 7.3 : 1	14D28056		TIO/TIGO-541 ENGINES ONLY
14E22396	PISTON	14E23911		
14H21950	RING	14H21990		NOTE 379
156F001-10D0271	HOSE ASSY	N.L.A.		
156F003-10D0300	HOSE ASSY	N.L.A.		
15B21318	HYDRAULIC TAPPET BODY	15B26262		S.I. 1529A
15B26064	BODY - HYDRAULIC TAPPET	15B26262	ALL	S.I. 1529B
15B26088	HYDRAULIC LIFTER-HYPERBOLIC (ASSY)	15B28037		S.I. 1529C
15B26089	LIFTER - HYDRAULIC	N.L.A.	ALL	
15B26090	HYDRAULIC LIFTER-HYPERBOLIC (ASSY)(SOLID)	15B26088		S.I. 1529C
15B26091	TAPPET ASSEMBLY-VALVE-HYPERBOLIC (SOLID)	15B28041		S.I. 1529C



**SECTION 1  
NUMERICAL PARTS HISTORY SUPERSEDURES**

ORIGINAL PART NO.	NOMENCLATURE	SUPERSEDING PART NO.	USE	REFERENCES
15B26913	HYDRAULIC LIFTER-HYPERBOLIC (MACHINING)	15B28036		S.I. 1529C
15B26915	HYDRAULIC LIFTER-HYPERBOLIC (MACHINING)(SHORT)	15B28039		S.I. 1529C
15F19957-18	PUSH ROD ASSY.	N.L.A.		
15F19957-51	PUSH ROD ASSY.	N.L.A.		
15F21362-11	PUSH ROD ASSY.	N.L.A.		
15F21362-17	PUSH ROD ASSY.	N.L.A.		
15F21362-8	PUSH ROD ASSY.	N.L.A.		
15G23948-C	TUBE ASSY	N.L.A.		
15N23442	CAMSHAFT ASSY.	N.L.A.		
15N19949	CAMSHAFT	LW-13908	ALL	
16A19731	CYLINDER ASSY.	LW-16704	ALL	NOTE 201
16A23033	CYLINDER ASSY	16A26616	O-235	
16A23034	CYLINDER ASSY	16A26617	O-235	
16A23035	CYLINDER ASSY	16A26618	O-235	
16P21174-S	GUIDE	16P21709	ALL	
16R19730	GUIDE	LW-12137	ALL	NOTE 201
16R21175-S	GUIDE	16R21710	ALL	
16R22126	GUIDE, FLANGELESS	16R22127	ALL	S.I. 1256
16R22127	GUIDE	16R22291	ALL	S.I. 1256
179-B	GASKET	72053	ALL	
17B19712	VALVE	LW-19034	ALL	NOTE 201
17E22020	SEAT	17E22170	ALL	
17E22170	SEAT	17E22455	ALL	
17E22981	VALVE SPRING SEAT	N.L.A.		
17F19353	ROCKER ASSY.	17F19357	ALL	S.I. 1454
17F19710	ROCKER ASSY.	17F21190	ALL	
17F22426	ROCKER MACHINING ASSY.	17F23331	ALL	
17F23331	ROCKER MACHINING ASSY.	17F23342	ALL	
180-G	COVER	72378	ALL	
182-B	PLUG	N.L.A.		
1892-M	LOOM	71811	ALL	
18A19397	BEARING	N.L.A.		
18A19398	BEARING	N.L.A.		
18A19399	BEARING-CRANKSHAFT-FRONT	18B23885	ALL	S.I. 1512 Sup. No. 1 NOTE 3
18A19399-M03	BEARING-CRANKSHAFT-FRONT	18B23885-M03	ALL	
18A19399-M06	BEARING-CRANKSHAFT-FRONT	18B23885-M06	ALL	

**SECTION 1  
NUMERICAL PARTS HISTORY SUPERSEDURES**

ORIGINAL PART NO.	NOMENCLATURE	SUPERSEDING PART NO.	USE	REFERENCES
18A19399-M10	BEARING-CRANKSHAFT-FRONT	18B23885-M10	ALL	
18A19441	BEARING-CRANKSHAFT-FRONT	18A26093	ALL	S.I. 1512 Sup. No. 1 NOTE 3
18A19441-M03	BEARING-CRANKSHAFT-FRONT	18A26093-M03	ALL	
18A19441-M06	BEARING-CRANKSHAFT-FRONT	18A26093-M06	ALL	
18A19441-M10	BEARING-CRANKSHAFT-FRONT	18A26093-M10	ALL	
18A23141	BEARING-CRANKSHAFT	18A26094	ALL	S.I. 1512 Sup. No. 1 NOTE 3
18A23141-M03	BEARING-CRANKSHAFT	18A26094-M03	ALL	
18A23141-M06	BEARING-CRANKSHAFT	18A26094-M06	ALL	
18A23141-M10	BEARING-CRANKSHAFT	18A26094-M10	ALL	
18B23142	BEARING - CRANKSHAFT	18B26095	ALL	S.I. 1512 Sup. No. 1 NOTE 3
18B23142-M03	BEARING - CRANKSHAFT	18B26095-M03	ALL	
18B23142-M06	BEARING - CRANKSHAFT	18B26095-M06	ALL	
18B23142-M10	BEARING - CRANKSHAFT	18B26095-M10	ALL	
18D19393	BEARING - CRANKSHAFT	18D23140	ALL	
18D19394	BEARING - CRANKSHAFT	18D26096	ALL	S.I. 1512 Sup. No. 1 NOTE 3
18D19394-M03	BEARING - CRANKSHAFT	18D26096-M03	ALL	
18D19394-M06	BEARING - CRANKSHAFT	18D26096-M06	ALL	
18D19394-M10	BEARING - CRANKSHAFT	18D26096-M10	ALL	
18D19395	BEARING - CRANKSHAFT	18D26097	ALL	S.I. 1512 Sup. No. 1 NOTE 3
18D19395-M03	BEARING - CRANKSHAFT	18D26097-M03	ALL	
18D19395-M06	BEARING - CRANKSHAFT	18D26097-M06	ALL	
18D19395-M10	BEARING - CRANKSHAFT	18D26097-M10	ALL	
18D23135	BEARING - CRANKSHAFT	18D26098	ALL	S.I. 1512 Sup. No. 1 NOTE 3
18D23135-M03	BEARING - CRANKSHAFT	18D26098-M03	ALL	
18D23135-M06	BEARING - CRANKSHAFT	18D26098-M06	ALL	
18D23135-M10	BEARING - CRANKSHAFT	18D26098-M10	ALL	

**SECTION 1  
NUMERICAL PARTS HISTORY SUPERSEDURES**

ORIGINAL PART NO.	NOMENCLATURE	SUPERSEDING PART NO.	USE	REFERENCES
18D23136	BEARING - CRANKSHAFT	18D26099	ALL	S.I. 1512 Sup. No. 1 NOTE 3
18D23136-M03	BEARING - CRANKSHAFT	18D26099-M03	ALL	
18D23136-M06	BEARING - CRANKSHAFT	18D26099-M06		
18D23136-M10	BEARING - CRANKSHAFT	18D26099-M10	ALL	
18D23137	BEARING - CRANKSHAFT	18D26100	ALL	S.I. 1512 Sup. No. 1 NOTE 3
18D23137-M03	BEARING - CRANKSHAFT	18D26100-M03	ALL	
18D23137-M06	BEARING - CRANKSHAFT	18D26100-M06	ALL	
18D23137-M10	BEARING - CRANKSHAFT	18D26100-M10	ALL	
18D23139	BEARING - CRANKSHAFT	18D26101	ALL	S.I. 1512 Sup. No. 1 NOTE 3
18D23139-M03	BEARING - CRANKSHAFT	18D26101-M03	ALL	
18D23139-M06	BEARING - CRANKSHAFT	18D26101-M06	ALL	
18D23139-M10	BEARING - CRANKSHAFT	18D26101-M10	ALL	
18D23140	BEARING - CRANKSHAFT	18D26102	ALL	S.I. 1512 Sup. No. 1 NOTE 3
18D23140-M03	BEARING - CRANKSHAFT	18D26102-M03	ALL	
18D23140-M06	BEARING - CRANKSHAFT	18D26102-M06	ALL	
18D23140-M10	BEARING - CRANKSHAFT	18D26102-M10	ALL	
18E19396	BEARING - CRANKSHAFT	18E23138	ALL	
18E23138	BEARING - CRANKSHAFT	18E26103	ALL	S.I. 1512 Sup. No. 1 NOTE 3
18E23138-M03	BEARING - CRANKSHAFT	18E26103-M03	ALL	
18E23138-M06	BEARING - CRANKSHAFT	18E26103-M06	ALL	
18E23138-M10	BEARING - CRANKSHAFT	18E26103-M10	ALL	
18M19388	BEARING - CONN. ROD	18M26104	ALL	S.I. 1512 Sup. No. 1 NOTE 3
18M19388-M03	BEARING - CONN. ROD	18M26104-M03	ALL	
18M19388-M06	BEARING - CONN. ROD	18M26104-M06	ALL	
18M19388-M10	BEARING - CONN. ROD	18M26104-M10	ALL	
18M19389	BEARING - CONN. ROD	18M26105	ALL	S.I. 1512 Sup. No. 1 NOTE 3

**SECTION 1  
NUMERICAL PARTS HISTORY SUPERSEDURES**

ORIGINAL PART NO.	NOMENCLATURE	SUPERSEDING PART NO.	USE	REFERENCES
18M19389-M03	BEARING - CONN. ROD	18M26105-M03	ALL	
18M19389-M06	BEARING - CONN. ROD	18M26105-M06	ALL	
18M19389-M10	BEARING - CONN. ROD	18M26105-M10	ALL	
18N19391	BEARING - CONN. ROD	18N26106	ALL	S.I. 1512 Sup. No. 1 NOTE 3
18N19391-M03	BEARING - CONN. ROD	18N26106-M03	ALL	
18N19391-M06	BEARING - CONN. ROD	18N26106-M06	ALL	
18N19391-M10	BEARING - CONN. ROD	18N26106-M10	ALL	
20F21723	COVER-PROP GOV DRIVE	N.L.A.		
218-B	SOCKET	N.L.A.		
21A19412	HOUSING ASSY.	21A21533-19	ALL	
21A21081	HOUSING ASSY.	21A221651-A	ALL	
21A21439	HOUSING ASSY.	21A21533-20	ALL	
21A21535-01	HOUSING ASSY.	21A21536-01	ALL	
21A21535-02	HOUSING ASSY.	21A21536-02	ALL	
21A21535-03	HOUSING ASSY.	21A21536-03	ALL	
21A21535-05	HOUSING ASSY.	21A21536-05	ALL	
21A21535-06	HOUSING ASSY.	21A21536-06	ALL	
21A21535-07	HOUSING ASSY.	21A21536-07	ALL	
21A21652	HOUSING ASSY.	N.L.A.		
21A21652-01	HOUSING ASSY.	N.L.A.		
21B21068-1	HOUSING ASSY.	21B21601-01, -02, -03		NOTE 372
21B21068-2	HOUSING ASSY.	21B21602-01	ALL	
21B21068-3	HOUSING ASSY.	21B21601-02	ALL	
21B21068-4	HOUSING ASSY.	21B21603-01, -02		NOTE 373
21B21068-5	HOUSING ASSY.	21B21604-01	ALL	
21B21068-6	HOUSING ASSY.	21B21603-02	ALL	
21B21068-7	HOUSING ASSY.	21B21601-03	ALL	
21B21068-8	HOUSING ASSY.	21B21605-01	ALL	
21B21068-9	HOUSING ASSY.	21B21606-01	ALL	
21B21603-02	HOUSING ASSY.	21B21603-01	ALL	
21C19777	HOUSING ASSY.	21C21542-04	ALL	
21C19863	HOUSING ASSY.	21C21543-01	ALL	
21C21151	HOUSING ASSY.	21C21541-03	ALL	
21C21200	HOUSING ASSY.	21C21540-02	ALL	
21C21538-02	HOUSING ASSY. STUD	21C21538-01		
21C21540-01	HOUSING ASSY.	21C21539-02	ALL	
21C21540-02	HOUSING ASSY.	21C21539-03	ALL	

**SECTION 1  
NUMERICAL PARTS HISTORY SUPERSEDURES**

ORIGINAL PART NO.	NOMENCLATURE	SUPERSEDING PART NO.	USE	REFERENCES
21C21544	HOUSING ASSY.	N.L.A.		
21C21545-01	HOUSING ASSY.	21C21541-04	ALL	
21D19448-1	HOUSING ASSY.	21D21069-15	ALL	
21D21069-1	HOUSING ASSY.	21D21607-01, -02, -03		NOTE 374
21D21069-10	HOUSING ASSY.	21D21069-3	ALL	
21D21069-11	HOUSING ASSY.	21D21069-3	ALL	
21D21069-12	HOUSING ASSY.	21D21608-05	ALL	
21D21069-13	HOUSING ASSY.	21D21611-01	ALL	
21D21069-14	HOUSING ASSY.	21D21069-2	ALL	
21D21069-15	HOUSING ASSY.	21D21612-01	ALL	
21D21069-2	HOUSING ASSY.	21D21608-01, -02, -03, -04, -06		NOTE 375
21D21069-3	HOUSING ASSY.	21D21609-01, -02, -03		NOTE 376
21D21069-4	HOUSING ASSY.	21D21069-1	ALL	
21D21069-5	HOUSING ASSY.	21D21069-2	ALL	
21D21069-6	HOUSING ASSY.	21D21069-2	ALL	
21D21069-7	HOUSING ASSY.	21D21069-1	ALL	
21D21069-8	HOUSING ASSY.	21D21610-01	ALL	
21D21069-9	HOUSING ASSY.	21D21069-2	ALL	
21E21547-01	STUDDING, ACCY HOUSING ASSY	N.L.A.		
21F21070-1	HOUSING ASSY.	21F21613-01, -02,- 03		NOTE 402
21F21070-2	HOUSING ASSY.	21F21070-1	ALL	
21F21070-3	HOUSING ASSY.	21F21070-1	ALL	
21F21613-02	HOUSING ASSY.	N.L.A.		
21M19919	COVER	21M21643	ALL	
21M21643	COVER-OIL FILTER BASE	21M23736	ALL	
21M21657	COVER-OIL FILTER BASE	21M23737	ALL	
25-11-P03	STUD	N.L.A.		
25-12-P03	STUD	N.L.A.		
25-12-P07	STUD	N.L.A.		
25-13-P03	STUD	N.L.A.		
25-13-P07	STUD	N.L.A.		
25-13-P12	STUD	N.L.A.		
25-14-P03	STUD	N.L.A.		
25-14-P07	STUD	N.L.A.		
25-16-P03	STUD	N.L.A.		
25-17	STUD	25C-29		NOTE 383
25-19-P03	STUD	N.L.A.		
25-21	STUD	N.L.A.		
25-23	STUD	N.L.A.		
25-23-P03	STUD	N.L.A.		

**SECTION 1  
NUMERICAL PARTS HISTORY SUPERSEDURES**

ORIGINAL PART NO.	NOMENCLATURE	SUPERSEDING PART NO.	USE	REFERENCES
25-24	STUD	N.L.A.		
25-27-P03	STUD	N.L.A.		
25-28	STUD	N.L.A.		
25-37	STUD	N.L.A.		
25-38	STUD	N.L.A.		
257-B	STUD	N.L.A.		
25-9	STUD	25C-9	ALL	
25-9-P03	STUD	N.L.A.		
25C-11-P12	STUD	N.L.A.		
25C-12-P07	STUD	N.L.A.		
25C-14	STUD	25C-13	ALL	NOTE 382
25C-18-P03	STUD	N.L.A.		
25CD-18-P07	STUD	N.L.A.		
25D-10	STUD	N.L.A.		
25D-10-P03	STUD	N.L.A.		
25D-21	STUD	N.L.A.		
25D-25-P03	STUD	N.L.A.		
25D-26-P07	STUD	N.L.A.		
25D-8-P03	STUD	N.L.A.		
27L21732	GEAR	N.L.A.		
29C21146	DRIVE ASSY.	29A21405	ALL	
29C22454	ADAPTER ASSY.	N.L.A.		
29G21730	GEAR	N.L.A.		
31-11	STUD	31-12	ALL	
31-11-P03	STUD	N.L.A.		
31-11-P12	STUD	N.L.A.		
31-13-P03	STUD	N.L.A.		
31-16-P12	STUD	N.L.A.		
31-17-P03	STUD	N.L.A.		
31-18	STUD	N.L.A.		
31-18-P03	STUD	N.L.A.		
31-21-P03	STUD	N.L.A.		
3126-4W	CABLE	5982	ALL	
31-33	STUD	N.L.A.		
31A21198	STARTER ASSEMBLY	05K21302-1	ALL	S.I. 1461
31A21198	STARTER ASSEMBLY	N.L.A.		
31A21210	STARTER ASSEMBLY	05K21302-3	ALL	
31B22477	STARTER ASSEMBLY	31B26900	ALL	S.I.1154
31C-10-P12	STUD	N.L.A.		
31C-13-P12	STUD	N.L.A.		
31C-18	STUD	31C-17, 31C-19	ALL	NOTE 384
31C-25	STUD	31C-24	ALL	

**SECTION 1  
NUMERICAL PARTS HISTORY SUPERSEDURES**

ORIGINAL PART NO.	NOMENCLATURE	SUPERSEDING PART NO.	USE	REFERENCES
31C-8	STUD	LW-13794		S.I. 1310
31D-14	STUD	N.L.A.		
31D21088	HOUSING ASSY.	N.L.A.		
31M21413	SUPPORT ASSY.	31M21308	ALL	
31M22012	SUPPORT ASSY.	31M22028		
31M22782	SUPPORT ASSY.	N.L.A.		
31M23355	SUPPORT ASSY.	N.L.A.		
31R21384	SUB ASSY. 12V	N.L.A.		
31R21385	SUB ASSY. 24V	N.L.A.		
31R21386	MOTOR SUB ASSY. 12V	N.L.A.		
31R21387	MOTOR SUB ASSY. 12V	N.L.A.		
31R21388	ARMATURE ASSY.	N.L.A.		
31R21389	DRIVE ASSY, 12/14 P	N.L.A.		
31R21390	DRIVE ASSY. 10/12 P	N.L.A.		
31R21391	BRUSH PLATE ASSY.	N.L.A.		
31R21392	SOLENOID 12V	N.L.A.		
31R21393	SOLENOID 24V	N.L.A.		
31R21394	END CAP	N.L.A.		
31R21395	HOUSING ASSY.	N.L.A.		
31R21396	COIL HSG. ASSY. 12V	N.L.A.		
31R21397	COIL HSG. ASSY. 24V	N.L.A.		
31R21398	SHAFT LEVER	N.L.A.		
31R21399	TORSION SPRING	N.L.A.		
31R21400	DUST COVER	N.L.A.		
31R21401	BOLT	N.L.A.		
32C19551	ALTERNATOR ASSY.	32C19553	ALL	S.I. 1154
32C19552	ALTERNATOR ASSY.	32C19554	ALL	S.I. 1154
32C19556	ALTERNATOR ASSY.	32C19562	ALL	S.I. 1154
32C19558	ALTERNATOR ASSY.	32C22528	ALL	S.I. 1154
32C19559	ALTERNATOR ASSY.	32C19556	ALL	S.I. 1154
32C19562	ALTERNATOR ASSY.	32C22527	ALL	S.I. 1154
32C21327	ALTERNATOR ASSY.	32C21681	ALL	
32C21422	ALTERNATOR ASSY.	N.L.A.		S.I. 1154
32C21649	ALTERNATOR ASSY.	N.L.A.		S.I. 1154
32C21650	ALTERNATOR ASSY.	N.L.A.		S.I. 1154
32C21703	ALTERNATOR ASSY.	32C23585	ALL	
32C21703	ALTERNATOR ASSY.	32C23586	ALL	THERMOCOUPLED
32C22375	ALTERNATOR ASSY.	32C22492	ALL	
32F21163	SPACER	32F21674	ALL	NOTE 201
32F21668	SPACER	N.L.A.		
32G19959	FAN	32G21675	ALL	NOTE 201

**SECTION 1  
NUMERICAL PARTS HISTORY SUPERSEDURES**

ORIGINAL PART NO.	NOMENCLATURE	SUPERSEDING PART NO.	USE	REFERENCES
32G21669	FAN	N.L.A.		
36B21165	PULLEY	36B21680	ALL	NOTE 201
36B21421	PULLEY	N.L.A.		
36B21672	PULLEY	N.L.A.		
36B21960	PULLEY	N.L.A.		
36C19796	IDLER SHAFT	LW-19237	ALL	
36C23248	SHAFT	N.L.A.		
37A19476	BELT	37A19773-464	ALL	
37B19774-331	BELT - ALTERNATOR DRIVE	37B19774-325		THIS BELT IS 1/4" LONGER
37B19774-350	BELT - GENERATOR DRIVE	37B19774-341	ALL	
38-14	STUD	38-13	ALL	
38-18	STUD	N.L.A.		
38-18-P03	STUD	N.L.A.		
38-21-P12	STUD	N.L.A.		
38-31-P07	STUD	N.L.A.		
38D-19-P03	STUD	N.L.A.		
38D22	STUD	38D-21	ALL	
400142-815	PIN	N.L.A.		
400146-204	NUT	N.L.A.		
400207-8	O-RING	N.L.A.		
400208-5	O-RING	N.L.A.		
400231-6	PLUG & BLEEDER	N.L.A.		
400377-5	SCREW	N.L.A.		
400539-10	PIN	N.L.A.		
408768-3	SPACER	N.L.A.		
40B19830	MANIFOLD ASSY.	N.L.A.		NOTE 205
40B19857	PIPE	40B21011	ALL	
40B19858	PIPE	40B19974 & 40B19975	ALL	
40B19939	COVER	40B22295	ALL	
40B19943	PIPE	40B22295	ALL	NOTE 369
40B21011	PIPE	40B21147	ALL	S.I. 1448
40B22304	PIPE-EXHAUST - CYL#2 & CROSSOVER	40B23369	ALL	
40B22318	PIPE - EXHAUST CYLINDER NO. 2	40B23386		
40B22319	PIPE	40B22621		
40B23154	EXHAUST PIPE	40B23369	ALL	
40D21162-340M	COUPLING -V-BAND	40D23255-340M	ALL	S.I.1448
40G19898	CLAMP	40G19982	ALL	
40G19901	LINK	40G19917	ALL	NOTE 201, S.I. 1448
40G19917	LINK	40G21689	ALL	S.I. 1448



**SECTION 1  
NUMERICAL PARTS HISTORY SUPERSEDURES**

ORIGINAL PART NO.	NOMENCLATURE	SUPERSEDING PART NO.	USE	REFERENCES
40G21689	LINK	40G22646	ALL	S.I. 1448
40J19894	HEAT SHIELD	40J21026 & 40J21019	ALL	
40J21026	HEAT SHIELD	40J22416	ALL	
41A21926	PIPE - FUEL INJ AIR INLET	41A22742	ALL	
41A23297	HOUSING - AIR INLET	N.L.A.		
42E21363	PIPE	42E22376		
42E21364	PIPE	42E22377		
42K19892	PIPE	42L19892	ALL	
475204-11	WASHER	N.L.A.		
475204-13	WASHER	N.L.A.		
475204-14	WASHER	N.L.A.		
475204-16	WASHER	N.L.A.		
475204-17	WASHER	N.L.A.		
476130-3	BUSHING	N.L.A.		
476226-2	BOOT ASSY.	N.L.A.		
476648-1	POPPET	N.L.A.		
476842-1	CLEVIS	N.L.A.		
476884-2	PACKING U CUP	N.L.A.		
477358-1	TURNBUCKLE	N.L.A.		
477359-1	CLEVIS	N.L.A.		
477359-2	CLEVIS	N.L.A.		
477535-1	SHIM	N.L.A.		
477535-2	SHIM	N.L.A.		
47C19818	TRANSITION	47C22531	ALL	
47C19845	TRANSITION	47C22532	ALL	
47C19847	TRANSITION	47C22533	ALL	S.B. 491
47C19848	TRANSITION	47C21952	ALL	S.B. 523
47J21012	VALVE ASSY.	47E21296	ALL	S.I. 1448
47J21296	VALVE ASSY.	47E21296	ALL	
48E19908	CONTROLLER	48E21297	ALL	
48E19909	CONTROLLER ASSY.	48E21383	ALL	
48E19928	CONTROLLER	N.L.A.		
48H19922	NOZZLE	48H21010	ALL	
4E-1239	SUPPORT ASSY.	77236	ALL	
513-E	NUT	N.L.A.		
517-B	RING	N.L.A.		
53E19600	VALVE ASSY.	53E22144	ALL	NOTE 527
53E22144	VALVE ASSY.	53E22013		NOTE 380
54D19625	OIL FILTER	N.L.A.		SSP-885-1
54D19626	OIL FILTER	N.L.A.		SSP-885-1
54D19627	OIL FILTER	N.L.A.		SSP-885-1
54D19628	OIL FILTER	N.L.A.		SSP-885-1

**SECTION 1  
NUMERICAL PARTS HISTORY SUPERSEDURES**

ORIGINAL PART NO.	NOMENCLATURE	SUPERSEDING PART NO.	USE	REFERENCES
54E23073	KIT, OIL FILTER ADAPTER	54E23093		S.B. 543
54F19923	ADAPTER ASSY.	54F21078	ALL	NOTE 201
54F21078	ADAPTER ASSY	54J21078		
55C21021	SPRING	05S21021	ALL	S.I. 1442
56A19794	SUMP ASSY.	56J19795	ALL	
56A19856	HOUSING ASSY.	56A22634-01	ALL	
56A21247	HOUSING ASSY.	56A22648-02		
56A21417	HOUSING ASSY.	56A22648-02		
56A21692-01	HOUSING ASSY.	56A21692-04	ALL	NOTE 201
56A21692-02	HOUSING ASSY.	56A21692-03	ALL	NOTE 201
56A21692-03	HOUSING ASSY.	56A26071-03		NOTE 201
56A21692-07	HOUSING ASSY.	56A21692-08	ALL	NOTE 201
56A22529	HOUSING ASSY.	56A22634-02		
56A22634-01	HOUSING ASSY.	56A26070-01	ALL	
56C22332	OIL LEVEL GAGE (LONG)	56C23075		
5622407	VALVE	N.L.A.		
5623664	SPRING	N.L.A.		
58204-2700	LEAD ASSY.	N.L.A.		
58204-3600	LEAD ASSY.	N.L.A.		
58204-3708	LEAD ASSY.	N.L.A.		
58204-4100	LEAD ASSY.	N.L.A.		
58204-4308	LEAD ASSY.	N.L.A.		
58513-4904	LEAD ASSY.	N.L.A.		
58513-5004	LEAD ASSY.	N.L.A.		
58513-5104	LEAD ASSY.	N.L.A.		
58513-5604	LEAD ASSY.	N.L.A.		
58513-5804	LEAD ASSY.	N.L.A.		
58B19497	TANK	58B19764	ALL	
58B19890	TANK	58B22629	ALL	S.B. 534
58B19891	TANK	58B22630	ALL	S.B. 534
58B21913	TANK	58B22631	ALL	
59346-3600	LEAD ASSY.	N.L.A.		
59346-3708	LEAD ASSY.	N.L.A.		
59346-4100	LEAD ASSY.	N.L.A.		
59687-4904	LEAD ASSY.	N.L.A.		
59693-5004	LEAD ASSY.	N.L.A.		
59693-5804	LEAD ASSY.	N.L.A.		
59694-4904	LEAD ASSY.	N.L.A.		
59694-5004	LEAD ASSY.	N.L.A.		
59694-5104	LEAD ASSY.	N.L.A.		
59694-5604	LEAD ASSY.	N.L.A.		

**SECTION 1  
NUMERICAL PARTS HISTORY SUPERSEDURES**

ORIGINAL PART NO.	NOMENCLATURE	SUPERSEDING PART NO.	USE	REFERENCES
59694-5804	LEAD ASSY.	N.L.A.		
59766-0904	LEAD ASSY.	N.L.A.		
59766-1504	LEAD ASSY.	N.L.A.		
60482-1	ROD	69472		S.I.1060
61246-S	GASKET	75906	ALL	
61387-P03	SLEEVE	N.L.A.		
61474-S	ROD ASSY.	61476-S	ALL	NOTE 201
61476-S	ROD ASSY.	78030-S	ALL	NOTE 201
61B23955	CARBURETOR	61B26215		S.I. 1523 O-360-J2A
61C22016	CARBURETOR	61C22299	ALL	S.I. 1523
61C22299	CARBURETOR	61C22451	ALL	S.I.1523
61C22451	CARBURETOR	61C26050	ALL	S.I. 1523 ALTERNATES (O-540-F1B5)
61C22551	CARBURETOR	61C26052		S.I. 1523 ALTERNATES (O-360-A1P)
61C23100	CARBURETOR	61C26051		S.I. 1523 ALTERNATES (O-360-A4M)
61C23531	CARBURETOR	61C26128	ALL	S.I.1523
61E22121	CARBURETOR	61E22534	ALL	S.I.1523
61E22534	CARBURETOR	61E26395		S.I.1523
61J22300	FUEL INJECTOR	61J23428	ALL	
61J22989	FUEL INJECTOR	61J23431	ALL	
61M19888	FUEL INJECTOR 2549038-3	61M26354 2549038-4		NO VENT
61M21166	FUEL INJECTOR	61M22189	ALL	
61M22458	FUEL INJECTOR	61M26025		TIO-540-AH1A ONLY
61M22606	FUEL INJECTOR VENT	61M23265		
61M22620	FUEL INJECTOR	61M23264		
61M23264	FUEL INJECTOR	61M23430	ALL	
61M23265	FUEL INJECTOR	61M23429	ALL	
61M23319	FUEL INJECTOR	61M23425	ALL	
61M23425	FUEL INJECTOR	61M23587		
61P23131-L	FUEL CONTROL	N.L.A.		
61P23131-R	FUEL CONTROL	N.L.A.		
62530-S	BUSHING	72067-S	ALL	
62D21153	FUEL PUMP	62D22573		S.B. 539A
62D22565	FUEL PUMP	62D26030 201F-5001	ALL	S.I. 1533 Interchangeable
62D22566	FUEL PUMP	62D26031 201F-5002	ALL	S.I. 1533 Interchangeable
62D22567	FUEL PUMP	62D26032 201F-5003	ALL	S.I. 1533 Interchangeable
62D22568	FUEL PUMP	62D26033 201F-5004	ALL	S.I. 1533 Interchangeable
62D22569	FUEL PUMP	62D26034 201F-5005	ALL	S.I. 1533 Interchangeable
62D22570	FUEL PUMP	62D26035 201F-5006	ALL	S.I. 1533 Interchangeable
62D22572	FUEL PUMP	62D26036 201F-5007	ALL	S.I. 1533 Interchangeable
62D22573	FUEL PUMP	62D26037 201F-5008	ALL	S.I. 1533 Interchangeable

**SECTION 1  
NUMERICAL PARTS HISTORY SUPERSEDURES**

ORIGINAL PART NO.	NOMENCLATURE	SUPERSEDING PART NO.	USE	REFERENCES
62E19758	FUEL PUMP ASSY.	62E22770	ALL	S.B. 494, S.B. 497
62E19952	PUMP ASSY.	62E22763	ALL	S.B. 487
62E22288	FUEL PUMP	62E22586	ALL	S.B. 539A
62E22580	FUEL PUMP	62E23185 200F-5001	ALL	S.I. 1533 Interchangeable
62E22581	FUEL PUMP	62E23186 200F-5002	ALL	S.I. 1533 Interchangeable
62E22582	FUEL PUMP	62E23187 200F-5004	ALL	S.I. 1533 Interchangeable
62E22583	FUEL PUMP	62E23188 200F-5003	ALL	S.I. 1533 Interchangeable
62E22584	FUEL PUMP	62E23189 200F-5005	ALL	S.I. 1533 Interchangeable
62E22587	FUEL PUMP	62E23190 200F-5006	ALL	S.I. 1533 Interchangeable
62E22758	FUEL PUMP ASSY.	N.L.A.		
62E22759	FUEL PUMP ASSY.	N.L.A.		
63A19948	MANIFOLD ASSY.	63B19948	ALL	
63B22196	MANIFOLD ASSY.	63B22623	ALL	S.I. 1489
63B22636	MANIFOLD ASSY.	63B23280		
63E23295	MANIFOLD ASSY.	N.L.A.		
63E23296	MANIFOLD ASSY.	N.L.A.		
6414759	GUIDE-VALVE-BASIC	N.L.A.		
6416624	SEAT VALVE GM-CANADE	N.L.A.		
6416774	GUIDE-VALVE	N.L.A.		
6416806	VALVE SEAT	N.L.A.		
6416963	VALVE SEAT	N.L.A.		
64530-9	SLEEVE	N.L.A.		
64542-2112	LEAD ASSY.	N.L.A.		
65366-P20	BEARING-THRUST	N.L.A.		
654-B	SPRING	73761	ALL	
657-C	VALVE ASSY.	N.L.A.		
658-D	BODY	N.L.A.		
65986-P33B	SHAFT- PINION	N.L.A.		
6602-10-10-10	TEE SWIVEL	N.L.A.		
661-B	SCREW	N.L.A.		
66529-S	GUIDE, VALVE	66529		SI 1256E
666-817	KIT, CARBURETOR	N.L.A.		
666-818	KIT, CARBURETOR	N.L.A.		S.I.1370
666-821	KIT, CARBURETOR	N.L.A.		S.B. 434
66A21766	MAGNETO	N.L.A.		S.B. 516
66A21767	MAGNETO	N.L.A.		S.B. 516
66A21768	MAGNETO	N.L.A.		S.B. 516
66A21769	MAGNETO	N.L.A.		S.B. 516
66A21770	MAGNETO	N.L.A.		S.B. 516
66A21771	MAGNETO	N.L.A.		S.B. 516
66B21781	MAGNETO	N.L.A.		
66E21552	MAGNETO	N.L.A.		

**SECTION 1  
NUMERICAL PARTS HISTORY SUPERSEDURES**

ORIGINAL PART NO.	NOMENCLATURE	SUPERSEDING PART NO.	USE	REFERENCES
66E21555	MAGNETO	66E21585	ALL	
66E21572	MAGNETO, IGNITION SYSTEM	66E21561	ALL	
66HC05SFNN	MAGNETO	66GC05SFNN	ALL	S.I. 1443
66HC15RFNN	MAGNETO	66GC15RFNN	ALL	S.I. 1443
66HC15SFNN	MAGNETO	66GC15SFNN	ALL	S.I. 1443
66HC20SFNN	MAGNETO	66GC20SFNN	ALL	S.I. 1443
66HC25RFNN	MAGNETO	66GC25RFNN	ALL	S.I. 1443
66HC25SFGN	MAGNETO	66GC25SFGN	ALL	S.I. 1443
66HC25SFNN	MAGNETO	66GC25SFNN	ALL	S.I. 1443
66HP-0RAEN	MAGNETO	66GP-0RAEN	ALL	S.I. 1443
66HP-0RANN	MAGNETO	66GP-0RANN	ALL	S.I. 1443
66HP-0SAEN	MAGNETO	66GP-0SAEN	ALL	S.I. 1443
66HP-0SAGN	MAGNETO	66GP-0SAGN	ALL	S.I. 1443
66HP-0SANN	MAGNETO	66GP-0SANN	ALL	S.I. 1443
66HR15SANN	MAGNETO	66GR15SANN	ALL	S.I. 1443
66HR25RANN	MAGNETO	66GR25RANN	ALL	S.I. 1443
66HR25SANN	MAGNETO	66GR25SANN	ALL	S.I. 1443
66JC35RDNP	MAGNETO	66LC35RDNP	ALL	S.I. 1443
66JC35SDNN	MAGNETO	66LC35SDNN	ALL	S.I. 1443
66JC35SDNP	MAGNETO	66LC35SDNP	ALL	S.I. 1443
66JC45SDNN	MAGNETO	66LC45SDNN	ALL	S.I. 1443
66JP-0RCNP	MAGNETO	66LP-0RCNP	ALL	S.I. 1443
66JP-0SCEN	MAGNETO	66LP-0SCEN	ALL	S.I. 1443
66JP-0SCGN	MAGNETO	66LP-0SCGN	ALL	S.I. 1443
66JP-0SCNN	MAGNETO	66LP-0SCNN	ALL	S.I. 1443
66JP-0SCNP	MAGNETO	66LP-0SCNP	ALL	S.I. 1443
66JP-0SCNP	MAGNETO	66LP-0SCNP	ALL	S.I. 1443
66JR25RCNP	MAGNETO	66LR25RCNP	ALL	S.I. 1443
66JR25SCNP	MAGNETO	66LR25SCNP	ALL	S.I. 1443
66JR30SCNP	MAGNETO	66LR30SCNP	ALL	S.I. 1443
66JR37RCNN	MAGNETO	66LR37RCNN	ALL	S.I. 1443
66JR37SCNN	MAGNETO	66LR37SCNN	ALL	S.I. 1443
66SLC-1011-04	CONT - LASER	N.L.A.		
66SLC-1022-03	CONT - LASER	N.L.A.		
67393-A	GEAR PINION	N.L.A.		
67H21471	HARNESS	67H21475, 67H21476	ALL	NOTE 377
67H21474	HARNESS	67H21477, 67H21478	ALL	NOTE 378
67L20424-P	HARNESS ASSEMBLY	N.L.A.		
67Y21825	HARNESS ASSEMBLY	N.L.A.		
67Y21875	HARNESS ASSEMBLY	N.L.A.		
67Y21876	HARNESS ASSEMBLY	N.L.A.		
67Y21897	HARNESS ASSEMBLY	N.L.A.		

**SECTION 1  
NUMERICAL PARTS HISTORY SUPERSEDURES**

ORIGINAL PART NO.	NOMENCLATURE	SUPERSEDING PART NO.	USE	REFERENCES
67Y22550	HARNESS ASSEMBLY	N.L.A.		
68300-S	HOUSING ASSY.	69733-S	ALL	NOTE 201
68510-P07	STUD	N.L.A.		
68700-S	BUSHING	72064-S	ALL	S.B. 253
68751-P07	STUD	N.L.A.		
68866-S	BUSHING	72065-S		S.B. 253, NOTE 201
68C19465	GEAR	68C19622	ALL	
69080-1,-2	SPACER	LW-11172-1,-2		NOTE 201, S.I. 1032
69376-P03	STUD	N.L.A.		
69469-1	ROD ASSY.	N.L.A.		
69470-1	ROD ASSY.	73411		S.I. 1060
69641-P20	STUD	N.L.A.		
69823-P03	STUD	N.L.A.		
69823-P07	STUD	N.L.A.		
70393, 70394, 70395	WASHER	73249, 73250, 73251, 73252		NOTE 63
703-AA	EYE, LIFTING	N.L.A.		
70470-P03	STUD	N.L.A.		
71087-S	BOLT	74033	ALL	NOTE 201
71451-P05	BUSHING, ROCKER SHAFT	N.L.A.		
71453-1	ROD ASSY.	73445	ALL	
715-C	PACKING	N.L.A.		
71710-R	CARBURETOR	N.L.A.		
71749-S	IMP. & SHAFT ASSY.	74535-S		S.I. 1032
71879-S	SEAL	76940	ALL	
71947-S	ROD ASSY.	73174-S	ALL	NOTE 206, S.I.1106
71987-S	ROD ASSY.	74502-S	ALL	NOTE 201, S.I. 1106
71995-1	ROD ASSY.	71688	ALL	
72043-1	GAGE ASSY.	LW-14756-1	ALL	
72062-S-P20	BUSHING	N.L.A.		
72064-S-P05	BUSHING	N.L.A.		
72065-S-P20	BUSHING	N.L.A.		
72074-S-P10	BUSHING	N.L.A.		
72115-P20	GUIDE VALVE	N.L.A.		
72242-C	COVER ASSY	N.L.A.		
72264-2	ELBOW ASSY.	N.L.A.		
72454-P10	RING	N.L.A.		
72579-S	HOUSING ASSY.	74962-S	ALL	NOTE 201
72606-S	ROD ASSY.	73174-S	ALL	S.I. 1106
72718-1	ROD ASSY.	73545	ALL	
72859-1	GAGE ASSY.	LW-14775-1	ALL	
72892-1	GAGE ASSY.	72859-1	ALL	
72903-1	PIPE	LW-10154	ALL	

**SECTION 1  
NUMERICAL PARTS HISTORY SUPERSEDURES**

ORIGINAL PART NO.	NOMENCLATURE	SUPERSEDING PART NO.	USE	REFERENCES
72903-2	PIPE	LW-10153	ALL	
72904-1	PIPE	LW-10150		
72904-2	PIPE	LW-10151	ALL	
72984-1	GAGE ASSY.	73120-1	ALL	
73112-S	SEAT	76093	ALL	
73120-1	GAGE ASSY.	LW-14774-1	ALL	
73174-S	ROD ASSY.	75548-S		NOTE 201
73183-1	PIPE	LW-10156	ALL	
73183-2	PIPE	LW-10157	ALL	
73183-3	PIPE	LW-10158	ALL	
73183-4	PIPE	LW-10155	ALL	
73361-S	BRACKET	LW-14043	ALL	
73757-S-P15	BUSHING	N.L.A.		
737-D	STUD	31D-16	ALL	
73811-S-P05	BUSHING	N.L.A.		
73811-S-P10	BUSHING	N.L.A.		
73811-S-P20	BUSHING	N.L.A.		
73893-1	PIPE	LW-10170	ALL	
73893-2	PIPE	LW-10153	ALL	
73947-S	PISTON	75617	ALL	NOTE 200
73976-S	PISTON	74242-S, 78762-S, LW-10208-S		NOTE 404
74143-C	NOZZLE	N.L.A.		
74249-S-P10	BUSHING	N.L.A.		
74308-S	ROD ASSY.	74503-S	ALL	NOTE 201
74423-1	CONTROLLER	74423	ALL	
74423-2	CONTROLLER	74423	ALL	
74423-3	CONTROLLER	74423	ALL	
74502-S	ROD ASSY.	LW-11457-S	ALL	NOTE 200, NOTE 243
74503-S	ROD ASSY.	75059-S	ALL	NOTE 201
74521-C	PIPE	N.L.A.		
74522-C	PIPE	N.L.A.		
74535-S	IMPELLER & SHAFT ASSY.	LW-11173-S	ALL	S.I. 1032
74876-P15	BUSHING	N.L.A.		
74957-P03	STUD	N.L.A.		
74957-P07	STUD	N.L.A.		
75000-P03	STUD	N.L.A.		
75000-P07	STUD	N.L.A.		
75059-S	ROD ASSY.	LW-10646-S	ALL	NOTE 201
75527-S	SHAFT GEAR ASSY.	LW-12241-S	ALL	
75528-1	FILTER KIT	LW-13744	ALL	SSP-885-1
75528-2	FILTER KIT	LW-13745	ALL	SSP-885-1

**SECTION 1  
NUMERICAL PARTS HISTORY SUPERSEDURES**

ORIGINAL PART NO.	NOMENCLATURE	SUPERSEDING PART NO.	USE	REFERENCES
75548-S	ROD ASSY.	77450-S, LW-10776-S		NOTE 185, NOTE 200, S.I.1184, S.B.351, S.B.371, S.B. 439
75560-S-P05	BUSHING	N.L.A.		
75617-S	PISTON	78203-S	ALL	NOTE 201
756-56	STARTER	N.L.A.		
756-56	STARTER	N.L.A.		
75657-S	BUSHING	79024		NOTE 186
75678-S	PUMP ASSY.	LW-12220	ALL	NOTE 201
76210-1	STARTER	LW-15483	ALL	
76227-S	CRANKCASE ASSY.	N.L.A.		
76468-S	CRANKCASE ASSY.	LW-13802-S	ALL	S.I. 1310
76649-2	VALVE ASSY.	76649-1	ALL	S.I. 1214, S.I. 1416
76846-1	FUEL PUMP	76537		NOTE 216
76846-2	FUEL PUMP			NOTE 217
76923-48H110-63	LEAD ASSY.	76923-48S110-63	ALL	
76923-48H70-63	LEAD ASSY.	76923-48S70-63	ALL	
76923-48H90-63	LEAD ASSY.	76923-48S90-63	ALL	
76923-48S110-63	LEAD ASSY.	N.L.A.		
76923-48S110-75	LEAD ASSY.	LW-11944, LW-11959	ALL	NOTE 220
76923-48S-63	LEAD ASSY.	N.L.A.		
76923-48S70-63	LEAD ASSY.	N.L.A.		
76923-48S70-75	LEAD ASSY.	LW-11944, LW-11959		NOTE 220
76923-48S-75	LEAD ASSY.	LW-11944, LW-11959		NOTE 220
76923-48S90-63	LEAD ASSY.	N.L.A.		
76923-48S90-75	LEAD ASSY.	LW-11944, LW-11959		NOTE 220
76923-72H110-63	LEAD ASSY.	76923-72S110-63	ALL	
76923-72H70-63	LEAD ASSY.	76923-72S70-63	ALL	
76923-72H90-63	LEAD ASSY.	76923-72S90-63	ALL	
76923-72S110-63	LEAD ASSY.	N.L.A.		
76923-72S110-75	LEAD ASSY.	LW-11944, LW-11959		NOTE 220
76923-72S70-63	LEAD ASSY.	N.L.A.		
76923-72S-75	LEAD ASSY.	LW-11944, LW-11959		NOTE 220
76923-72S90-63	LEAD ASSY.	N.L.A.		
76923-72S90-75	LEAD ASSY.	LW-11944, LW-11959		NOTE 220
76930-5	BRACKET	77855	ALL	
76966-S	PISTON	LW-10545-S	ALL	
77059-S	CAMSHAFT	LW-12312	ALL	S.I. 1263
77160-S	GUIDE	74230	ALL	S.I. 1256
77186-S	CRANKCASE ASSY.	LW-11027-S	ALL	
77416-1	PLUG, CRANKSHAFT	N.L.A.		



**SECTION 1  
NUMERICAL PARTS HISTORY SUPERSEDURES**

ORIGINAL PART NO.	NOMENCLATURE	SUPERSEDING PART NO.	USE	REFERENCES
77450-S	CONNECTING ROD ASSY.	LW-13422-S	ALL	S.I. 1311, S.I. 1318, SB 351, S.B. 371, NOTE 200, NOTE 233
77893-S	CRANKCASE ASSY.	LW-13801-S	ALL	S.I. 1310
78030-S	ROD ASSY.	LW-10718		NOTE 243
78203-S	PISTON	LW-10207-S	ALL	
78558-S	CRANKCASE ASSY.	LW-13800-S	ALL	NOTE 201
78561-S	CRANKCASE ASSY.	LW-13803-S	ALL	NOTE 201
78717-S	CAMSHAFT	LW-18838	ALL	NOTE 201
78762-S	PISTON	LW-10208-S	ALL	
78-A295	WASHER	N.L.A.		
79024-S-P10	BUSHING	N.L.A.		
79024-S-P15	BUSHING	N.L.A.		
79024-S-P20	BUSHING	N.L.A.		
857-BA	CONE	AN 5007-20		
858-EC	CONE	AN-5008-20		
861-GA	NUT	N.L.A.		
862-BA	RING	N.L.A.		

## SECTION 2 NUMERICAL PARTS HISTORY NOTES

1. P/N 70484 Screen is a detail part of P/N 56F19765 Elbow Assembly that is used for an Aerobic Installation on IO-540-K1K5. P/N 60422 is still available as an active part.
2. P/N 60746 and P/N 60747 Impellers are still active on GO-435-C; GO-480-B, -C, -F, -G1A6, -G2D6, -G2F6 Series engines for use in P/N 76061 and P/N 76354 Oil Pump Bodies.
3. The superseding part numbers are alternates.
4. P/N LW-13445 Pin and LW-11625 Plug replace P/N 60827 and P/N 60828 in complete engine sets only, on O-235 Series engines only. P/N 60828 remains active for other applications.
5. P/N 60981 Cover and P/N 60984 Body were replaced by P/N 76354 Body Assembly on all direct drive engines except O-235 series, which utilized P/N 76061. Further revisions replaced P/N 76354 with P/N 76061 on VO and IVO-360 engines and with P/N 78528 on all other applications.
6. P/N 65701 Gasket was replaced by P/N 66224 to eliminate misuse of small bore gasket.
7. P/N 65728 Stud is replaced by P/N 68316 on IO-540 Air Inlet Housing to allow for a locknut.
8. P/N 71611 Retainer with P/N 71610 Hook replaces P/N 65883 Clamp.
9. This supersedure is a result of the development of the new beefed up reduction gear assembly installed on IGSO-540 Series engines. The superseded part number remains an active part for other applications.
10. P/N 66835 Plate is replaced by P/N 74735 on O-540-B Series only. No longer available on remaining applications.
11. Use P/N 74596 Spring on applicable engines equipped with oil squirts. P/N 66920 is still an active part at other applications.
12. P/N 66976 and P/N 66977 Magnetos have been replaced with lightweight Magneto Kit P/N 71020 that requires modifications.
13. P/N 66978 Housing Assembly was manufactured to accept heavyweight magnetos. Modification is required to install lightweight magnetos.
14. P/N 65321 Gasket replaces P/N 67196 except on IO-720-A1A engines, which require P/N 73720 Gasket.
15. P/N 67540-P10 and P/N 67540-P20 Rings are still available for chrome cylinder application.
16. Some special Governor Pad configurations require the longer P/N 31C-17 Stud. Insure the correct length stud is used.
17. P/N 62254 Clip is replaced by P/N LW-12293 with the following exceptions: P/N 62254 is replaced by P/N 73650 on IGO-540-B1A and -B1B engines and by P/N LW-16266-25-19 on TIO-540-C1A, -E1A, -H1A, and TIGO-541-D1B, -E1A engines.
18. P/N 66720-P20 Seat is still available. Remainder of requirements must update to cylinders that utilize Allison type valve seats.
19. P/N 66990 Stud is replaced by P/N 31-12 on GO, VO, TVO-435 Series, and VO, TIVO-540 Series and by P/N 31-13 on GO, GSO-480 Series engines.
20. P/N 67112 Rocker is replaced by P/N 71265 on GO-480 Series and IO-720-A and -D Series engines and by P/N 74388 on all remaining applications.
21. P/N 67113 Rocker is replaced by P/N 71266 on GO-480 Series and IO-720-A and -D Series engines and by P/N 17F21186 on all remaining installations.
22. New solid rocker shaft P/N 68806 does not require a plug and must be used with P/N 68795 Cover Assembly.
23. P/N 67266 Piston is replaced by P/N 71553 except on GO-435 Series which utilized P/N 73628 Five-Ring Piston.
24. P/N 67388 Plate is replaced by P/N LW-11185 on IGSO-540 Series only. **Not Interchangeable.**

## SECTION 2 NUMERICAL PARTS HISTORY NOTES

25. P/N 67393 Gear is replaced by P/N LW-11176 on IGSO-540 Series only.
26. P/N 67726 Dowel is replaced by P/N 69861 except when used on GO-435-C2A, -C2A2, -C2B, -C2B2 engines.
27. P/N 67731 Sleeve is superseded by P/N 72451 as a result of change in reduction gear assembly configuration.
28. P/N 75689 Hose is superseded by P/N 74990 on TIGO-541 Series engines only. P/N 75689 is an active part for other applications.
29. P/N 67811 Cap is a detail part of P/N 67810 Assembly. P/N 68291 Cap is a detail part of P/N 68322 Assembly.
30. P/N 60337 Seat is a solid type seat as opposed to the new Allison type seat P/N LW-16699. They are not interchangeable.
31. P/N 60733 Shim is replaced by P/N 76534 on TIO-541-E Series engines only.
32. P/N 61238 Stud is superseded by P/N 25C-22 on all applications except IO-540-K1E5 Air Inlet Housing. Use one P/N 31C-22 instead.
33. P/N 68115 Ring is superseded by P/N 62916 for plain cylinders and by P/N LW-13883 for chrome cylinders.
34. Use P/N 68172 Gasket on all models except VO, TVO-435 Series engines with P/N 77667 Crankcase Cover Assembly. This application requires use of P/N 76740 Gasket.
35. P/N 68174 Gasket is used on all applications except GSO, IGSO-480 Series which requires use of silk thread or GENERAL ELECTRIC CO.'s RTV-102.
36. P/N 68182 Adapter Assembly is superseded by P/N LW-12675 except for IGSO-480-A1C6. This engine configuration uses P/N 73968.
37. P/N 68293 Housing is superseded by P/N LW-11174 on IGSO-540 Series only. P/N 68293 is still active on remainder of applications.
38. P/N 68297 Cage is superseded by P/N LW-11180 on IGSO-540 Series only. P/N 68297 is still active on remainder of applications.
39. P/N 68316 Stud is superseded by P/N 31C-14 except on O-360-A1F6D and IO-360-A1B6D engines which utilize 31C-15.
40. P/N 68327 Seat is superseded by P/N LW-10077 except in the following applications: O-435-K1; all GO-435 Series; all VO-435 Series; GO-480-B, -C, -D, and -F Series engines. These applications utilize P/N 69698.
41. P/N 68404 Impeller is superseded by P/N LW-19286 on IGSO-540-B1A engine only. Remains an active part for other applications.
42. A quantity of P/N 68517 Springs and P/N 68518 Lockplates are maintained to service heavy wall shroud tubes. Use P/N LW-12273 Spring and P/N LW-12272 Lockplate with newer thin wall shroud tubes.
43. P/N 68694 Adapter Assembly is superseded by P/N 74432 on all models except GO-480-C1B6, -D1A, -D1B, -G1B6, -G1E6; GSO-480-A and -B Series; IGSO-480-A Series; IGO-540-A1A, -B1A engines and IGSO-540 Series engines.
44. P/N 68710 Pin is superseded by P/N 77857 except on GO-480-B, -D and -F Series engines that utilize P/N 69650 Pin.
45. To standardize on a 1:1 ratio, A.N. fuel pump drive P/N 68749 Shaft is superseded by P/N 72230. These parts are not interchangeable and must be replaced in complete sets only. Use P/N 72230 Shaft with P/N 72829 Lockplate and P/N 72231 Gear Assembly. P/N 68749-1 is still an active part for applicable IO-720 engines.
46. P/N 68751 Stud is superseded by P/N 69679 in all instances except on GO-480-B, -B1B and -F6 model engines which uses P/N 69376.

## SECTION 2 NUMERICAL PARTS HISTORY NOTES

47. P/N 68758 Tube is superseded by P/N 73317 on applicable O-320 Series engines and by P/N 71140 on applicable O-360 Series engines.
48. P/N 68875 Retainer is replaced on O-320-H and O, TO, LTO-360-E Series engines with P/N LW-16784 one-piece retainer. And by P/N 73009 on O-540-A, -B, -F Series and IO-540-C1B5 engines. P/N 68875 remains in effect for other applications except as noted in Service Bulletin No. 311.
49. P/N 69236 Piston is superseded by P/N 73976 on GO-480-B, -D, and -F Series engines only. P/N 69236 Piston is superseded by P/N 71533 on GSO-480 Series only.
50. P/N 69270 Shaft Assembly is superseded by P/N 70414 on GO-480-C2C6 engine only. P/N 69270 remains in effect for other applications.
51. P/N 69335 Plug is superseded by P/N LW-12545 in all instances except O-435 Series; VO-435-A1B, -B1A engines; GSO, IGSO-480 Series; IGO, IGSO-540 Series; VO-540 Series; IVO-540-A1A; TIVO-540-A2A; TIO-541-E1A4, -E1B4 and TIGO-541-B1A engines.
52. To reduce the number of starters for O-290 Series engines, P/N 69340 Support Assembly with 10:12 pitch gears is superseded by 75312 with the 12:14 pitch gears.
53. P/N 69457 Ring in superseded by P/N 73857 on O-360-B and -D Series engines that employ P/N 75413 Piston and nitrided cylinders.
54. P/N 69532 Seat is superseded by P/N 73115 on O-320 Series; IO-320 Series; O-360 Series; HO, HIO-360-B Series; IO-360-B Series; O-540 Series; IO-540-C and -D Series engines with parallel valve cylinders only. P/N 69532 is still an active part on remaining applications.
55. P/N 69559 Shielding Assembly is superseded by P/N 72459 on all applications except TVO-435 Series engines where P/N 77095 was utilized.
56. P/N 69698 Seat is superseded by P/N 73115 on GO-435 and GO-480 Series low compression engines.
57. P/N 69699 Breather is superseded by P/N 69907 except for BEECH AIRCRAFT installations that require P/N 69174 Breather.
58. P/N 69703 Bracket Assembly is required on all GO-480-D1A engines with a conventional type crankcase. P/N 70337 Bracket Assembly is used on all GO-480-D1A engines with a wrap-around crankcase.
59. P/N 69705 Housing Assembly is used on GO-480-D1A engines equipped with a conventional crankcase. P/N 70357 Housing Assembly is used on GO-480-D1A engines equipped with a wrap-around crankcase.
60. P/N 69796 Stepped Dowel is superseded by P/N LW-10647 Straight Dowel when P/N LW-11020, LW-11021, LW-11575, LW-11576 Bearings are used.
61. P/N 69876 Cage Assembly is superseded by P/N LW-11181 on IGSO-540 Series engines only. P/N 69876 remains an active part for other applications.
62. P/N 70293 Housing Assembly is replaced by P/N 70406-S Housing Assembly with use of P/N 70292 Plug plus four STD-1679 Bolts instead of four STD-1688 Bolts.
63. Select washer for fit – one per engine.
64. P/N 70434 Oil Jet is utilized when a gearbox employing a wet clutch is installed on an engine. Use P/N 75973 Plug when a dry clutch gearbox is installed on an engine. (Vertical 435 and 540 C. I. engine installations.)
65. P/N 70470 Stud is superseded by P/N 31C-21 at all applications except on P/N 73274 Accessory Housing Assembly where four P/N 31C-20 Studs instead of four P/N 70470 Studs are installed at the magneto mounting pads.
66. P/N 70482 Connection is superseded by P/N 78914 due to use of new sump assemblies with increased diameter induction tube.

## SECTION 2 NUMERICAL PARTS HISTORY NOTES

67. Units are interchangeable but P/N 71010 Adapter is threaded to accept a 1/4 inch N.P.T. fitting. P/N 75722 Adapter is threaded to accept a 9/16-18 straight thread fitting.
68. P/N 71087 Bolt is superseded by P/N 73172 on VO and TIVO-540 Series engines only and by P/N 74644 Bolt on all remaining applications.
69. P/N 71163 Magneto is superseded by P/N 74174 on 6 cylinder vertical engines only. P/N 71163 is superseded by P/N LW-163010-1 on all remaining applications.
70. P/N 71304 Camshaft is superseded by P/N 77135 on GO-480 Series engines and by P/N 77202 on IGO-540-B and IGSO-540 Series engines. P/N 71304 is an active part on remaining applications.
71. P/N 71308 Camshaft is superseded by P/N 77134 on all applications except GO-435 Series engines.
72. P/N 71553 Piston is superseded by P/N 73620 on all applications except VO-435-A1F and TVO-435-A1A engines that utilize P/N 75984.
73. P/N 71555 Ring is superseded by P/N 72944 in all applications except VO-435-A1F and TVO-435-A1A engines, which utilized P/N LW-13883. (Plain rings for chrome cylinder applications.)
74. P/N 71556 Ring is superseded by P/N 71939 for conversion from three ring to four ring piston application and by P/N 74673 on three ring piston applications. (Plain rings for chrome cylinder applications.)
75. P/N 71595 Valve is superseded by P/N 69534 on O-540 low compression engines, by P/N LW-19001 on VO and IVO-360 Series engines and by P/N 74541 on all remaining applications.
76. P/N 71710 Carburetor is superseded by P/N LW-10064 on O-360-A1F and by P/N 61C22198 on O-360-J2A. P/N 71710 is still an active part for remaining applications.
77. P/N 71824 Clip is superseded by P/N 72261 on VO and IVO-360 Series engines only. P/N 71824 is still an active part for remaining applications.
78. P/N 71848 Cylinder Assembly is superseded by P/N 73134 on all models except O-360-D2A and -D2B engines and O-540-B2A5 and -B2B5 engines. P/N 75186 supersedes P/N 71848 on these models.
79. P/N 71890 Cable Assembly is superseded by P/N 75878 on GO-480-D1A and -D1B engines and by P/N 73928 on all remaining engines.
80. P/N 71891 Cable Assembly is superseded by P/N 73927 on GO-480-C1D6, -G1D6, -G1F6, -G2D6 and -G2F6 engines and by P/N 75882 on all remaining applications.
81. P/N 71911 Clamp is superseded by P/N 74410 on GSO, IGSO-480, and IGSO-540 Series engines to attach primer lines and by P/N LW-18959-175-44 to attach ignition cables on all remaining applications.
82. P/N 71921 Breather Assembly is superseded by P/N 73144 on VO-540-B1B3, -B1C, -B1D, -B2C, -B2D engines only.
83. P/N 71930 Crankshaft Assembly is superseded by P/N 74626 on VO-540-A2A, -B2A, -B2C, -B2D, -C2A, and -C2B engines and by P/N 74886 on VO-540-A1A, -B1A, -B1B, -B1B3, -B1C, -B1D, -B1E, -C1A and -C1B engines. Insure the correct oil transfer tube is installed in the crankshaft.
84. P/N 71949 Bearing is superseded by P/N 75547 on VO, TIVO, and IVO-540 Series engines and by P/N LW-13209 on all remaining applications.
85. P/N 71950 Nut is superseded by P/N 72796 on VO, TIVO, and IVO-540 Series engines and by P/N 74646 on all remaining applications.
86. P/N 71970 Cylinder Assembly is superseded by P/N 74925 on all applicable O-540 Series engines and by P/N 75362 on all applicable O and HO-360 Series engines.
87. P/N 72094 Crankshaft Assembly is superseded by P/N 74779 on IO-320-B Series and IO-320-C1A engines and by P/N 75067 on all remaining applications.

## SECTION 2 NUMERICAL PARTS HISTORY NOTES

88. P/N 72050 Key remains an active part to service cylinder assemblies that have not been converted to 1/2 inch exhaust valves.
89. P/N 72051 Extension is superseded by P/N 74187 on GO-480-G1D6 engines only and by P/N 75737 on all remaining applications.
90. P/N 72059 Gasket is superseded by P/N 74068 Ring for use on screw in type oil gage caps with 1.125-12 threads that are designed to accept an "O" Ring. P/N 72059 remains an open part for other applications.
91. P/N 72162 Clip and P/N 72164 Spacer supersede P/N 72163 and P/N 72165 respectively, on IGSO-540-A1A6 and -A1B6 engines. P/N 72163 and P/N 72165 remain active parts for other applications.
92. P/N 72182 Ring is superseded by P/N 74382 on VO-435-A1B, -A1C, -A1D, -A1E, -A1F; TVO-435-A1A, -B1A, -G1A; VO-540-A1A, -A2A, -B1A, -B1B, -B1B3, -B1C, -B1D, -B2A, -B2C, -B2D and IVO-540-A1A engines. P/N 72182 remains an active part for other applications.
93. P/N 72217 Bearing is superseded by P/N LW-13212 on IO, LIO-360-C1E6, -C1E6D; HIO-360-D; AIO-360; TIO-360; TIGO-541; IGO-540; IGSO-540 and by P/N 75547 on VO-540 and TIVO-540 Series engines.
94. P/N 72220 Gasket is superseded by P/N 74065 Ring for use on screw in oil level gage caps with 1.250-12 Threads that are designed to accept an "O" Ring.
95. P/N 72308 Bushing is superseded by P/N 72536 on GSO-540 and IGSO-540 Series engines when P/N 74995 Crankshaft is replaced with P/N 75259 Crankshaft. P/N 72308 remains an active part for other applications.
96. P/N 72312 Ring is superseded by P/N 72471 when a crankshaft without sludge tubes is employed.
97. P/N 67914 Gasket is superseded by P/N LW-11175 on IGSO-540 Series engines only. P/N 67914 is an active part for other applications.
98. P/N 67985 Elbow Assembly is superseded by P/N 71495 on all applications except O-435 Series; GO-435-C2, -C2A, -C2B, and GO-480-B1B engines.
99. P/N 72362 Sump Assembly is superseded by P/N 77965 on IO-320-E2A engines only. P/N 72362 remains an active part for other applications.
100. P/N 72376 Elbow is superseded by P/N 73944 on TIO-541-E Series engines only. P/N 72376 remains an active part for other applications.
101. P/N 72387 Hose Assembly is superseded by P/N 76517 on IO-320-E2A engines and by P/N LW-13174-4-120 on IGSO-540-A1A6, -A1B6, -A1C6, and -A1F6 engines.
102. P/N 72390 Nozzle is superseded by P/N 02A21380 on TIO-360-A Series engines only. P/N 72390 remains an active part for other applications.
103. P/N 72394 Carburetor is superseded by P/N 78728 on O-320-E2D engines only. P/N 72394 remains an active part for other applications.
104. P/N 72412 Cover is superseded by P/N 20414 on VO-540-A1A, -A2A, -B1A, -B2A, -B1C, B2C, -B1D, -B2D, -B1F, -C1A, -C2A and TIVO-540-A2A engines. P/N 72412 remains an active part for other applications.
105. P/N 72434 Plug is superseded by P/N 77856 on all applications except **O-290**, O-435-C2 and -C2B engines. P/N 72434 remains an active part for these engines.
106. P/N 72454 Ring is superseded by P/N 73857 on O-360-B and -D Series engines and O-540-B Series engines and by P/N 73998 on all remaining applications. Refer to the latest revision to The Cylinder, Piston, Piston Ring and Gasket Set Application List P/N SFN-880-3 for latest piston and ring combinations by engine model.
107. P/N 72459 Cable Assembly is superseded by P/N 77018 on all applications except TIVO-540-A2A engine which uses P/N 75175 instead.

## SECTION 2 NUMERICAL PARTS HISTORY NOTES

108. P/N 72676 Crankcase Assembly is superseded by P/N 74542 on O-320-D1A, -D2A, -D2B engines and by P/N 76592 on all remaining applications.
109. P/N 72702 Tube Assembly is superseded by P/N 75149 on HIO-360-A Series engines only. P/N 72702 remains an active part for other applications.
110. **Deleted.**
111. P/N 75054 Cylinder Assembly is threaded for long reach spark plugs; P/N 76483 Cylinder Assembly is threaded for short reach spark plugs.
112. P/N 72740 Carburetor is superseded by P/N 74121 on O-540-B1A5, -B1B5, -B2A5, -B2B5 engines, and by P/N LW-10196 on O-540-B4B5 and -E4A5 engines. P/N 72740 remains an active part for other applications.
113. Not Interchangeable.
114. P/N 72797 Roller is superseded by P/N 76788 on O-540-J3A5D engines only. P/N 72797 remains an open part for remaining applications.
115. P/N 72876 Plunger Assembly is superseded by P/N 76289 on VO-360; IVO-360 Series engines; VO-435; TVO-435 Series engines; IGSO-480 Series; IGSO-540-B1A engines; VO-540; IVO-540; TIVO-540 Series engines and by P/N 73062 on all remaining applications.
116. P/N 72897 Guide is superseded by P/N 73979 on VO-435-A1F; TVO-435-A1A engines; GSO-480; IGSO-480 Series engines; IGSO-540-B1A; TVO-540-A1A engines and by P/N LW-11957 on all remaining applications.
117. P/N 72965 Roller is superseded by P/N LW-11558 on O-540-J3A5D engines only. P/N 72965 remains an active part for other applications.
118. P/N 72982 Ring is superseded by P/N 74712 on HIO-360-D1A engines only. P/N 72982 remains an active part for other applications.
119. P/N 73015 Housing Assembly is superseded by P/N 73747 on IO-540-A1A5, -B1A5 engines only. P/N 73015 is no longer available for other applications.
120. P/N 73087 Body Assembly is superseded by P/N 51A19482 on IGSO-540-B Series engines only. P/N 73087 remains an active part for other applications.
121. P/N 73114 Cylinder Assembly is superseded by P/N 74271 on GO-480-C, -D Series engines and by P/N 74446 on GSO, IGSO-480 Series engines.
122. P/N 73143 Elbow is superseded by P/N 74200 on IGO-540-A1A, -B1A; IGSO-540-A1A, -A1C, -B1A engines only. P/N 73143 is an active part for other applications.
123. P/N 73248 Kit Assembly is superseded by P/N 74734 on O-540-B Series engines only. P/N 73248 is no longer available for other applications.
124. P/N 73253 Hose is superseded by P/N 77546 on HIO-360-D1A engines only. P/N 73253 remains an active part for other applications.
125. P/N 73313 Magneto is superseded by P/N 75554 to change from 200 Series to 1200 Series magnetos on TIO-541 engines only.
126. P/N 73346 Flange is superseded by P/N 74360 on IO-540-A1A5, -P1A5, -AA1A5 engines; IO-540-G, IO-540-K Series engines; IGO-540 Series and IO-720-A1A engines. P/N 74360 remains an active part for other applicable installations. Also, P/N 73346 Flange is used with older thinner lipped pipes and P/N 74360 is used with newer thick lipped pipes.
127. P/N 73361 Support Assembly is superseded by P/N 76930 on VO-435-D1A engines and by P/N LW-14043 Support with P/N LW-11206 Bracket and AN4-5A Bolts, STD-160 Nuts and P/N STD-9 Lockwashers on VO-435-A1A and -B1A engines.
128. P/N 73370 and P/N 73371 Cable Assemblies are superseded by P/N 75635 on HIO-360-A Series engines only and by P/N 76995 on all remaining applications.

## SECTION 2 NUMERICAL PARTS HISTORY NOTES

129. P/N 73377 Check Valve Assembly is superseded by P/N 76738 on TVO-435 Series engines only. P/N 73377 remains an active part for TIVO-540 engines.
130. P/N 73387 Tube Assembly is superseded by P/N LW-13229 on the IO-720-C1B engines only. P/N 73387 remains an active part for other applications.
131. P/N 73621 Ring is superseded by P/N 73933 with nitrided cylinders only; continue to use P/N 73621 on plain cylinders.
132. P/N 73000 Coupling is superseded by P/N 73013 on TIO-540-J2B engines only. Use two P/N 73013 Couplings instead of one P/N 73000 and one P/N 73013.
133. Use four P/N 73963 Tube Assemblies and two P/N 73964 Tube Assemblies in place of six P/N 73750 Tube Assemblies.
134. Use P/N 77669 Baffle with P/N 77667 Cover Assembly. A supply of P/N 73774 is maintained to supply other applications.
135. P/N 73781 Hose is superseded by P/N LW-11373 on TIO, LTIO-540-J2B engines only. P/N 73781 remains an active part for other applications.
136. P/N 73783 Hose is superseded by P/N LW-15859 on TO-360-C1A6D engines only. P/N 73783 remains an active part for other applications.
137. P/N 73784 Controller and P/N 73785 Valve are superseded by P/N 74423 Controller and P/N 74422 Valve on TVO-435-B1A engines only. P/N 73784 and P/N 73785 remain active parts for other applications.
138. P/N 73875 Valve was an alternate to P/N 73111.
139. P/N 73937 Fuel Injector is superseded by P/N LW-11848 on IO-360-A1B, -A2B engines by P/N 61J22300 on IO-540-AB1A5 engines and by P/N 75176 on IO-540-C4B5 engines.
140. P/N 73944 Elbow is superseded by P/N 72376 on TIO, LTIO-540-V2AD engines by P/N AN815-4 on TIO-541-E1C4, -E1D4 engines and by P/N LW-12088 on the TIGO-541-E1A engines.
141. P/N 73948 Cylinder Assembly is superseded by P/N LW-19046 on HIO-360 Series engines and by P/N LW-13528 on all remaining applications.
142. P/N 73953 Crankcase Assembly is superseded by P/N 74758 on IO-540-G1A5 engines and by P/N 76596 on all remaining applications.
143. P/N 73970 Hose Assembly is superseded by P/N 75386 on HIO-360-C1A engines only and by P/N LW-13175-4-303 on all remaining applications.
144. P/N 73974 Hose Assembly is superseded by P/N 74532 on IO-540-K1A5 engines, by P/N LW-10642 on IO-540-R1A5 engines and by P/N LW-13175-4-274 on all remaining applications.
145. P/N 74061 Ring is superseded by P/N 68512 and P/N 68513 on O-320-A & -E Series engines with plain cylinders and by P/N 74241 on O-360-B & -D and O-540-B Series engines with nitrided cylinder.
146. P/N 74068 Ring is superseded by P/N 72312 on IO-320-B, -C, -D Series; IVO-360 Series; O-540-A, -B, -E Series; IO-540-C4B5, -J4A5, -K1A5 engines; TIO-540 and TIO-541 Series engines that have a groove in the filler tube and use a cam action filler cap. P/N 74068 remains an active part for other applications.
147. P/N 74144 Hose is superseded by P/N 74458 on IGSO-540-A1A engines and by P/N 74533 on IGSO-540-A1C engines.
148. P/N 74149 Bracket is superseded by P/N 74278 on IO-540-C4B5 engines only. P/N 74149 remains an active part for other applications.
149. P/N 74405 Nozzle is superseded by P/N 76440 on the IGSO-540-A1H engines only. P/N 74405 remains an active part for other applications.
150. P/N 74446 Cylinder Assembly is superseded by P/N 76480 on applications that require short reach spark plugs and by P/N 72458 when long reach spark plugs are required.



## SECTION 2 NUMERICAL PARTS HISTORY NOTES

151. P/N 74471 and P/N 74472 Manifold Assemblies are superseded by P/N LW-12558 and P/N LW-12559 respectively on IO-720-C1B engines only.
152. P/N 74493 Hose is superseded by P/N LW-18545 on IO-540-AA1A5 and TIO, LTIO-540-U2A engines only. P/N 74493 remains an active part for other applications.
153. P/N 74532 Hose Assembly is superseded by P/N LW-10642 on IO-360-C1E6 and LIO-360-C1E6 engines and by P/N LW-13175-4-340 on all remaining applications.
154. P/N 74534 Fuel Injector is superseded by P/N 77260 on IO-320-E2A engines and by P/N 76082 on all remaining applications.
155. P/N 74556 Fuel Injector is superseded by P/N LW-14382 on IO-360-B2F6 and AEIO-360-B1G6 engines only. P/N 74556 remains an active part for other applications.
156. P/N 74620 Manifold Assembly is superseded by P/N LW-12606 on IO-540-E1B5 only. P/N 74620 remains an active part for other applications.
157. P/N 74641 Shaft is superseded by P/N 73281 on IO-720 Series only. P/N 74641 remains an active part for other applications.
158. P/N 74644 Bolt is superseded by P/N 75060 on engines that are assembled with P/N 75059-S Connecting Rod Assembly and by P/N 75061 Bolt when P/N LW-11457 Connecting Rod Assembly is utilized. P/N 74644 remains an active part for other applications.
159. P/N 74645 Bolt is superseded by P/N 75060 when 75548-S Connecting Rod Assembly is utilized. P/N 74645 remains an active part for other applications.
160. P/N 74656 Bracket is maintained for service use.
161. P/N 74712 Ring is superseded by P/N LW-12620 on HIO-360-D1A engines and by P/N 77569 on all other applications.
162. P/N 74740 Camshaft Assembly is superseded by P/N LW-13877 on IO-720-B and -C Series engines and by P/N LW-13879 on IO-720-A Series engines.
163. P/N LW-10806 Spacer may be used as a replacement for P/N 74771 but P/N STD-8 Washers are needed as a fill in.
164. P/N 74784 Hose Assembly is superseded by P/N LW-13181-6-360 on IO-720-A Series engines and by P/N 78700 on IO-720-C1B engines.
165. P/N 74816 Alternator is superseded by P/N 78314 on fixed wing aircraft and by P/N 79078 on rotor wing aircraft engines.
166. P/N 74847 Fuel Injector is superseded by P/N 74295 on HIO-360-A1A (not interchangeable), and by P/N 75224 on HIO-360-B1A.
167. P/N 74863 Pulley is superseded by P/N 76158 on HIO-360-B1A, -C1A engines. P/N 74863 is no longer available for all other applications.
168. P/N 74953 Crankshaft Assembly is superseded by P/N 75976 on IO-540-C4B5 engines and by P/N 75040 on all other applications.
169. P/N 74974 Cylinder Assembly is superseded by P/N LW-19047 on HIO-360-A1A, -C1A, -C1B, -D1A, and LHIO-360-C1A and by LW-12987 on all remaining applications.
170. P/N 75009 Bracket is superseded by P/N 77547 on IO-320-C1A only. P/N 75009 remains an active part for other applications.
171. P/N 75030 Support Assembly is superseded by P/N 77579 on VO-360-B1A; IVO-360-A1A; IO-540-C4B5, -N1A5, -R1A5 and TIO-540-A2C, -C1A, and -J2BD engines. P/N 75030 remains an active part for other applications.
172. P/N 75060 Bolt is superseded by P/N LW-12596 when P/N LW-13422-S and P/N LW-19332-S Connecting Rod are used. P/N 75060 remains an active part for other applications.

## SECTION 2 NUMERICAL PARTS HISTORY NOTES

173. P/N 75119 Fuel Injector is superseded by P/N LW-12396 on IO-720-B1B engines only. P/N 75119 remains open for other applications.
174. This change is to incorporate body fit thru studs on 320 and 360 Series wide deck crankcases.
175. P/N 75252 Elbow is superseded by P/N 72377 on TIO, LTIO-540-V2AD engines only. P/N 75252 remains an active part for other applications.
176. P/N 75278 Manifold Assembly is superseded by P/N 77548 on IO-320-C1A engines and by P/N LW-14113 on IO-360-C1D6 engines. P/N 75278 remains an active part for other applications.
177. P/N 75280 Manifold Assembly is superseded by P/N LW-14576 on AEIO-360-B1G6 engines and by P/N 63B21293 on IO-360-B1B engines.
178. P/N 75281 Manifold Assembly is superseded by P/N LW-15720 on IVO-360-A1A engines only. P/N 75281 remains an active part for other applications.
179. P/N 75283 Manifold Assembly is superseded by P/N 79007 on IO-540-T4A5D, -K1A5, and AEIO-540-D4B5 engines. P/N 75283 remains an active part for other applications.
180. P/N 75357 Elbow is superseded by P/N LW-16961 on TIO-540-A Series engines and by P/N LW-18026 on TIO, LTIO-540-F2BD engines.
181. P/N 75415 Cylinder Assemblies is superseded by P/N LW-13447 on TIO-540-A Series engines and by P/N LW-13533 on all other applications.
182. These Kits are no longer available. Purchase Kit details individually.
183. P/N 75545 Adapter Assembly is superseded by P/N 78594 on O-360-A1D and IO-360-A1A only. P/N 75545 remains an active part for other applications.
184. P/N LW-13210 and P/N LW-13211 Connecting Rod Bearings are alternate chrome backed bearings. Chrome backed bearings can be used as alternates to plain backed bearings but plain backed bearings cannot be used as alternates to chrome backed bearings. Do not use plain backed bearings with phosphate treated connecting rods.
185. P/N 75548-S Rod Assembly is superseded by P/N 77450-S on IGO-540-A1A, -B1A, -B1B and IGSO-540-A1A, -A1C, -B1A engines and by P/N LW-10776-S on VO-540 Series and TVO-540-A1A, -A2A engines.
186. P/N 75657-S Bushing is superseded by P/N 79024 on IO-540-N1A5 only. P/N 75657-S remains an active part for other applications.
187. P/N 75679 Reduction Gear Assembly is superseded by P/N LW-11188 on IGSO-540-A1A,-A1C, -B1A engines only. P/N 75679 remains an active part for other applications.
188. P/N 73062 Plunger Assembly is superseded by P/N 72876 on IGSO-480-A1A6, -A1B6, -A1C6 engines and IGSO-540-B1A engines and by P/N 76290 on all other applications.
189. P/N 75911 Cylinder Assembly is superseded by P/N LW-12995 on all applications except HIO-360-A, -C, -D Series engines.
190. P/N 76023 Elbow is superseded by P/N AN822-4-4 on TVO-435-D1A, -D1B, -F1A, -G1A, -G1B engines and by P/N AN822-6 on all other applications.
191. This supersedure is a change from bronze to ni-resist valve guides.
192. P/N 76082 Fuel Injector is superseded by P/N 77597 on IO-320-C1A engines only. P/N 76082 remains an active part for other applications.
193. P/N 76083 Fuel Injector is superseded by P/N 75176 on IO-540-J4A5 engines and by P/N LW-10622 on IO-540-R1A5 engines.
194. P/N 76187 Cylinder Assembly is superseded by P/N LW-12717 on IGSO-540-B1A and -B1C engines only. P/N 76187 remains open for other applications.
195. **Deleted.**

## SECTION 2 NUMERICAL PARTS HISTORY NOTES

196. P/N 76242 Bushing is superseded by P/N 74389 on TIO-540, LTIO-540-V2AD engines only. P/N 76242 remains an active part for other applications.
197. These pistons can be exchanged in complete sets or in pairs opposing each other on the crankshaft.
198. A limited number of P/N 76278 Tube Assemblies are maintained to service older cylinder assemblies.
199. P/N 76302 Pump-Gerotor is superseded by P/N LW-15550 on TIO-540-C1A, -E1A, -G1A, -H1A engines only. P/N 76302 remains an active part for other applications.
200. Interchangeable in complete engine sets only.
201. Interchangeable as a complete assembly, a complete unit, or a specific group of parts. Only use 56A26071-03 with 56G26069 Baffle Oil Sump.
202. P/N 76393 Bearing is superseded by P/N LW-11576 to incorporate straight bearing dowels.
203. P/N 76441 Adapter is replaced by P/N LW-12518 Race when P/N LW-12220 Torque meter is removed.
204. This supersedure resulted from the introduction of the integral camshaft.
205. Assemblies are no longer available, purchase individual details separately.
206. P/N LW-13909 Fuel Pump is a detail of the following assemblies, LW-12299, LW-12321, LW-13910, LW-13917, LW-13918, LW-13919.
207. P/N 76543 and P/N 76544 Harness Assemblies are superseded by P/N LW-10177 on O-320-E2C; O-360-A2G and IO-360-A2B engines. P/N 76543 is superseded by P/N LW-620505-1 on all remaining applications. P/N 76544 is superseded by P/N 620510-1 on all remaining applications.
208. P/N 75739 Nipple is superseded by P/N 74070 on TIO-541-E1D4 engines and by P/N LW-16562 on IO-360-A1B6, -B1E, -B2E, -C1A, -C1B, -C1C, -C1CD, -C1D6, -C1E6, -D1A; LIO-360-C1E6, -C1E6D; HIO-360-A1A, -B1A, -C1A, -C1B, -F1AD; LHIO-360-C1A; AEIO-360-A1B6, -H1A; IO-540-T4A5D, -T4B5D. P/N 75739 remains an active part for other applications.
209. P/N 76157 Belt is superseded by P/N 76026 on IO-360-B1B conventional crankcase engines and by P/N 37A19773-382 on HIO-360-A1A, -B1A and -D1A engines.
210. P/N LW-12795 Gasket can be used anyplace P/N 76691 is used plus O-235 Series engines. Do not use P/N 76691 on O-235 Series engines.
211. P/N 76706 Pipe is superseded by P/N LW-16767 on IO-540-L1A5D engines. P/N 76706 remains active for other applications.
212. P/N 76755 Collar is no longer available, service with P/N LW-10811 Terminal, P/N LW-10812 Collar, and P/N LW-10814 Spring.
213. P/N 76775 Switch is superseded by P/N LW-12085 on all applications except TIO-360-A3B6D, which utilized P/N 76776 internally grounded, switch.
214. P/N 76777 Manifold Assembly is superseded by P/N LW-13151 on TIO, LTIO-540-J2BD engines only. P/N 76777 remains active for other applications.
215. P/N 76817 Injector is superseded by P/N 61J21971 for the GROB G115/Sport-Acro installation. P/N 76817 remains an active part for other installations.
216. P/N 76846-1 Pump is a detail of the following assemblies P/N LW-13258, LW-13259, LW-13736. P/N 76846-1 is superseded by P/N 76537 on TIGO-541 Series engines.
217. P/N 76846-2 Pump is a detail of the following assemblies P/N LW-13239, LW-14384.
218. P/N LW-16491 Flange and P/N LW-16492 Pipe are superseded by P/N LW-16902 Flange and LW-16901 Pipe.
219. P/N LW-11281, LW-11282, LW-11283, and LW-11284 Intake Pipes are ornamental chrome replacements. P/N 78981, 78982, 78983, 78984 Pipes remain active part numbers for other applications.

## SECTION 2 NUMERICAL PARTS HISTORY NOTES

220. P/N LW-11944 and P/N LW-11959 are replacement leads for the following harness assemblies P/N's LW-11194, LW-11301, LW-11302, LW-11306, LW-11307, LW-11308, LW-11309, LW-11549, and LW-11550. P/N LW-11944 Lead is supplied with a spark plug elbow; P/N LW-11959 Lead is not supplied with a spark plug elbow. Both part numbers are supplied in 48 inch and 72 inch lengths and are for compression type fittings.
221. P/N 60734 Seal is superseded by P/N 71879-S on all applications except VO, IVO-360 Series engines which used P/N 76940.
222. P/N 76943 Guide is superseded by P/N 16R19730 at the exhaust valve position on O-235 models that utilize P/N 66531 exhaust valve and by P/N 61681 on all remaining exhaust valve applications. P/N 76943 remains active as an intake valve guide.
223. P/N 65427 Spring is superseded by P/N 68326 on GO-435-C2 and C2B engines and by P/N 76994 on all remaining applications.
224. P/N 77003 Fuel Injector is superseded by P/N LW-11924 on IO-540-K1B5 engines installed in PILATUS BRITTON-NORMAN Islander. P/N 77003 remains an active part number for other applications.
225. This supersedure is to facilitate assembly, change from 1 pipe to 2 pipes.
226. P/N 77033 and P/N 77034 Bearings are replaced by P/N LW-11020 or alternate bearing P/N LW-11021, on all applications but IGO-540 and IGSO-540 Series engines which utilize P/N LW-10124 Bearing. (Straight bearing dowels must be used with P/N LW-11020 and P/N LW-11021).
227. P/N 77260 Injector is superseded by P/N 61J21970 on IO-320-D1B only. P/N 77260 remains an active part for other applications.
228. P/N 77279 Carburetor is superseded by P/N 72394 on O-320-E2D and by P/N LW-16559 on O-320-D2A.
229. Use P/N LW-10185 Regulator to replace P/N 77345 but do not use P/N 77345 to replace P/N LW-10185.
230. Use P/N LW-10179 Regulator to replace P/N 77347 but do not use P/N 77347 to replace P/N LW-10179.
231. Use P/N LW-10796 Regulator to replace P/N 77363 but do not use P/N 77363 to replace P/N LW-10796.
232. P/N 77369 Tube Assembly is superseded by P/N LW-10049 on IO-540-G1B5 engines and by P/N LW-11925 on IO-540-K1B5 engines installed in PILATUS BRITTEN-NORMAN aircraft. P/N 77369 remains active for other applications.
233. P/N 77450-S Connecting Rod is superseded by P/N LW-13422-S on HIO-360-D1A; IGO-540 Series; IGSO-540 Series; VO-540 Series; IVO-540-A1A; TVO-540-A1A; TIVO-540-A2A and TIGO-541-E1A. P/N 77450-S remains an active part for other applications.
234. P/N 77544 Cylinder Assembly is superseded by P/N LW-12988 on IO-540-A, -G, -K Series engines. P/N 77544 remains an active part for other applications.
235. P/N 77548 Manifold Assembly is superseded by P/N 78805 on IO-360-B1E only. P/N 77548 remains an active part for other applications.
236. P/N 77627 Elbow is superseded by P/N LW-14259 on TIGO-541 engines only. P/N 77627 remains an active part for other applications.
237. P/N 77719 Shaft is superseded by P/N LW-11518 on IO-360-F1A and TIO-360-A Series engines and by P/N LW-14511 on TIO-540-C1A engines.
238. P/N 77742 Magneto & Harness Assembly is superseded by P/N LW-15865 on CESSNA AIRCRAFT - 152 with O-235-L2C engine installations and by P/N LW-16365 on all other applications.
239. P/N 77743 Harness Assembly (right) is superseded by P/N LW-16892 on O-320-D2J engines, by P/N LW-15866 on O-235-L2C engines installed in PIPER AIRCRAFT Tomahawk aircraft and by P/N 67P20406 on all remaining applications.

## SECTION 2 NUMERICAL PARTS HISTORY NOTES

240. P/N 77745 Harness Assembly (left) is superseded by P/N LW-16893 on O-320-D2J engines, by P/N LW-15868 on O-235-L2C engines installed in PIPER AIRCRAFT Tomahawk aircraft and by P/N 67P20407 on all remaining applications.
241. P/N 77946 Cover Assembly is no longer available use details P/N 76629 Cover and P/N 77945 Gasket without Loctite. P/N 76629 and P/N 77945 were later replaced by P/N LW-10468 Air Valve Assembly.
242. This supersedure is to change from two piece intake pipes to one piece intake pipes on HIO-360-D1A engine.
243. These supersedures were to incorporate tongue and groove connecting rods on all applicable engines. It was later determined that tongue and groove rod assemblies were only required on high output engines. These supersedures were rescinded and the superseded part numbers were reinstated.
244. P/N 78064 Flange can be used with new pipe P/N LW-16492 but new flange P/N LW-16491 cannot be used with old pipe P/N 78058.
245. P/N 78081 Coupling is superseded by P/N LW-12093-5 on all applications except TIGO-541-E1A engines, which used P/N LW-12045 on both sides between the exhaust manifold and transition.
246. P/N 78084 Coupling is superseded by P/N 78083 on TIO-540-A Series and TIO, LTIO-540-F Series engines that incorporate a P/N LW-12127 Transition Assembly. P/N 78084 remains an active part number for other applications.
247. P/N 78109 Manifold is superseded by P/N LW-18860 on TIO-540-V2AD engines. P/N 78109 remains an active part number for other applications.
248. P/N 78302 Elbow is superseded by P/N 72376 on TIO-540-AA1AD engines. P/N 78302 remains an active part number for other applications.
249. P/N 78353 Blanket is superseded by P/N LW-12640 on TIO-360-A1B engines only. P/N 78353 remains an active part for other applications.
250. The superseded part number is a harness assembly or a component of a harness assembly that was manufactured by LYCOMING and is no longer available. Replacement harness assemblies are now provided in halves, with cable plates, or, in some instances, as a complete assembly.
251. P/N 78700 Hose Assembly is superseded by P/N LW-10474 on TIO-540-C1A engines and by P/N LW-12799-6S380 on all other applications.
252. P/N 78728 Carburetor is superseded by P/N LW-11222 on O-320-E2D engines and by P/N 72394 on O-320-E3D engines installed in the BEECH AIRCRAFT SPORT. P/N 78728 remains an active part for other applications. A later revision eliminated P/N LW-11222 and reinstated P/N 78728 on O-320-E2D and O-320-E2G engines. (Carburetors are identical except for throttle arm position).
253. This supersedure adds fuel drain bosses to the intake pipes on IO and LIO-360-C1E6 and -C1E6D engines. The superseded parts remain active for other applications.
254. P/N 79007 Manifold is superseded by P/N 63B22001 on AEIO-540-D4A5 and D4B5 engines installed on SLINGSBY AIRCRAFT only. P/N 79007 remains an active part for other applications.
255. P/N 79008 Injector is superseded by P/N LW-11007 on IO-540-G1B5 and IO-540-P1A5 engines installed in TED SMITH AIRCRAFT turbocharged installations only. P/N 79008 remains an active part for other installations.
256. Replace one (1) P/N 79051 Spring with two (2) P/N LW-13077 Springs.
257. P/N 74996 Gear Assembly may be used in either wide deck or conventional engines. P/N 61278 Gear Assembly may not be used in wide deck engines.
258. P/N 61864 and P/N 73817 Lockplates are interchangeable on all applications except IO-720 Series engines. Do not use P/N 61864 on IO-720 Series engines.

## SECTION 2 NUMERICAL PARTS HISTORY NOTES

259. P/N MS13997-3 Key and MS13998-3 Cap are used with P/N 74541 and P/N 75068 1/2 inch chrome stemmed exhaust valves. P/N 62388 remains an active part number for other applications.
260. P/N 71401 Collar, P/N 71489 Sleeve, P/N 71974 Ferrule, P/N 68487 Nut, and P/N 71883 Elbow Assembly supersede P/N 62713 Cone.
261. Tappet Assembly P/N 65009 is no longer available. Purchase individual details P/N 69529 Body, P/N 65074 Socket, and P/N 71791 Plunger Assembly.
262. P/N 65567 Spring is superseded by P/N LW-11795 on all applications except for GO-435-C2 and GO-435-C2B engines which used P/N 68328.
263. P/N 69735 Gear Assembly is machined for use of body fit bolts. P/N 65978 uses P/N 68083 bolts and can be reworked to use body fit bolts.
264. P/N 66527 Seat is superseded by P/N 69530 on O-320-A Series engines and by P/N 72058 on O-435-A Series engines.
265. P/N 66714 Valve is superseded by P/N 71381 on VO-435-A Series engines only. P/N 66714 remains an active part for other applications.
266. P/N 66752 Elbow Assembly is superseded by P/N 71883 or P/N 71884. The following parts must also be used with either of the superseding elbow assembly: P/N 68487 Nut, P/N 71258 Ferrule, P/N 71259 Sleeve, P/N 71401 Collar, and 71489 Sleeve.
267. P/N 66990 Stud is superseded by P/N 31-12 on GO-435 Series, VO-435 Series, and TVO-435 Series and by P/N 31-13 on GO-480 and GSO-480 Series.
268. P/N 67394 Housing is superseded by P/N 68293 on all applications except GO-480-C1B6 and-C1D6 engines. P/N 67394 is no longer available.
269. P/N 68338 Ring is superseded by P/N 75985 on GO-435-C2, -C2B, -C2B6 and -C2E engines only. P/N 68338 remains an active part number for other applications.
270. P/N 68544 Shaft and P/N 72384 Shaft are interchangeable on all applications except IGSO-480-A Series engines. The IGSO 480-A Series engine uses P/N 72384 Shaft.
271. P/N 68769 Camshaft Assembly is superseded by P/N 74167 on O-320-A and -B Series engines, by P/N 76098 on IO-320-B1A, -B2A, -B1C, -B1D and -C1A and IO-360-A1A, -A2A, -A2B, -D1A, -C1C, -C1A and by P/N 70492 on VO-360 Series engines.
272. P/N 69092 Ring is not required when employing a three-ring piston in chrome cylinders on GO-435 Series engines.
273. P/N 69360 Cylinder Assembly is superseded by P/N 71855 on O-435-K1 engines and by P/N 71174 on GO-435-C2, -C2A and -C2B engines.
274. This supersedure is to change from 7/16 inch to 1/2 inch O.D. valve stems.
275. P/N 69340 Support Assembly is superseded by P/N 68942 on O-235-C1B engines only. P/N 69340 remains an active part for other applications.
276. P/N 69705 Housing Assembly is used on GO-480-D1A engines equipped with a conventional crankcase. P/N 70357 Housing Assembly is used on GO-480-D1A engines equipped with a wrap-around crankcase.
277. P/N 70456 Bracket remains an active part number for applications other than those specified in S.I. 1408.
278. P/N 72580 Gear Assembly is superseded by P/N LW-11184 on IGSO-540 Series engines only. P/N 72580 remains an active part for other applications.
279. P/N 72815 Bracket Extension is superseded by P/N 73136 on TIO-540-C1A engines only. P/N 72815 remains an active part for other applications.
280. P/N 73846 Baffle Assembly is superseded by P/N LW-13430 on IO-540-L1A5 wide deck engines. P/N 73846 remains an active part for other applications.

## SECTION 2 NUMERICAL PARTS HISTORY NOTES

281. P/N 74646 Nut is superseded by P/N LW-12186 when used with connecting rods. P/N 74646 is still used to attach the ring gear drive plate to the crankshaft flange on geared engines.
282. P/N 74833 Housing Assembly is superseded by P/N LW-13232 on IO-540-K1G5; TIO, LTIO-540-J2BD engines and by P/N 56A21692-02 on all other applications.
283. P/N 74880 Alternator Assembly is superseded by P/N 76165 on HIO-360-A1A and -B1A engines. P/N 74880 is no longer available for other applications.
284. P/N 74904 Gasket is superseded by P/N 76888 on TIO-541 Series engines and by P/N 76691 on all other applications.
285. P/N 76184 Cylinder Assembly is superseded by P/N 76187 on IGO-540-B Series engines and by P/N LW-12716 on IGSO-540-B1A engines.
286. P/N 75928 Cylinder Assembly (chrome) is superseded by P/N LW-19037 (nitrided) or P/N 16A21005 (plain) cylinder assemblies.
287. P/N LW-10098 Controller is superseded by P/N 48B21935 on TIO-540-AF1A engines only. P/N LW-10098 remains an active part for other applications.
288. P/N LW-10124 Bearing is superseded by P/N LW-11021 when straight dowels are used in place of stepped dowels.
289. P/N LW-10207-S Piston is superseded by P/N LW-11487-S on HIO-360-D1A engines only. P/N LW-10207-S remains an active part for other applications.
290. P/N LW-10256 Alternator is superseded by P/N LW-12882 on VO-435-B1A and TVO-435-F1A engines and by P/N LW-18873 on TIGO-541-E1A engines.
291. P/N LW-10260 Carburetor is superseded by P/N LW-12175 on the O-360-A1G6 engine and by P/N LW-12097 on all remaining applications.
292. P/N LW-10409 Fuel Injector is superseded by P/N LW-12586 on IO-360-C1E6 and LIO-360-C1E6. P/N LW-10409 remains an active part for other applications.
293. P/N LW-10445 Tube Assembly and P/N LW-10446 Elbow are superseded by P/N LW-12877-6S-051 as described in the latest revision to Service Bulletin 421. P/N LW-10445 and P/N LW-10446 remain active part numbers for other applications.
294. P/N LW-10494 Tube Assembly is replaced by P/N 75167 on IO-360-C1C engines only. P/N LW-10494 remains an active part number for other applications.
295. P/N 75167 Tube Assembly is superseded by P/N LW-12213 on IO-360-C1C engines installed in PIPER AIRCRAFT ARROW with air conditioning. P/N 75167 remains an active part number for other applications.
296. LW-10544 Alternator is superseded by P/N LW-10966 on HIO-360-D1A engines and by P/N LW-18888 on all other applications.
297. P/N LW-10619 Carburetor is superseded by P/N LW-13133 on O-235-F and -G Series engines and by P/N LW-14016 on O-235-K and -L Series engines. P/N LW-10619 Carburetor is superseded by P/N 61A26699 on O-235-C2A P/N LW-10619 remains an active part for other applications.
298. This supersedure is the elimination of tongue and groove connecting rods where they are not required. Refer to NOTE 243 also.
299. P/N LW-10884 Housing Assembly is superseded by P/N 21B21068-1 on O-360-A1AD and by P/N LW-10885 on O-360-A1F6D and IO-360-A1B6D engines.
300. P/N LW-10918 Housing Assembly is superseded by P/N LW-10919 on LTIO-540-J2BD engines and by P/N 21D21069-11 on LTIO-540-V2AD engines.
301. P/N LW-11379 Housing Assembly is superseded by P/N LW-13889 on TIGO-541-E1A engines only. P/N LW-11379 remains an active part number for other applications.
302. P/N LW-11457-S Connecting Rod Assembly is superseded by P/N LW-13937-S on HIO-360-A and -B Series engines and by P/N LW-11750-S on all other applications.

## SECTION 2 NUMERICAL PARTS HISTORY NOTES

303. P/N LW-11564 Turbocharger is superseded by P/N LW-12521 on TIO-360-A3B6 engines. P/N LW-11564 is no longer available for other applications.
304. P/N LW-11576 Bearing is superseded by P/N 18E19396 on installations utilizing a straight bearing dowel and by P/N LW-14830 on hi crush thin wall bearing applications without a bearing dowel.
305. P/N LW-11798 Valve Spring is superseded by P/N LW-11796 on the TO-360-C1A6D only. P/N LW-11798 remains an active part number for other applications.
306. P/N LW-11799 Valve Spring is superseded by P/N LW-11797 on the TO-360-C1A6D only. P/N LW-11799 remains an active part number for other applications.
307. Replace (2) P/N LW-11835 clamps with 1 each P/N LW-13240 and MS21920-37 Clamps.
308. P/N LW-12097 Carburetor is superseded by P/N LW-15626 on O-360-A1G6D and LO-360-A1G6D engines, by P/N LW-15563 on O-540-J1C5D and O-540-J3C5D engines and by P/N LW-15957 on all other applications.
309. LW-12136 Cushion is superseded by P/N LW-13641 as specified in Service Instruction No. 1299. P/N LW-12136 remains an active part number for other applications.
310. P/N LW-12690 Elbow is superseded by P/N MS20823-4 on TIO-540-AB1AD engines only. P/N LW-12690 remains an active part number for other applications.
311. LW-12698 Crankshaft Assembly is superseded by P/N 13B21945 on O-235-C1B engines only. P/N LW-12698 remains an active part number for other applications.
312. The original part number is the alternator assembly number. The superseding part number is the detail alternator; it is to be used with the old ground strap on external ground applications only.
313. P/N LW-12960 Bypass Valve is superseded by P/N LW-18654 on TIO-540-AA1AD engines and by P/N 47J21012 on TIO-540-AE2A engines. P/N LW-12960 remains an active part number for other applications.
314. Replace 2 each P/N LW-13013 Heat Shields with 1 each P/N LW-19171 and P/N LW-19172 Heat Shields.
315. P/N LW-13037 Tube Assembly is superseded by P/N LW-13146 on TIO-541-E1A4 and TIO-541-E1C4 engines only. P/N LW-13037 remains an active part for other applications.
316. P/N LW-13145 Valve Assembly is superseded by P/N LW-13779 on TO-360-C1A6D and TIO-540-R2AD, by LW-14445-1 on TIO-540-S1AD, and by P/N LW-14445-2 on TIO-541-E Series engines.
317. Use one P/N LW-13128 Elbow in place of one P/N LW-13148 Adapter and one P/N AN823-4 Elbow.
318. P/N LW-13323 Seat is superseded by P/N 61252, P/N 65441, and LW-13320 on the intake side only. P/N LW-13323 is still an active part number to be used on the exhaust side of applicable cylinder assemblies.
319. P/N LW-13779 Valve Assembly is superseded by P/N LW-14445-4 on TO-360-C1A6D engines and by P/N LW-14445-6 on TIO-540-R2AD, LTIO-540-R2AD engines.
320. P/N LW-13877 Camshaft Assembly is superseded by P/N LW-13879. This change also includes the use of P/N 72877 Tappet Bodies.
321. P/N LW-13889 Housing Assembly is superseded by P/N LW-15584 on TIGO-541-D1B engines only. P/N LW-13889 remains an active part number for other applications.
322. P/N LW-13908 Camshaft is superseded by P/N LW-19340 on all applications except TIO-540-AE2A & TIO-540-AH1A. P/N LW-13908 remains an active part for these applications.
323. P/N LW-13936 Coupling is superseded by P/N LW-15768 on HIO-360-E1AD and by P/N LW-14985 on all other applications.
324. P/N LW-13944 Pipe is superseded by P/N 42E21363 for use on No. 1 cylinder and by P/N 42E21364 for use on No. 2 cylinder.



## SECTION 2 NUMERICAL PARTS HISTORY NOTES

325. P/N LW-13954-S Camshaft is superseded by P/N LW-14827-S. This change also includes the use of P/N 73061 Hyperbolic Tappet Bodies.
326. P/N LW-14016 Carburetor is superseded by P/N LW-16073 on BEECH AIRCRAFT SKIPPER 77. P/N LW-14016 remains an active part number for other applications.
327. P/N LW-14050 Plug is superseded by P/N 03C21076 on TIO-540-AE2A engines only. P/N LW-14050 remains an active part number for other applications.
328. P/N LW-14060 Clip is superseded by LW-620028-3 on O-320-H1AD, -H1CD, -H2AD, -H3AD; O-360-E1A6D, LO-360-E1A6D, TO-360-E1A6D and LTO-360-E1A6D engines. P/N LW-14060 remains an active part number for other applications.
329. P/N LW-14149 Fitting is superseded by P/N LW-15394 on all applications except AEIO-360-B4A. P/N LW-14149 remains an active part number for this engine.
330. P/N LW-14504 Clamp is superseded by P/N LW-14525 on TIO-541 Series engines only. P/N LW-14504 remains an active part number for other applications.
331. P/N LW-14511 Shaft is superseded by P/N LW-15853 on TIO-540-C1A, -E1A, -G1A, -H1A engines. P/N LW-14511 remains an active part number for other applications.
332. P/N LW-14555 Flange is superseded by P/N LW-16731 on O-235-L2C engines only and by P/N 73346 on all other applications.
333. P/N LW-14562 Magneto and Harness Assembly Left and detail magneto P/N LW-14561 are superseded by P/N LW-15867 Assembly and P/N LW-15864 Detail Magneto on O-235-L2C installations requiring a 5° lag angle and with the harness attached to the top spark plugs, or by P/N LW-16369 Magneto and Harness Assembly and P/N LW-16368 Detail Magneto on O-235-L2C and -K2C installations requiring a 400 Volt condenser instead of 200 Volt condenser.
334. P/N LW-14675-S Crankcase Assembly is superseded by P/N LW-16531 on O-540-J1A5D, O-540-J1C5D and O-540-J3C5D engines only. P/N LW-14675-S is superseded by P/N 11E20000-D1-S on all other applications.
335. LW-14706 Housing Assembly is superseded by P/N 21A21533-13 on engines installed in aircraft manufactured by HUGHES Tool Co. and by P/N 21A19412 for use with engines installed in SCHWEIZER aircraft.
336. P/N LW-14748 Gage Assembly (cam lock) is superseded by P/N LW-14796 Gage Assembly (threaded) on TIO-360-F1A6D. P/N LW-14748 remains an active part number for other applications.
337. P/N LW-14768 Gage Assembly is superseded by P/N LW-14798 on O-320-D2J engine installations that require a 7 quart gage. P/N LW-14768 remains an active part number for other applications.
338. P/N LW-14894 Seat is superseded by P/N LW-14893 on the intake side of applicable engines. Continue to use P/N LW-14894 on the exhaust side of applicable engines.
339. P/N LW-15590 Housing Assembly is superseded by P/N LW-16030 on TIO-540-C1A engines only. P/N LW-15590 remains an active part number for other applications.
340. P/N LW-15608-S Crankcase Assembly is superseded by P/N LW-16529-S when machining and studding for a SANYO Compressor is required and by P/N 11E20000-D1-S on applications not requiring this option.
341. P/N LW-15634-S Crankcase Assembly is superseded by P/N 11F20022-D3-S-1 Kit that requires 2 extra long thru-studs on TIO-540-S1AD engines and by P/N 11F20022-D3-S on all other applications.
342. P/N LW-15674 Carburetor is superseded by P/N LW-15985 on ROCKWELL TO-360-C1A6D installations and by P/N LW-15961 on all other installations.
343. Use P/N LW-15767 Lever with P/N LW-16667 Fuel Injector and P/N LW-16611 Lever with P/N LW-16610 Fuel Injector (TIO-540-S1AD engines).
344. P/N LW-15768 Coupling is superseded by P/N LW-16757 on TO-360-C1A6D and TO-360-F1A6D. P/N LW-15768 is still available for use on HIO-360-E1AD and HIO-360-F1AD engines.

## SECTION 2 NUMERICAL PARTS HISTORY NOTES

345. P/N LW-15959 Carburetor is superseded by P/N LW-16625 on O-360-C1F engines and by P/N LW-18663 on O and LO-360-A1G6D engines.
346. P/N LW-15961 Carburetor is superseded by P/N LW-16560 on TO-360-C1A6D engines installed in PARTENAVIA aircraft and by P/N LW-16028 on TO-360-C1A6D engines installed in ROCKWELL aircraft.
347. P/N LW-15971 Fuel Injector is superseded by P/N LW-18111 on HIO-360-F1AD engines only.
348. P/N LW-16012 Bolt is superseded by P/N LW-15996 on TIO-540-AB1AD engines only. P/N LW-16012 remains an active part number for other applications.
349. P/N LW-16073 Carburetor is superseded by P/N LW-16907 on O-235-L2C engines installed in CESSNA aircraft. P/N LW-16073 remains an active part number for other applications.
350. P/N LW-16341 Intake Pipe is superseded by P/N LW-18641 on AEIO-540-L1B5D engines installed in SOCATTA aircraft only. P/N LW-16341 remains an active part number for other applications.
351. P/N LW-16523 Support Assembly is superseded by P/N LW-16795 for use with a two bladed prop and by P/N LW-16796 for use with a three bladed prop. (TIO-540-S1AD engines.)
352. P/N LW-16529-S Crankcase Assembly is superseded by P/N LW-15608 on TIO-540-AB1AD engines and by P/N 11E20000-D2-S on O-540-L3C5D engines.
353. P/N LW-16577 Support Assembly is superseded by P/N LW-13675 on CESSNA O-235-L2C engine installations and by P/N LW-18694 on O-235-N2C engine installations.
354. P/N LW-16716 Tube is still available for use with P/N LW-13965 Turbocharger. Use newer tube P/N 02P21177 with P/N 46A21184 Turbocharger.
355. P/N LW-16800 Seat (Solid type) is replaced by P/N LW-11900 Seat (Allison type). Seats are not interchangeable. P/N LW-16800 Seats are still available in oversized configurations to service older cylinders that require this valve seat.
356. P/N LW-16840 Density Controller is superseded by P/N LW-10682 on TIO-540-AA1AD and TIO-540-AB1AD. P/N LW-16840 remains an active part number for other applications.
357. P/N LW-17281 Crankshaft Assembly is superseded by P/N LW-17286 on AEIO-360-B1G6 engines and by P/N 13B17281 on all other applications.
358. P/N LW-18456 Bracket is superseded by P/N LW-19104 for use with P/N LW-19087 Intercooler. P/N LW-18456 remains an active part number for use with original intercooler P/N LW-18822.
359. Use P/N 11F20021-D4-S Crankcase Assembly on installations utilizing front bed mounts. Use P/N 11F20021-D2-S on all other installations.
360. P/N LW-18556 Tube Assembly is superseded by P/N 17T19439 for use with new crankcase P/N 11F20021-L. P/N LW-18556 remains an active part for use with the older crankcase P/N LW-18541-1.
361. P/N LW-18654 Bypass Valve is superseded by P/N LW-18861 on TIO, LTIO-540-V2AD engines. P/N LW-18654 remains an active part number for other applications.
362. LW-18696 Tee is replaced by P/N 02G21055 Nipple on TIO-540-AE2A engines and by P/N LW-18999 on TIO, LTIO-540-V2AD engines. P/N LW-18696 remains an active part number for other applications.
363. Use P/N STD-2221 Nut with new P/N LW-19264 Pulley & Shaft Assembly. Use either P/N STD-2221 or P/N 676 Nut with the older P/N LW-18809 Pulley & Shaft Assembly.
364. Use P/N LW-10545-S Piston in place of P/N LW-19176-S in complete engine sets only, for individual piston replacement, use P/N 14D21953-S.
365. P/N LW-19225 Counterweight Assembly is superseded by P/N LW-19226 on applicable O and IO-540 direct drive engines and by P/N 14U22538 on all other applications.
366. P/N LW-15887 Exhaust Pipe is replaced by P/N LW-19347 on PARTENAVIA installations only. P/N LW-15887 remains an active part number of other applications.

## SECTION 2 NUMERICAL PARTS HISTORY NOTES

367. P/N 32C19562 Alternator Assembly is superseded by P/N 32C22527 on TIO-540-AE2A engines only. This is a change from 70 Amp to 75 Amp rated alternator. P/N 32C19562 remains an active part number for other applications.
368. P/N 12A19770 Bracket is superseded by P/N 12A21320 on TIO-540-AF1A engines only. P/N 12A19770 remains an active part number for other applications.
369. Service P/N 40B19939 Cover and P/N 40B19943 Pipe with P/N 40B22295 Tailpipe and Heater Assembly.
370. P/N 11F20022-D3 Crankcase Assembly is superseded by P/N 11F24022-D3-S-1 on TIO-540-S1AD and P/N 11F24022-D3-S on all other applications.
371. P/N 07A21030 Bracket is superseded by P/N 07A21292 on TIO-540-AF1A engine only. P/N 07A21030 remains an active part number for other applications.
372. P/N 21B21068-1 Housing Assembly is superseded by P/N 21B21601-01 on O-360-A1AD engines, by P/N 21B21601-02 on O-360-A1F6D, -A5AD; IO-360-A1B6D, -A3B6D, -A3D6D, -J1AD engines and by P/N 21B21601-03 on O-360-A1G6D engines.
373. P/N 21B21068-4 Housing Assembly is superseded by P/N 21B21603-01 on O-360-A1HD and by P/N 21B21603-02 on TO-360-C1A6D engines.
374. P/N 21D21069-1 Housing Assembly is superseded by P/N 21D21607-01 on O-540-H1B5D, -H2B5D, IO-540-M1B5D engines, by P/N 21D21607-02 on O-540-B2C5D, -B4B5D, -E4B5D, -G1A5D, -J1A5D, -J3A5D, -J3C5D, IO-540-C4B5D, -C4D5D, -K1G5D, -W1A5D, -T4A5D engines and by P/N 21D21607-03 on O-540-L3C5D engines.
375. P/N 21D21069-2 Housing Assembly is superseded by P/N 21D21608-01 on IO-540-U1A5D, TIO-540-J2BD (with long studs at vacuum pump pad), TIO-540-P2AD, and -R2AD engines. Also by P/N 21D21608-02 on TIO-C1AD, -S1AD, -V2AD engines, by P/N 21D21608-03 on IO-540-K1F5D engines, by P/N 21D21608-04 on TIO-540-F2BD, -J2BD engines (with short studs at vacuum pump pad); and by P/N 21D21608-06 on TIO-540-AB1AD engines.
376. P/N 21D21069-3 Housing Assembly is superseded by P/N 21D21609-01 on LTIO-540-F2BD, -J2BD, (with long studs at vacuum pump pad) and -R2AD engines and by P/N 21D21609-02 on LTIO-540-F2BD, -J2BD (with short studs at the vacuum pump pad) and by P/N 21D21609-3 on LTIO-540-V2AD engines.
377. P/N 67H21471 Harness is superseded by P/N 67H21476 on O-540-H1B5D, -H2B5D engines, IO-540-C4B5D, -K1F5D, -K1J5D, -N1A5D, -R1A5D engines and TIO-540-AA1AD, -C1AD, -K1AD engines and by P/N 67H21475 on all remaining applications.
378. P/N 67H21474 Harness is superseded by P/N 67H21477 on IO-540-M1A5D, -M1B5D, -U1B5D engines and by P/N 67H21478 on all remaining applications.
379. P/N 14H21950 Ring is superseded by P/N 14H21990 on TIO-540-AE2A engines only. P/N 14H21950 remains an active part number for other applications.
380. P/N 53E22013 Valve Assembly is added as an alternate to P/N 53E22144 for use on HIO-360-D1A engines installed in SCHWEIZER aircraft only. P/N 53E22144 remains an active part number for other applications.
381. P/N 78924 Manifold Assembly is superseded by P/N 63B22493 on IO-540-K1G5 only, P/N 78924 remains an active part number for other applications.
382. P/N 25C-14 Stud is superseded by P/N 25C-13 on sump assemblies installed on IO-540-J4A5 and IO-540-R1A5 engines only. P/N 25C-14 remains an active part number for other applications.
383. P/N 25-17 STUD is used with accessory housing covers P/N's 68440, 72553, and 72012 with non-flange oil inlet fitting. P/N 25-29 is used with accessory housing covers P/N's 73093, 73094, and 73095 for mounting new style oil pump with flange type oil inlet fitting.
384. P/N 31C-18 Stud is superseded by P/N 31C-17 when used at the prop governor pad on a crankcase and by P/N 31C-19 when used at the "AN" fuel pump pad on an accessory housing.

## SECTION 2 NUMERICAL PARTS HISTORY NOTES

385. P/N LW-163005-2 Magneto is superseded by P/N LW-163005-11 on IO-360-A1A, -A2A, -C1A, HIO-360-C1A, AEIO-360-A1A where a 15° retard is required and by P/N 66B21772 on all other applications.
386. P/N LW-384400-303 Harness is superseded by P/N LW-384405-303 on O-360-A1F6D and IO-360-A1B6D engines and by P/N LW-684400-303 on all remaining applications.
387. P/N LW-385124-106 Ignition System is superseded by P/N LW-385124-110 on IO-360-A1B6D engines where 20° timing is required; by P/N LW-385124-111 on O-360-A5AD, IO-360-C1CD, and IO-360-C1E6D engines and by P/N LW-685124-106 on all remaining applications.
388. P/N LW-385126-105 Ignition System is superseded by P/N LW-385126-107 on IO-540-K1A5D and IO-540-K1E5D engines when 25° advance timing is required and by P/N LW-685126-105 on all remaining applications.
389. P/N 1182-Q5 Spark Plug is superseded by P/N 1182-J7 on O-235-F2A and -F2B model engines only. P/N 1182-Q5 remains an active part number for other applications.
390. P/N 1182-L2 Spark Plug is superseded by P/N 1182-P2 on GO-480-D series engines and by P/N 1182-W2 on GO-480 low compression engines and GO-435 engines.
391. P/N LW-10098 Controller is superseded by P/N 48B21935 on TIO-540-AF1A engines only. P/N LW-10098 remains an active part number for other applications.
392. P/N LW-10578 Pulley & Shaft Assembly is superseded by P/N LW-19265. Use new nut P/N STD-2221 with new pulley and shaft assembly P/N LW-19265 and either P/N STD-676 old nut or P/N 2221 new nut with old assembly P/N LW-10578.
393. The new superseding accessory housing assembly is modified to comply with the requirements of S.I. 1110.
394. P/N 66531 Valve is superseded by P/N 69534 for use on low compression O-320 engines and by P/N 17B19712 on O-235 and O-290 engines.
395. LW-12798-4S130 Hose Assembly is superseded by P/N LW-12798-4S095 on TO-360-C1A6D and TO-360-F1A6D engines and by P/N LW-12798-4S150 on TIO-540, LTIO-540-V2AD engines. P/N LW-12798-4S130 remains an active part number for other applications.
396. P/N LW-12798-4S172 Hose Assembly is superseded by P/N LW-12878-4S200 on TIO-540-AE2A engines only. P/N LW-12798-4S172 remains an active part number for other applications.
397. P/N LW-12798-4S222 Hose Assembly is superseded by P/N LW-12799-6S222 on TIO-540, LTIO-540-V2AD engines for use between the exhaust bypass actuator and variable controller and by P/N LW-12799-6S070 on TIO-540-AE2A engines with revised oil filter cover. P/N LW-12798-4S222 remains in active part number for other applications.
398. P/N LW-14793 Gage Assembly is superseded by P/N LW-16783-11 on O-320-B2C engines installed on ROBINSON R-22 Aircraft. P/N LW-14783 remains an active part number for other applications.
399. P/N LW-15571 Starter is superseded by P/N LW-16460 on HIO-360-E1AD, -E1BD and -F1AD model engines only. P/N LW-15571 remains an active part number for other applications.
400. P/N LW-16471 Support Assembly is superseded by P/N 31M21951 on O-540-F1B5 engines installed in ROBINSON R-44 aircraft only. P/N LW-16471 remains an active part number for other applications.
401. P/N LW-16486 Intake Pipe is superseded by P/N LW-16706 on TIO-540-S1AD engines installed in PIPER TURBO SARATOGA aircraft only. P/N LW-16486 remains an active part number for other applications.
402. P/N 21F21070-1 Housing Assembly is superseded by P/N 21F21613-03 for use on IO-720-B1BD engines, by P/N 21F21613-01 on IO-720-D1CD engines when provisions for a hydraulic and turbo scavenge pump are required and by P/N 21F21613-02 on IO-720-D1CD applications equipped with a large hydraulic pump.

## SECTION 2 NUMERICAL PARTS HISTORY NOTES

403. P/N LW-163005-2 Magneto is superseded by LW-163005-11 on IO-360-A1A, -A2A, -C1A; HIO-360-C1A; AEIO-360-A1A engines and by P/N 66B21772 on all remaining installations.
404. P/N 73976-S Piston is superseded by the following pistons in complete engine sets only: P/N 74242-S, P/N 78762-S or P/N LW-10208-S. The superseding pistons P/N 74242-S, P/N 78762-S and P/N LW-10208-S are completely interchangeable.
405. P/N AN3-7 Bolt is superseded by P/N AN3-11 on TIO-540-S1AD engines only. This supersedure provides cable clearance on the injector lever by adding P/N LW-16733 Spacer and related parts. P/N AN3-7 remains an active part number for other applications.
406. P/N AN3-11 Bolt is superseded by P/N AN3-14, on TIO-541-E series engines, for use with P/N 78370 Spacer. P/N AN3-11 remains an active part number for other applications.
407. P/N AN3-14A Bolt is superseded by P/N LW-10-1.44 Bolt to increase clearance with linkage at the plate and lever location on the P/N LW-16610 Injectors installed on TIO-540-S1AD engines.
408. P/N AN4-20A Bolt is superseded by P/N STD-1879 on all applicable engines except IGO-540-A1A, -B1A, -B1B engines. P/N AN4-20A Bolt remains an active part number for these applications.
409. P/N AN6-13 Bolt is superseded by P/N AN6-16 at the front mounting hole of the P/N 07A19474 Bracket on all models using 12 Volt – 40, 50, and 60 Amp. Alternators; P/N AN6-13 remains an active part number for other applications.
410. AN6-14 Bolt is superseded by P/N AN6-12 when used with a York Freon Compressor Kit on TIO-540-A2B and -A2C engines and by P/N AN6-17 at the rear mounting hole of the P/N 07A19474 Bracket on all models using 12 Volt, -40, 50, and 60 Amp. Alternators. P/N AN6-14 remains an active part number for other applications.
411. One P/N AN7-41 Bolt and one P/N STD-2092 Washer are superseded by one P/N AN7-42 Bolt and two P/N STD-2092 Washers when changing from P/N 76906 Bracket to P/N 07A21443 Bracket.
412. P/N AN320-4 Nut is superseded by P/N STD-1409 Nut which is used with P/N LW-25S0.75 Bolt to attach the magneto drive idler gear to the hub assembly on the following models. VO-435-A1B, -A1C, -A1D, -A1E, -A1F, -B1A; TVO-435-A1A, -B1A, -F1A; GSO-480-A1A6, -A1C6, -B1A6, -B1B6, -B1C6, -B1E6, -B1G6, -B1F6, -B2D6; VO-540-A1A, -A2A, -B1A, -B1B, -B1B3, -B1C, -B1D, -B1F, -B2A, -B2C, -B2D, -C1A, -C1B, -C2A, -C2B; IVO-540-A1A; TVO-540-A1A; TIVO-540-A2A engines. P/N AN320-4 remains an active part number for other applications.
413. P/N AN500-416-10 Screw is superseded by P/N AN500A416-10 on O-235-C1, -C1B; IO-360-A2B; VO-435-B1A engines and by STD-1925 on O-320-E2C and AIO-360-A1A, -A1B, -B1B engines.
414. P/N AN735-28 Clamp is superseded by P/N 72036 on IO-360-B1A engines only. P/N AN735-28 remains an active part number for other applications.
415. P/N AN737TW82 Clamp is superseded by P/N STD-1530 on O-320-H2AD engines, by P/N LW 15592-8-32 on O & LO-360-E1A6D; TIO-360-A1B; IGO-540-A1A, -B1A, -B1B engines and by P/N AN737TW91 on TO-360-C1A6D engines.
416. P/N AN737TW-107 Clamp is superseded by P/N AN737TW-114 on TO-360-C1A6D engines only. P/N AN737TW-107 remains an active part number for other applications.
417. P/N AN737TW-114 Clamp is superseded by P/N LW-12553 on TIO, LTIO-540-J2BD engines, by P/N STD-1241 on TVO-435-D1A engines, and by P/N LW-15592-8E48 on all remaining applications.
418. P/N AN815-6 Union is superseded by P/N AN837-6 on IO-360-B1E, -C1C engines utilized in PIPER AIRCRAFT installations, by P/N 72377 on TIO-541-A1A engines and by P/N 75739 on IO-360-C1D6; IO/LIO-360-C1E6; HIO-360-B1A, -C1A engines. P/N AN815-6 remains an active part for other applications.
419. P/N AN816-6D Nipple, with N.P.T. threads, is used on governor adapters P/N 69000 and P/N 68531. P/N 75739 Nipple, with straight threads, is used on newer adapters P/N 75153 and P/N 75545.

## SECTION 2 NUMERICAL PARTS HISTORY NOTES

420. P/N AN822-4-4 Elbow is superseded by P/N 75252 on IO-320-B1A engines, by AN822-6 on HIO-360 -E1AD; TIO-541-E1C4, -E1D4 engines, by AN822-4 on TIO-540-A1A engines and by P/N MS20822-4-4 on all other applications.
421. P/N AN822-6 Elbow is superseded by P/N 76704 on TIO-541-E1C4, -E1D4 engines and by P/N MS20822-6 on all remaining applications.
422. P/N AN823-4 Elbow is superseded by P/N AN823-6 on TIO-540-A1A, -A1B, -A2A, -A2B, -A2C, and -F2BD engines with stainless steel turbocharger P/N LW-12689 and by P/N MS20823-4 on all remaining applications.
423. P/N AN824-4 Tee is superseded by P/N AN824-6 on TIO-540-A1A, -A1B, -A2A, -A2B, -F2BD engines with stainless steel turbocharger P/N LW-12689 and by P/N 02A21047 on TIO-540-AE2A engines. P/N AN824-4 remains an active part number for other applications.
424. P/N AN833-3 Elbow is superseded by P/N 75252 on TIO-540-AA1AD and TIO-540-K1AD engines only. P/N AN833-3 remains an active part number for other applications.
425. P/N AN840-10D Adapter is superseded by LW-16999 on TIO-540-A series engines only. P/N AN840-10D remains an active part number for other applications.
426. P/N AN840-12D Fitting is superseded by P/N AN840-16D on TIO, LTIO-540-J2B engines only. AN840-12D remains an active part number for other applications.
427. P/N AN844-10D Elbow is superseded by P/N 71140 on O-360-A4N engines only. P/N AN844-10D remains an active part number for other applications.
428. P/N MS20822-3 Elbow is superseded by P/N MS20823-3 on TIO, LTIO-540-V2AD engines, by P/N 77915 on TIO-540-C1A, -C1AD and by P/N 02A21380 on TIO-540-E1A and TIO-540-H1A engines. P/N MS20822-3 remains an active part number for other applications.
429. P/N MS20822-4 Elbow is superseded by P/N 78067 on TIO-540-AF1A engines; P/N MS20822-4 remains an active part number for other applications.
430. P/N MS20822-6-2 Elbow is superseded by P/N AN914-1 on TIO-540-S1AD engines only. P/N MS20822-6-2 remains an active part number for other applications.
431. P/N MS20822-8 Elbow is superseded by P/N MS20823-8 on IO-540-S1A5 engines only. P/N MS20822-8 remains an active part number for other applications.
432. P/N MS20822-10 Elbow is superseded by P/N 77155 on IO-540-L1B5D engines. P/N MS20822-10 is used with older sump assemblies that require a fitting with NPT threads. P/N 77155 Elbow has straight threads for use on newer sump assemblies.
433. P/N MS20823-4 Elbow is superseded by P/N LW-14259 on TIO-540-AA1AD engines, by P/N 02A22619 on TIO-540-AJ1A engines, and by P/N MS20822-4 on TIO-540-AB1AD engines. P/N MS20823-4 remains an active part number for other applications.
434. Use P/N MS124662 Insert with superseded accessory housing P/N's LW-10913, LW-10915, and LW-10918. Use P/N LW-12589 Insert with newer accessory housing part numbers LW-10916, LW-10917, and LW-10919.
435. P/N STD-28 Washer and P/N STD-692 Screw are replaced by P/N STD-425 Washer and P/N STD -860 Screw on IO-540-A1A5 and IO-540-C1B5 engines only. P/N STD-28 and P/N STD-692 remain active part numbers for other applications.
436. P/N STD-33 Washer is superseded by P/N STD-690 on all applications except O-320 and O-360-“76” series engines which use P/N STD-2191 Washer on the engine mounts instead of P/N STD-33.
437. P/N STD-61 Nut is superseded by P/N STD-1035 on TIO-541-E series engines. P/N STD-61 remains an active part number for other applications.
438. P/N STD-71 Plug is superseded by P/N STD-784 on O-320-A1A, -A1B, -A2A, -A2B, -A2C, -A3A, -A3B, -A3C engines only. P/N STD-71 remains an active part number for other applications.
439. P/N STD-143 Washer is superseded by STD-2181 when used on TIGO-541-E crankcase attaching parts. P/N STD-143 remains an active part number for other applications.

## SECTION 2 NUMERICAL PARTS HISTORY NOTES

- 440. P/N STD-151 Dowel is superseded by P/N STD-1392 when used on VO-435-A1B, -A1C and -A1D engines. STD-151 is no longer available for other applications.
- 441. P/N STD-375 Screw is superseded by P/N STD-1896 when used with P/N LW-10468 or P/N LW-13437 Air Valve Assembly on TIO-540-A series engines and by P/N AN500A10-8 when used to attach the breather baffles on VO, TVO-540 engines. P/N STD-375 remains an active part number for other applications.
- 442. P/N STD-514 Dowel is superseded by P/N STD-2035 on TIO-541-E series engines only. P/N STD-514 remains an active part number for other applications.
- 443. P/N STD-676 Nut is superseded by P/N STD-2221 on AEIO-360-B1F engines only. P/N STD-676 remains an active part number for other applications.
- 444. P/N STD-700 Elbow is superseded by P/N MS20822-6 when used with a propeller governor oil line. P/N STD-700 remains an active part number for other applications.
- 445. P/N STD-761 Pin is superseded by P/N MS9047-077 on TIGO-541-E1A engines and by P/N STD-713 at the magneto nut location on all models. P/N STD-761 remains an active part number for other applications.
- 446. P/N STD-860 Screw is superseded by P/N STD-692 on TIO-540-A series engines. P/N STD-860 remains an active part number for other applications.
- 447. P/N STD-872 Nut is superseded by P/N 71950 at the connecting rod nut location on applicable engines. P/N 74646 Nut supersedes P/N STD-872 when used to attach the ring gear assembly to the crankshaft on applicable engines. P/N STD-872 remains an active part number for other applications.
- 448. P/N STD-896 Bolt is superseded by P/N AN4-4A on TVO, TIVO-540 engines and by P/N AN501-416-10 on all remaining applications.
- 449. P/N STD-969 Screw is superseded by P/N STD-860 on IO-540-B1A5, -E1A5 engines. P/N STD-969 remains an active part number for other applications.
- 450. Use P/N 01N19833-218 Plug-Pin instead of STD-1037 Dowel in P/N LW-19082 and LW-19271 Adapter Assemblies on TIO-540-W2A engines. P/N STD-1037 remains an active part number for other applications.
- 451. P/N STD-1111 Elbow is superseded by P/N AN842-12D on O-235 engines, and by P/N STD-2232 on VO, IVO-360 engines.
- 452. P/N STD-1114 Screw is superseded by P/N LW-25SS-1.50 on TIO, LTIO-540 V2AD engines and P/N LW-25H-1.50 on all other applications.
- 453. P/N STD-811 Screw is superseded by P/N STD-1230 on the following supercharged engines when used to attach the supercharger pipe to the supercharger. GSO-480-A1A6, -A1C6, -B1A6, -B1B6, -B1C6, -B1E6, -B1F6, -B1G6, -B2D6; IGSO-480-A1A6, -A1B6, -A1C6; IGSO-540-A1A, -A1C, -B1A. P/N STD-811 remains an active part number for other applications.
- 454. P/N STD-1177 Dowel is superseded by P/N STD-1774 on all applicable O-235, O-320, and O-360 engines. P/N STD-1177 remains an active part number for other applications.
- 455. P/N STD-1203 Bolt is superseded by P/N STD-1817 on applicable O-235 and O-320 engines. P/N STD-1203 remains an active part number for other applications.
- 456. P/N STD-1211 Plug is superseded by P/N 77416 on O-360-C2D, HO-360-B1A and B1B, HIO-360-A1A and B1A engines installed in HUGHES aircraft. P/N STD-1211 remains an active part number for other applications.
- 457. P/N STD-1215 Bolt is superseded by P/N STD-1419 on TIO-360-C1A6D engines and by P/N LW-25-1.25 on all other applications.
- 458. P/N STD-1342 Washer is superseded by P/N STD-2032 on TIO, LTIO-540-V2AD, and TIO, LTIO-540-W2A engines only. P/N STD-1342 remains an active part number for other applications.

## SECTION 2 NUMERICAL PARTS HISTORY NOTES

459. P/N STD-1410 Nut is superseded by P/N STD-1420 on TIO-360-C1A6D engines to allow use of a cotter pin instead of a lock washer to attach the turbo bracket to the crankcase. Use with P/N STD-1861 Bolt and P/N AN381-2-10 Cotter Pin. P/N STD-2218 is a lock nut that is utilized at exhaust pipe locations instead of a P/N STD-1410 Nut and STD-475 Washer. P/N STD-1410 remains an active part number for other applications.
460. P/N STD-1525 Bolt is superseded by P/N STD-1958 on TIO-541-E series engines and by P/N LW-38H1.31 on all other applications.
461. P/N STD-1566 Screw is superseded by P/N STD-1501 on TIO-540-S1AD engines only. This allows use of lock washers instead of safety wire to mount the pop off valve. P/N STD-1566 remains an active part number for other applications.
462. P/N STD-1576 Hose is superseded by P/N 71703 on VO-435-A1C, -A1D, -A1E and VO-540-A1A engines. P/N STD-1576 remains an active part number for other applications.
463. P/N STD-1679 Bolt is superseded by P/N 779 when used to attach the transformer coil brackets on applicable GSO-480, IGSO-480, IGO-540, IGSO-540 engines. P/N STD-1679 remains an active part number for other applications.
464. P/N STD-1698 Ring is removed from service on all models when P/N 75026 Adapter Assembly which employs P/N 74412 Retaining Plate is used to secure the accessory idler gear bearing.
465. P/N STD-1733 Ring is superseded by STD-1880 as described in Service Instruction No. 1329. P/N STD-1733 remains an active part number for other applications.
466. P/N STD-1748 Bolt is superseded by P/N 68083 on GO-435-C2 and C2B engines only. P/N STD-1748 is no longer available for other applications.
467. Use P/N STD-1768 Plug with superseded Oil Pump Body Assembly P/N LW-11245. Use P/N STD-2187 Plug with superseding Oil Pump Body Assembly P/N LW-15567. P/N STD-1768 Plug remains an active part number for other applications.
468. P/N STD-1815 Nut is superseded by P/N STD-1420 on O-235-C1, -C1B and O-320-A and -B series engines. P/N STD-1815 remains an active part number for other applications.
469. P/N STD-1821 Hose is superseded by P/N STD-347 on IO-360-A1A and IO-540-A1A5 engines only. P/N STD-1821 remains an active part number for other applications.
470. P/N STD-1830 Bolt is superseded by P/N STD-1944 on AIO-320 and AIO-360 series engines, by P/N STD-1843 on GO-480-C1B6, -G1B6, and GSO-480-A1A6 engines and by P/N LW-25-3.00 on all remaining applications.
471. P/N STD-1838 Screw is superseded by P/N LW-31-0.94 on all applications, except, P/N STD-1838 remains active for use with P/N 77756 Alternator Bracket.
472. P/N STD-1889 Screw is superseded by P/N STD-2120 when used with P/N LW-18759 Alternator Bracket and by P/N LW-31H1.22 on remaining applications.
473. P/N STD-1930 Hose is superseded by P/N 02M19799 on TIO-540-A1A, -A1B, -A2A, -A2B, -A2C, -F2BD, -J2B, -J2BD, -N2BD, -R2AD, -V2AD; LTIO-540-F2B, -F2BD, -J2B, -J2BD, -N2BD, -R2AD, -V2AD. P/N STD-1930 remains an active part number for other applications.
474. P/N STD-1946 Bolt is superseded by P/N STD-1592 when used to attach the turbocharger oil inlet adapter on applicable TIO-540 series engines. P/N STD-1946 is superseded by P/N LW-38-0.88 on all other applications.
475. P/N STD-1996 Bolt is superseded by P/N STD-1115 when P/N 77817 Bracket is used to provide clearance for a compressor drive belt.
476. P/N STD-2031 Bolt is superseded by P/N STD-2060 when used to attach the turbocharger mounting bracket to the turbocharger on TIO-360-A1B engines and by LW-31-1.09 on all remaining applications.
477. P/N STD-2037 Bolt is superseded by P/N STD-2128 where self sealing bolts are required as shown in Service Instruction No. 1248 and by P/N LW-38-4.69 at all other applications.



## SECTION 2 NUMERICAL PARTS HISTORY NOTES

478. P/N STD-2044 Nut is superseded by P/N MS21043-4 for use in the following exhaust manifold kits: LW-14608, 05K19650-S, 05K21056 and 05K21503. P/N STD-2044 remains an active part number for other applications.
479. P/N STD-2059 Screw is superseded by P/N STD-1925 when used to attach rocker box covers. P/N STD-2059 remains an active part number for other applications.
480. P/N STD-2079 Nut is too thin and does not provide wrench clearance with the exhaust manifold welding on TIO-541-E series and TIGO-541-E series engines. Use longer Stud P/N 25C-10 and thicker Nut P/N STD-2044 instead of P/N 25C-09 Stud and P/N STD-2079 Nut.
481. P/N STD-2117 Clamp is superseded by P/N STD-1252 on O-320-H1AD engines, by P/N STD-2188 on O, LO-360-E1AD engines and by P/N LW-15592-8-08 on TO-360-C1A6D engines.
482. P/N 75772 Shroud Tube is no longer available, use P/N 68987 Shroud Tube and attaching parts as described in the latest revision of Service Instruction No. 1277.
483. P/N E1199-602-1200 Conduit Assembly was used at the top spark plug position of No. 3 and No. 6 cylinders on applicable engines. Use P/N 59281 on No. 3 top and P/N 59277 on No. 6 top positions of applicable engines.
484. P/N MS20823-6 Elbow is superseded by P/N AN822-6 on IO-540-K1A5D engines, by P/N MS20822-6 on IO-540-K1K5 engines and by P/N MS20823-4 on TIO-540-AA1AD engines. P/N MS20823-6 remains an active part number for other applications.
485. P/N STD-2 Nut is superseded by P/N STD-1013 when used to attach the carburetor on VO-540-B1A, -B2A, -B1B, -B1B3, -B1C, -B2C model engines. P/N STD-2 remains an active part number for other applications.
486. P/N STD-68 Pin is superseded by STD-164 lockwire when used to secure the bottom crankcase attaching nuts on applicable engines.
487. P/N STD-1858 Bolt is superseded by P/N STD-1838 to provide a stronger generator mounting bolt on the following engines: O-540-A1A, -A1A5, -A1B5, -A1C5, -A1D, -A1D5, -A2B, -A2D, -A3D5, -B1A5, -B2A5, -B2B5, -F1A5, -F1B5; IO-540-A1A5, -B1A5, -C1B5, -E1A5, -G1A5 and IO-720-A1A. P/N STD-1858 is superseded by P/N LW-31H-0.88 on all remaining applications.
488. P/N STD-1862 Bolt is superseded by P/N STD-2073 when used with P/N 78459 Generator Bracket on TIO-541-E1A4 and -E1B4 engines. P/N STD-1862 is superseded by LW-25H-1.37 on all remaining applications.
489. P/N STD-1885 Bolt is superseded by P/N STD-1948 as described in Service Instruction No. 1415 and by P/N LW-25-1.64 on all remaining applications.
490. P/N STD-2060 Bolt is superseded by P/N STD-2157 on TIO-541-E1C4, -E1D4 and TIGO-541-E1A engines when used to attach P/N 72780 Bracket to the turbocharger exhaust housing and by P/N LW-31SS-1.00 at all remaining applications.
491. P/N STD-2100 Bolt is superseded by P/N LW-31S4.72 when used to attach P/N LW-15952 Support Assembly instead of P/N 75323 Support Assembly to TIO-540-A1A, -A1B, -A2A, -A2C engines.
492. P/N STD-2188 Clamp is superseded by P/N LW-15592-5-04 on TIO-540-C1A and TIVO-540-A2A engines and by P/N LW-15592-5-05 on all remaining applications.
493. **P/N LW-38-0.75 Bolt is superseded by P/N LW-38-1.00 on TO-360-E and LTO-360-E series engines to facilitate assembly of the turbocharger oil drain. P/N LW-38-0.75 remains an active part number for other applications.**
494. **P/N 76487 Accessory Housing Assembly can be converted to P/N 21A21196 Accessory Housing Assembly by replacing the P/N 71650 Shield with the P/N 22E19711 Shield. This allows the accessory housing to be used with a new integral camshaft. Refer to S.I. 1439.**
495. **P/N 76800 Accessory Housing Assembly can be converted to P/N 21A21197 Accessory Housing Assembly by replacing with P/N 71650 Shield with the P/N 22E19711 Shield. This allows the accessory housing to be used with a new integral camshaft. Refer to S.I. 1439.**

## SECTION 2 NUMERICAL PARTS HISTORY NOTES

496. P/N LW-15506 Fuel Pump is superseded by P/N LW-11166 on HIO-360-E1AD, HIO-360-E1BD, HIO-360-F1AD and TIO-360-C1A6D and by P/N 62D22574 on all other applications.
497. P/N AN816-3 Nipple is superseded by P/N AN823-3 Elbow on all applications except TIO-541-E1A4 and -E1B4 and TIO, LTIO-540-W2A.
498. P/N STD-1133 Dowel is superseded by P/N STD-2104 to introduce a longer dowel in the following models: IO-360-F1A, TIO-360-A1B, and TIO-540-C1A. P/N STD-1133 remains an active part number for other applications.
499. P/N 74167 Camshaft is replaced by P/N 74792 on O-290 Series engines and by P/N LW-13222 on all remaining applications.
500. P/N 61826 Ring is superseded by P/N 68115 on O-290-D engines and by P/N 71555 on all remaining applications.
501. P/N 62397 Housing Assembly is superseded by P/N 68800 on O-235-C1 engines and by P/N 68790 on O-290-D and -D2 engines.
502. P/N 69952 Starter is superseded by P/N 76210 on all applications except O-340 series engines. To reduce the number of starters and eliminate direct drive starters on O-340 engines P/N 74092 Starter with 12/14 pitch-pinion gear replaces P/N 69952 Starter with 10/12 pitch-pinion gear.
503. To reduce the number of starters and eliminate direct drive starters on O-340 engines, P/N 72462 Starter with 12/14 pitch-pinion gear replaces P/N 69953 Starter with 10/12 pitch-pinion gear. P/N 69953 Starter is no longer available for other applications.
504. P/N 75044 Cylinder Assembly is superseded by P/N 75317 on O-320-A and E series and by P/N 75042 on O-320-B and D series engines.
505. P/N LW-12798-4S111 Hose Assembly is superseded by P/N LW-12798-4S095 on TIO-360-C1A6D engines with P/N 46A21184 Turbocharger only. P/N LW-12798-4S111 remains an active part number for other applications.
506. P/N LW-12798-4S313 Hose Assembly is superseded by P/N LW-12798-4S340 on TIO-540-AB1AD engines with P/N MS20823-4 Elbow which is used to provide clearance between the turbo strut and turbo oil inlet fitting. P/N LW-12798-4S313 remains an active part number for other applications.
507. P/N 71328 Support Assembly is superseded by P/N 72565 when going to 12/14 pitch gear starters interchangeable in engine set (Starter & Support Assy).
508. P/N 72306 Bracket is superseded by P/N 12A19770 except on IO-540-K1J5, -S1A5, -AA1A5; TIO, LTIO-540-U2A engines. P/N 72306 remains an active part for these engines for use in the Piper Aerostar.
509. P/N 06A23460 Seal Shroud Tube is superseded by P/N 06A23493 except on TIO-540-J2B, -J2BD, LTIO-540-J2B, -J2BD. P/N 06A23460 remains an active part for these engines.
510. LW-25-180 superseded only on 540 series engine produced for Cessna.
511. STD-1864 superseded only on 235 and 320 wide cylinder flange engine series.
512. LW-13383 superseded only on 540 and 580 engine series.
513. LW-14077 replaced by LW-14078 but may be reused on in-field overhauls or repairs.
514. 69650, LW-13444, LW-12383 AND LW-13446 may not be reused on in-field overhauls or repairs.
515. When replacing individual cylinders, replace both with plug 60828, in complete engine, replace all with P/N 72198.
516. Remove from service. Replace both pin plugs in cylinder with Piston Pin Plug P/N 72198.

## SECTION 2 NUMERICAL PARTS HISTORY NOTES

- 517. **P/N LW-16740 Exhaust Valve (Rotator Type) Superseded by 17B23935 requiring LW-11956 Intake Valve Guide. This change necessary due to unavailability of LW-16740 valve.**
- 518. **P/N LW-13622 Intake Valve (Rotator Type) replaced by 17A23937 requiring LW-11958 Exhaust Valve Guide (Ni-Resist). This change is necessary due to unavailability of LW-16740 valve.**
- 519. **LW-18753-S Valve Guide Superseded by 16R21709 on LTIO, TIO-540-V2AD, -W2A Only.**
- 520. **LW-14045 Valve Guide Superseded by 16R21705 on TO-360-C1A5D and TIO-360-C1A6D.**
- 521. **Service Rings for Chrome Cylinders**
- 522. **72022 (2) 70416 (2) Roller-Dynamic Counterweight**
- 523. **70416 (4) Roller-Dynamic Counterweight**
- 524. **72965 (2) 72797(2) Roller-Dynamic Counterweight**
- 525. **76788 (2) LW-15558 (2) Roller-Dynamic Counterweight**
- 526. **Old part numbers may be used interchangeably with equivalent new part number, except on O-235 engines, refer to latest revision of SI 1480.**
- 527. **P/N 53E22144 – Product Improvement (Locking Crimp on Temp Control Valve Assy. Nut) See also latest revision of S.I. 1255**
- 528. **LW-31-2.50 - Models 360, 541, and 720**
- 529. **ST-266 Designed for use on the TIO-541-E and the TIGO-541E series engines.**
- 530. **O-235 Crankcase replacement with the upgraded design is not mandatory. Service Letter L248 introduces the upgraded design.**
- 531. **Remains a Serviceable Part for 435-480-GO-IGO-IGSO-540-S**